



Kit #10015144

Kit #10034532

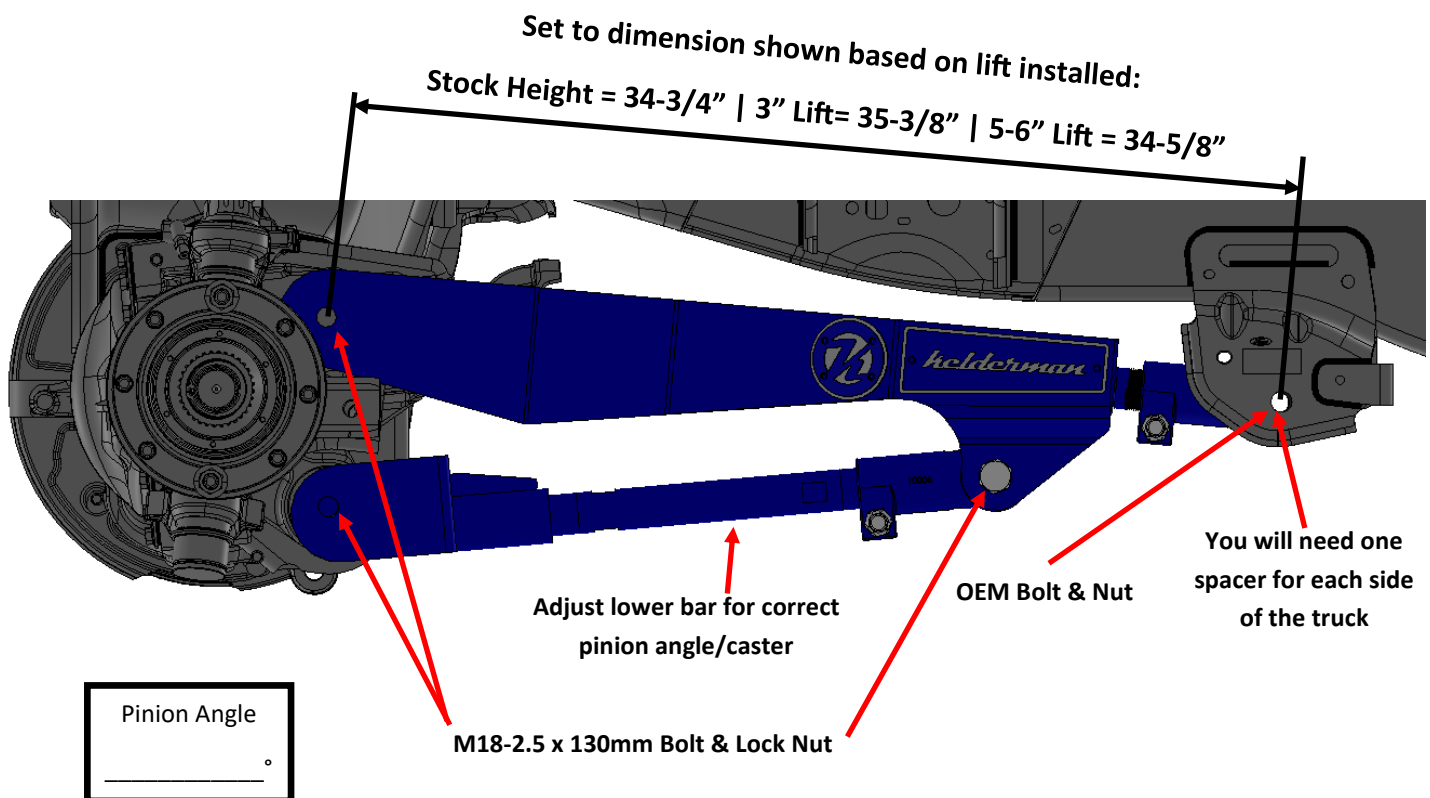
2686 Highway 92—Oskaloosa, IA 52577

Phone: 800.334.6150

www.kelderman.com

2023+ Ford Radius Arm Installation Instructions

Measure from upper front hole to center of the knuckle. Thread the knuckle to set length to values below. You will use the OEM bolts and nuts on the rear hole. Make sure to use the spacer 10015110 on the knuckle end of the radius arm.



Record factor pinion angle for reference. You will adjust the lower bag to match the factory pinion angle/caster. Adjust the threaded bar clockwise to extend and counter-clockwise to retract. Torque the M18 and factory bolts to 150 ft-lbs. Its recommended to have the truck aligned after installation.