

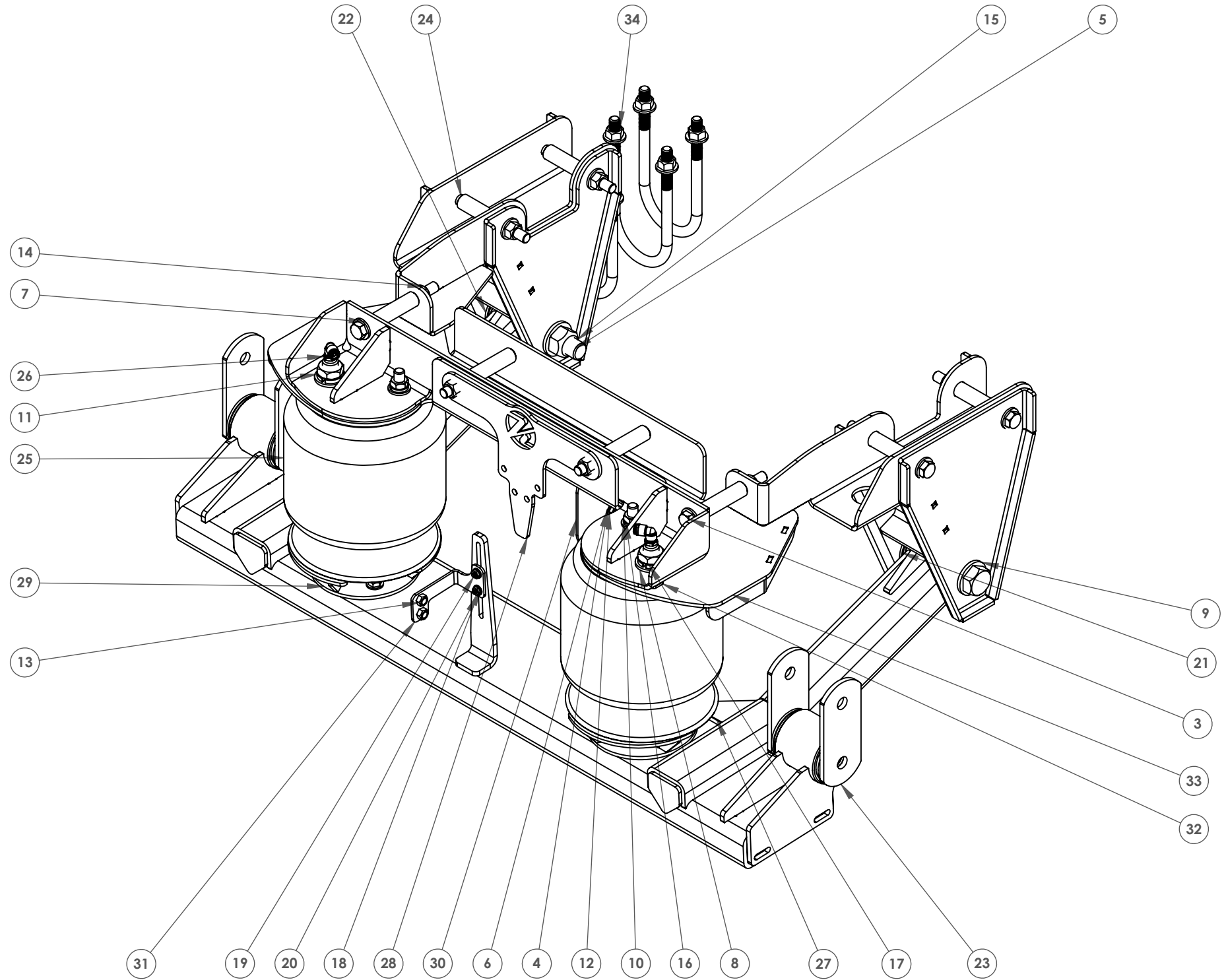
4

3

2

1

ITEM NO.	PART NUMBER	DESCRIPTION	QTY.
1	12007	Bolt - 1/2"-20 x 1.50" Gr.8	2
2	12020	Hex Bolt - 1/2"-13 x 3" - GR5 - Z	2
3	12037	Bolt - 1/2"-20 X 5" Gr.8	8
4	12110	Bolt - 1/4"-20 x 1" - Gr.5	2
5	12631	Bolt - 7/8"-14 X 5 1/2" - GR8	2
6	13000	1/4" Flat Washer	4
7	13004	Flat Washer USS - 1/2" - Z	24
8	13008	Flat Washer USS - 3/4" - GR5 - Z	2
9	13030	Flat Washer SAE - 7/8" - GR8 - YZ	4
10	13050	1/2" Lock Washer	4
11	13056	3/4" Lock Washer	2
12	13100	Nut - Locking - 1/4" - 20 - GR5	2
13	13101	Lock Nut - 5/16"-18 Gr.5 - YZ	2
14	13104	Lock Nut - 1/2"-13 - Gr.5	10
15	13130	Lock Nut - 7/8"-14 - Gr.8 - YZ	2
16	13144	Hex Nut - 1/2"-13 - Gr.5	2
17	13208	Jam Nut - 3/4"-16 - GR5 - Z - (RHT)	2
18	14062	FLAT WASHER - SAE - #10	4
19	14096	Hex Head Machine Screw - #10-24x3/4"	2
20	14097	Hex Nut: #10-24 - GR5 - Z	2
21	20802	Weldment - Top Frame Swing Arm Mount (PS)	1
22	20803	Weldment - Top Frame Swing Arm Mount (DS)	1
23	20807	Weldment - Shackle Link - 3.44"	4
24	20812	Bushing - L 3-1/8" ID 17/32 OD 3/4"	4
25	80012-5323	Air Bag - Firestone 5323	2
26	80094	90° Male Elbow Tube 1/4" x 1/4-18 NPT	2
27	10012182	Assemblby - 2" Lift Swing Arm	1
28	10012820	Plate - 7ga - Magnet Sensor Bracket	1
29	10013015	Weldment - 1-5/8" Bag Riser (5323)	2
30	10013114	Plate - 11ga - Haldex Sensor Adaptor Plate - Frame Side - w/Bends	1
31	10013116	Plate - 11ga - Haldex Sensor Adaptor Plate - Swing Arm Side - w/Bend	1
32	10013120	Weldment - Top Frame, Upper - 5323 Bag	1
33	10013122	Weldment - Top Frame, Lower - 5323	1
34	10013429	Kit - U-Bolts - CE8 1.4" Riser Block Elimination	1



						B DO NOT SCALE DRAWING 1:12 Approximate Weight = 158.87 lbs
				UNLESS OTHERWISE SPEC. DIMNS. IN INCHES STD. TOLERANCES X.X ±.060 X.XX ±.030 X.XXX ±.010 FRAC. DIM. ±1/32" Deg. ±.5°		MATL SPECS: DESCRIPTION: Kit - 2" Lift - 2-Stage Rear - 4WD PROJECT: 2014+ Mercedes-Benz Sprinter Van - 3500 - DRW - 170" WB PART NUMBER: 10013632 DESIGN BY: _____ DATE: 12/7/2022
REV	ECN	CHANGE DESCRIPTION	CHANGE BY	DATE	NOTICE: THIS DOCUMENT AND ITS CONTENTS ARE THE PROPERTY OF KELDERSMAN MFG. NO USE OR COPIES MAY BE MADE WITHOUT WRITTEN PERMISSION FROM KELDERSMAN	



SHEET 1 OF 1

4

3

2

1

B

B

A

A