



# Alpha Series Front Bumper Installation Manual

---

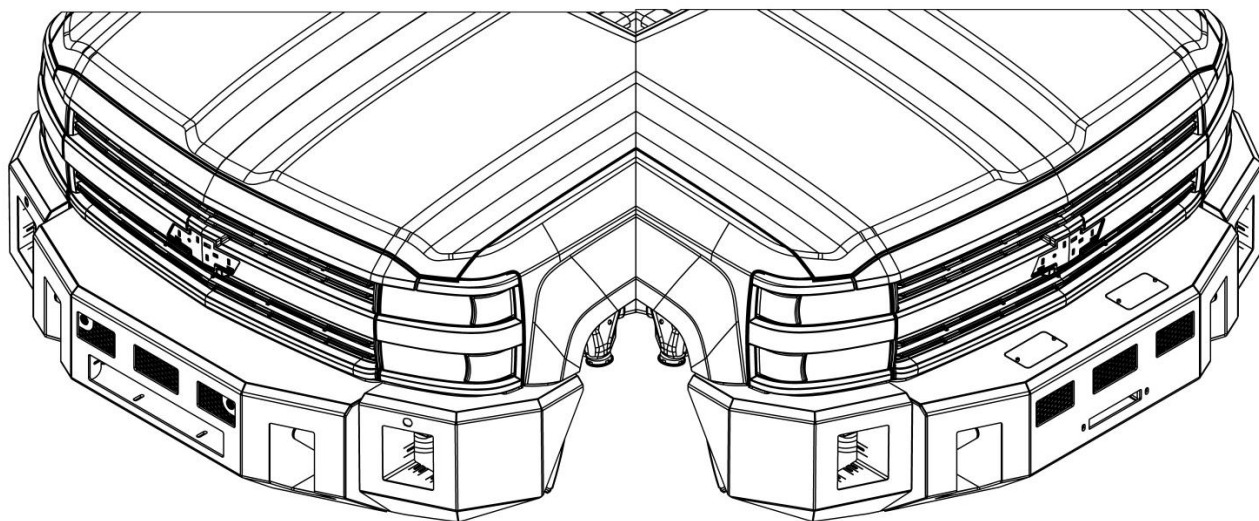
- 2015-2019 Chevrolet Silverado 2500-  
3500 HD

---

---

# Kelderman Alpha Series Front Bumper

---



## Light Winch

### - Contents

- Kit Numbers..... (3)
- Introduction..... (4)
- Safety..... (5)
- Bumper Removal ..... (6)
- Bumper Preparation ..... (9)
- Bumper Assembly..... (10)
- Bumper Installation.....(14)
- Parts Key.....(16)
- Contact Information.....(18)

---

# Kit Numbers

---

- This installation manual covers the following front bumpers.

Kit Number	Description
KLM-400002015-001010000	Silverado 2500 HD – Alpha Light – Sensors – Stock Width
KLM-400002015-001020000	Silverado 2500 HD – Alpha Winch – Sensors – Stock Width
KLM-400002015-001011700	Silverado 2500 HD – Alpha Light – Sensors – Wide Width
KLM-400002015-001021700	Silverado 2500 HD – Alpha Winch – Sensors – Wide Width
KLM-400002015-002010000	Silverado 2500 HD – Alpha Light – No Sensors – Stock Width
KLM-400002015-002020000	Silverado 2500 HD – Alpha Winch – No Sensors – Stock Width
KLM-400002015-002011700	Silverado 2500 HD – Alpha Light – No Sensors – Wide Width
KLM-400002015-002021700	Silverado 2500 HD – Alpha Winch – No Sensors – Wide Width
KLM-400003015-001010000	Silverado 3500 HD – Alpha Light – Sensors – Stock Width
KLM-400003015-001020000	Silverado 3500 HD – Alpha Winch – Sensors – Stock Width
KLM-400003015-001011700	Silverado 3500 HD – Alpha Light – Sensors – Wide Width
KLM-400003015-001021700	Silverado 3500 HD – Alpha Winch – Sensors – Wide Width
KLM-400003015-002010000	Silverado 3500 HD – Alpha Light – No Sensors – Stock Width
KLM-400003015-002020000	Silverado 3500 HD – Alpha Winch – No Sensors – Stock Width
KLM-400003015-002011700	Silverado 3500 HD – Alpha Light – No Sensors – Wide Width
KLM-400003015-002021700	Silverado 3500 HD – Alpha Winch – No Sensors – Wide Width

---

# Introduction

---

- **Important**

It is important that the entire installation instructions be read thoroughly before proceeding with bumper installation.

- **Product Installer Responsibilities**

Installer is responsible for installing this product in accordance with Kelderman Mfg. Inc. specifications and installation instructions.

Installer is responsible for providing proper installation of vehicle components and attachments as well as required or necessary clearance for suspension components, axles, wheels, tires, and other vehicle components to ensure a safe and sound installation and operation of this product.

- **Product Owner Responsibilities**

Owner is solely responsible for pre-operation inspection, periodic inspections, maintenance, and use of the product as specified by Kelderman Mfg. Inc. Of particular importance is the re-torque of fasteners. This re-torque must be performed within 90 days or 1000 miles of this product being put into service.

- **Definition of Terms**

- **Warning:** Indicates a potentially hazardous situation which, if not avoided, could result in death or serious injury.
- **Caution:** A potential hazardous situation may result in property damage.
- **Note:** Provide information or suggestions that help correctly perform a task.
- **Torque:** When italicized "*torque*" alerts the installer to tighten fasteners to a specified value.

---

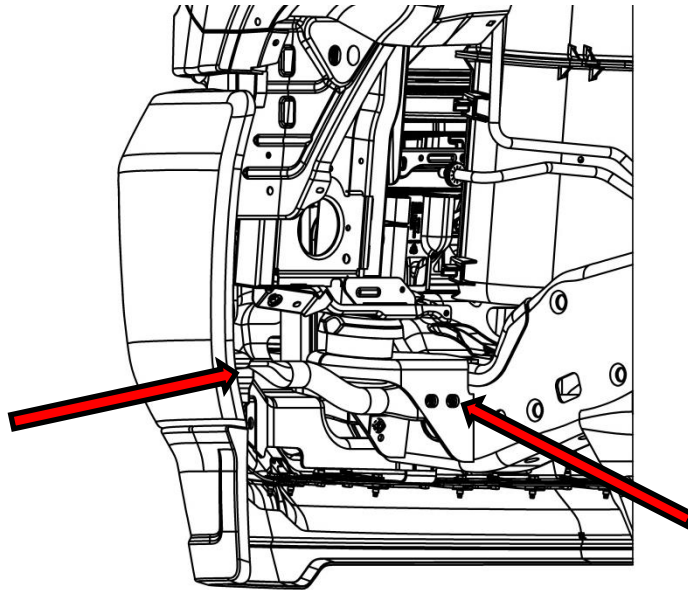
# Safety

---

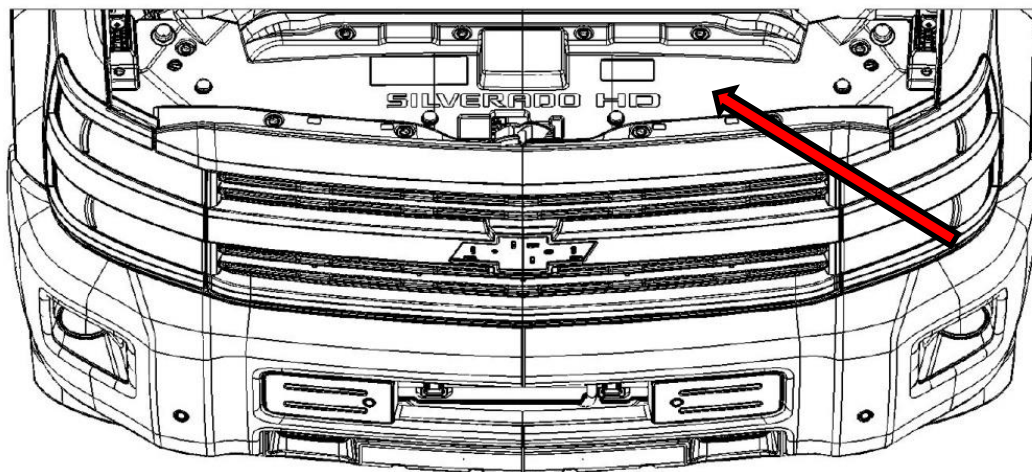
- **Your Safety and the Safety of Others is Very Important.**  
Read and understand all safety precautions and instructions before installing this product.
  
- **CAUTION: Trucks Equipped with Parking Sensors or Other Like Devices.**  
Relocation of these devices will alter the field of view. It is the responsibility of the owner to understand how these changes affect the operation of these systems.
  
- **This Product is Intended for Off-Road Use**  
All liability for installation and use rests with the owner.
  
- **WARNING: Careless Installation Can Result in Serious Injury or Property Damage**
  - Wear eye protection.
  - Disconnect the battery before doing any work on the vehicle.
  - Work on flat level ground.
  - Ensure truck is properly supported by jack stands. Never work under a vehicle supported only by hydraulic jacks.
  - Take precautions when lifting product. Due to the size and weight of this product three people are recommended for installation.
  - Never work directly under the product until it has been securely fastened to the vehicle.
  - Avoid sharp, hot, and moving components when routing electrical cables.
  - If drilling inspect both sides of the surface and remove/relocate any objects located in the way.
  - Ensure all bolts are properly tightened before driving.

# Bumper Removal

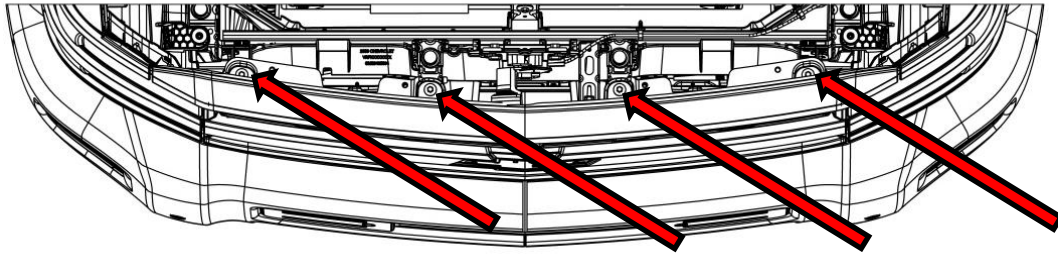
- 1: Disconnect the wiring to any lights, sensors, or other accessories mounted to the stock bumper.
- 2: Remove the bolt tabs from each side that fasten the corner brace to the frame. Unbolt the corner braces from the bumper and remove both braces.



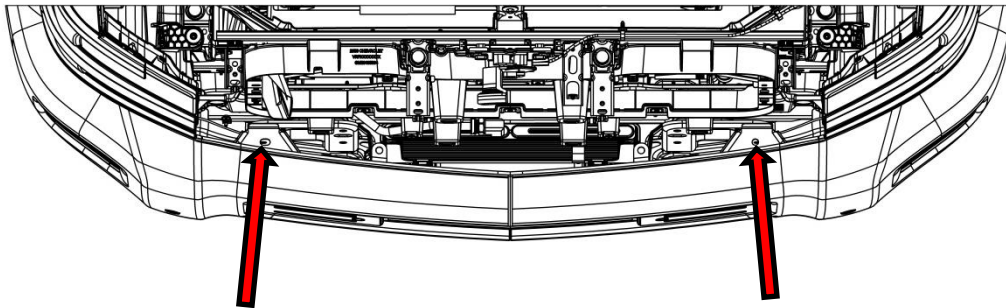
- 3: To access the grille first remove the black plastic panel in front of the radiator.



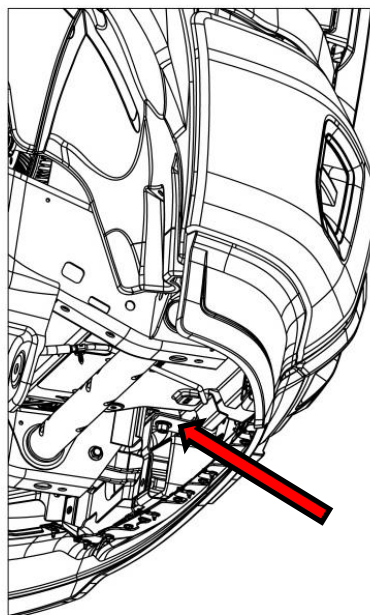
- 4:** Remove the four screws that run across the top of the grille. The bottom of the grille is held in with clips. Pull outward at each clip location until it releases. The grille can now be removed.



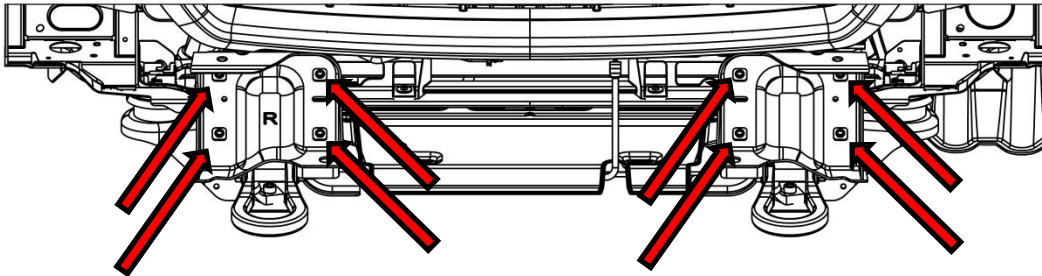
- 5:** With the bumper supported remove the two bolts located on either side of the grille opening.



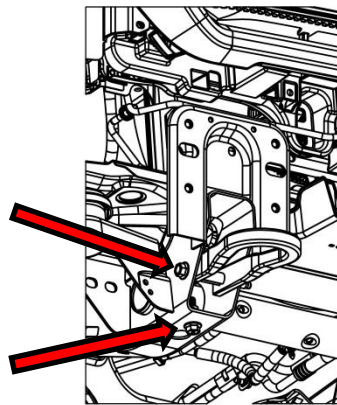
- 6:** Remove the two bolts, one per side, located just inside and above each tow hook. The bumper can now be removed from the truck.



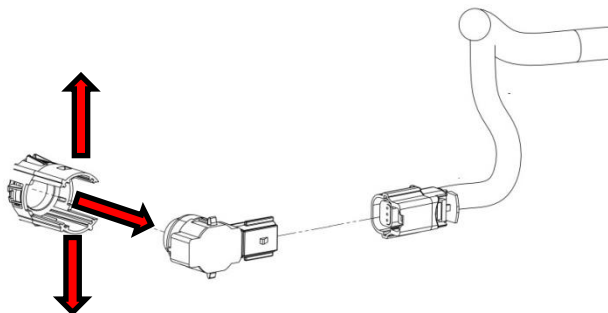
- 7:** Remove the eight bolts that hold the bumper brackets to the frame horns. **NOTE:** These bolts will be reused for install.



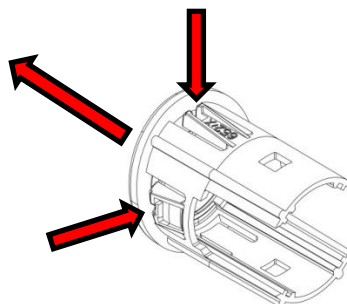
- 8:** Remove the four bolts that hold the tow hooks. **NOTE:** These bolts will be reused for install.



- 9:** If equipped remove the parking sensors from the stock bumper. Spread the ears on the sensor bezel and push the sensor thru the back of the bumper. **NOTE:** Keep track of each sensors location.



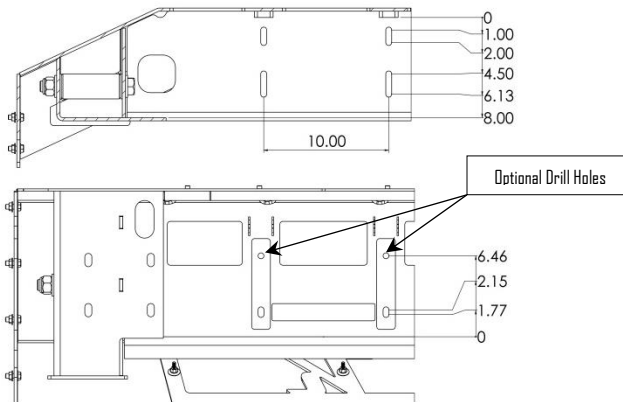
- 10:** Depress the tabs on the sensor bezel and push it thru the front of bumper.





# Bumper Preparation

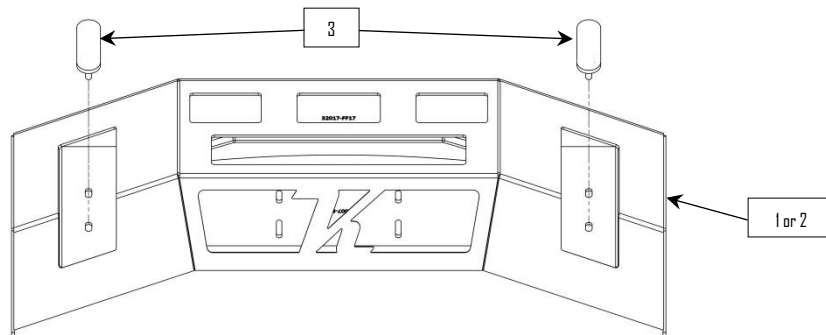
- Before painting open every box and locate all parts. There are several smaller bushing pieces, screens, and bolt tabs that are packaged separately inside the main box.
- **CAUTION:** Kelderman Mfg. Inc. cannot guarantee correct out of the box fitment across all winch brands and sizes. The installer is responsible for test fitting the winch into the bumper and making any required modifications before the bumper is sent to paint. See Image below for the bolt pattern in the Kelderman bumper.
  - **NOTE:** When installing larger winches (16,500lb) the installer maybe required to drill two extra holes into the face of the bumper in order to properly mount the winch.



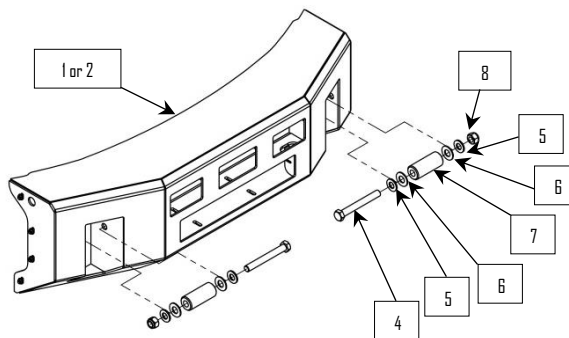
- **CAUTION:** Kelderman Mfg. Inc. cannot guarantee correct out of the box fitment across all light brands and sizes. The installer is responsible for test fitting all lights into the bumper and making any required modifications before the bumper is sent to paint. This bumper has been designed to utilize the following Rigid Industries lights.
  - Rigid Industries E-Series 20 Inch Light (Center)
  - Rigid Industries E-Series 4 Inch Light (End Cap)
  - Rigid Industries E-Series 6 Inch Light (End Cap)
  - Rigid Industries SR-Series 6 Inch Light (End Cap)
- **Tow Hook Pocket Painting**
  - If a heavily textured thick coating is being applied, take note that buildup does not hinder the installation of the tow hooks. Each bumper is supplied with four rubber washers to let tow hooks rotate without damaging the paint. If thick coatings are applied, installation of hooks may only allow for the use of one or no rubber washers.

# Bumper Assembly

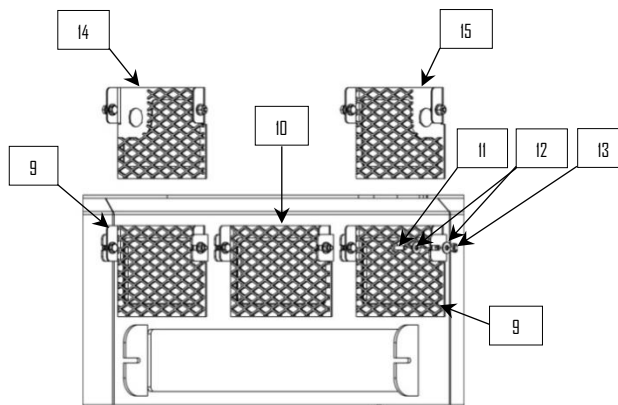
- On a clean flat non-scratching surface place the bumper center section (1 or 2) face down.
- Insert bumper mount bolting tabs (3) thru each pocket in the center section. Use tape or zip ties to temporarily hold in place.



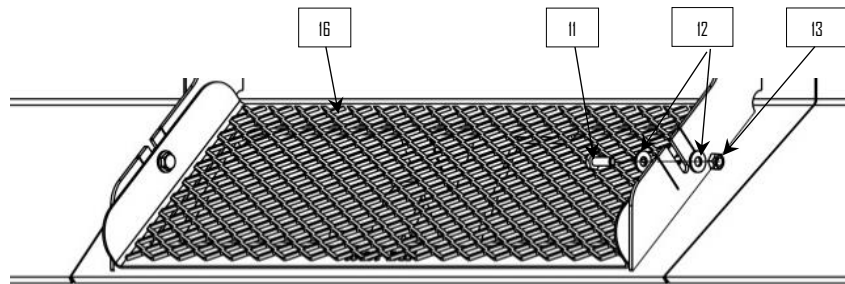
- Install the tow hooks (7) into the pockets using the provided 7/8" hardware. Tow hooks (7) and rubber washers (6) go inside the pocket. Tighten the 7/8" nut (8) to the point where the tow hook will still spin, but not freely.



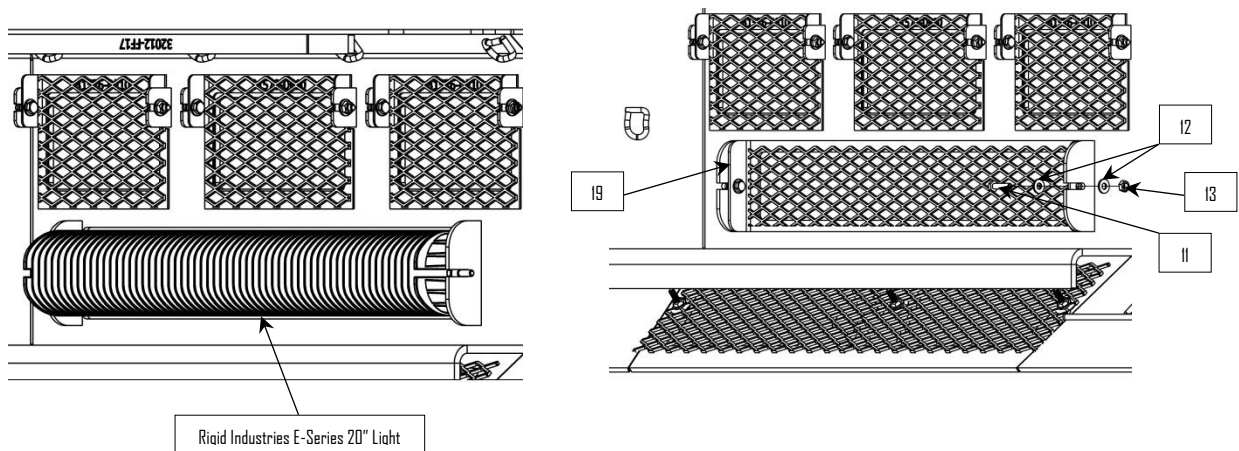
- Bolt the three upper screens (9 & 10) into the center section.
  - If your truck has parking sensors install screens (14 & 15).



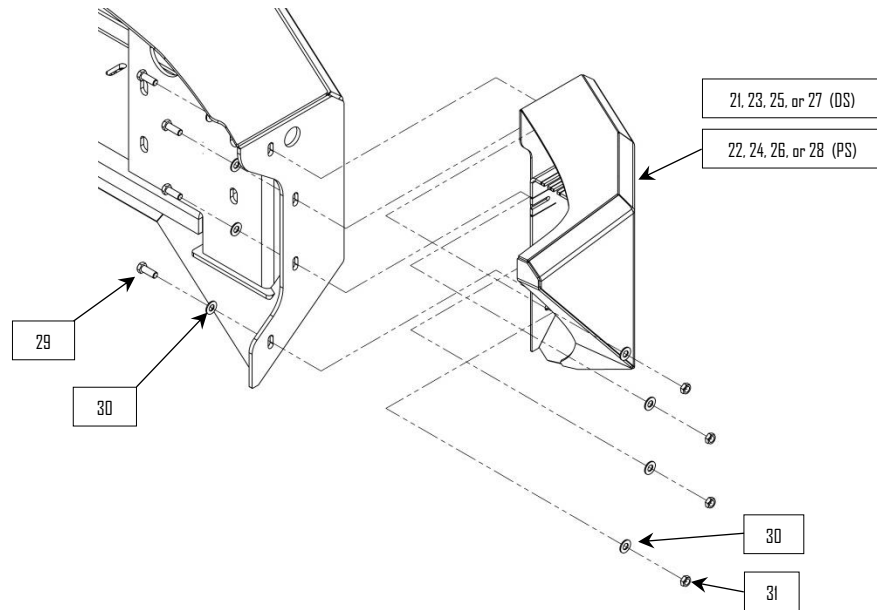
- Place the lower screen (16) into the bumper and fasten in place with flat washer (12) hex bolt (11) and nut (13).



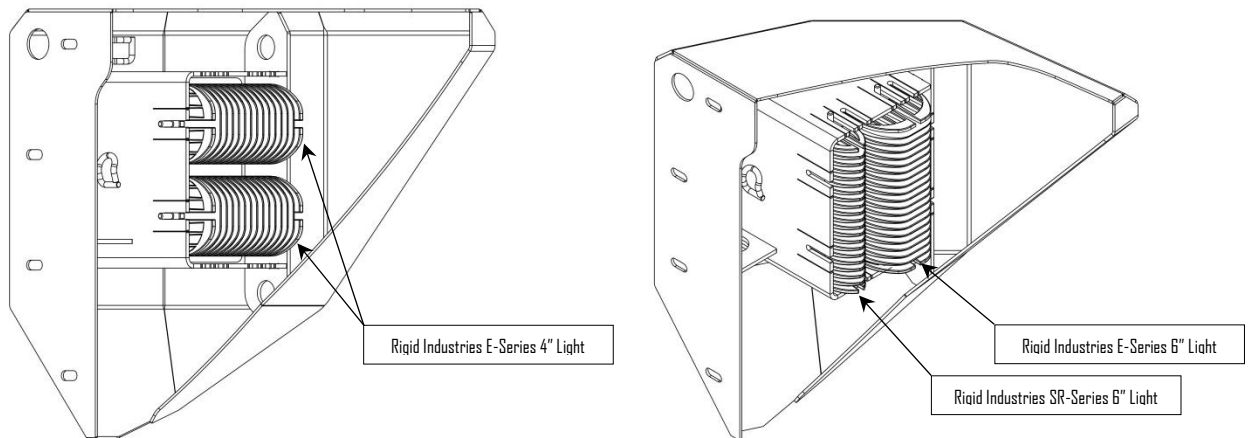
- Winch Bumpers
  - Install winch according to winch manufacture’s specifications. When installing large winches two extra holes may need to be drilled into the face of the bumper. **NOTE:** Use the internal spacer plates as a drill guide. (See Bumper Preparation Section)
- Light Bumpers
  - Install the Rigid Industries E-Series 20 inch light bar (or similar light) into the center cut out using the hardware supplied with the light.
  - Or if optioned install the Kelderman center light delete screen (19) using the hardware supplied with the light delete kit.



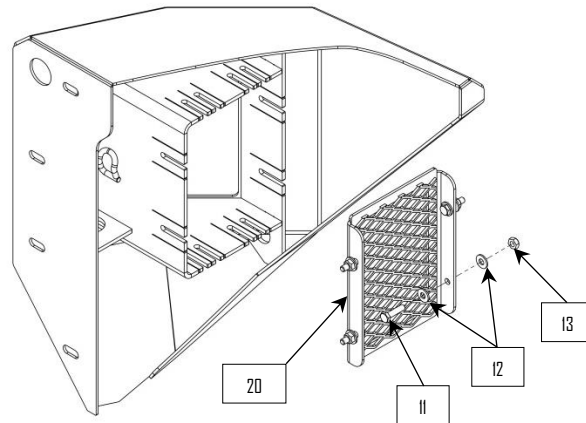
- Bolt the end caps onto the center section using the supplied hardware. Re-positioning may be required after bumper is installed onto truck. **NOTE:** While positioning use masking tape to protect painted surfaces that come into contact.



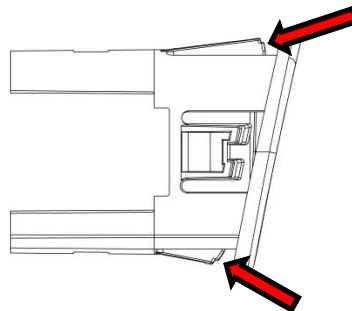
- Install the lights into each end cap.



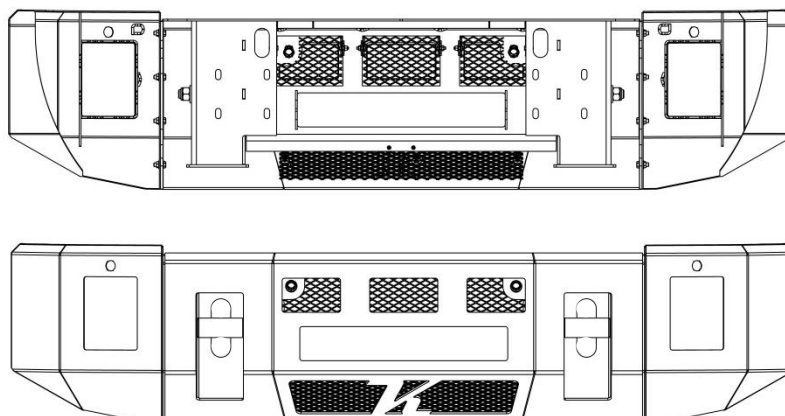
- Install horizontally two Rigid Industries 4 inch E-Series light (*or similar light*) into each end cap using the hardware supplied with the light.
- Or install vertically one Rigid Industries 6 inch E-Series (*or similar light*) and one Rigid Industries 6 inch SR-Series (*or similar light*) into each end cap using the hardware supplied with the light.
  - **NOTE:** The light mounting ears will deform and draw up to the light as they are tightened.



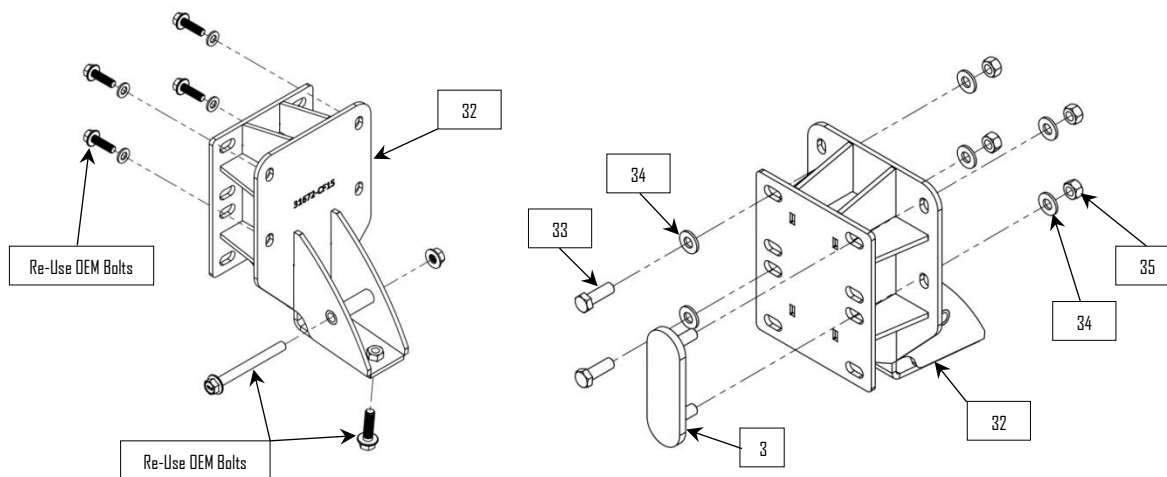
- Or if optioned, install the Kelderman end cap light delete screen (20) using the hardware supplied with the light delete kit.
- If equipped install the sensors into the end caps and center screens by reversing the process from steps five and six. Be sure to install them back in the correct location.  
**NOTE:** If bezels will not snap into place file the tabs down a little at a time until they will catch.



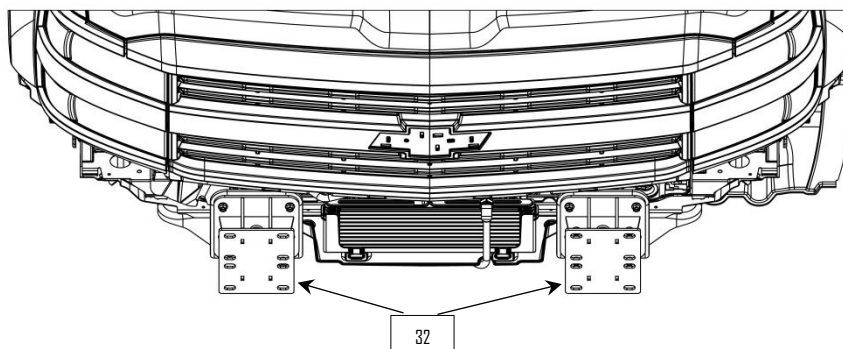
- Zip tie wiring to the tie downs welded inside the bumper.
- The bumper is now ready for installation.



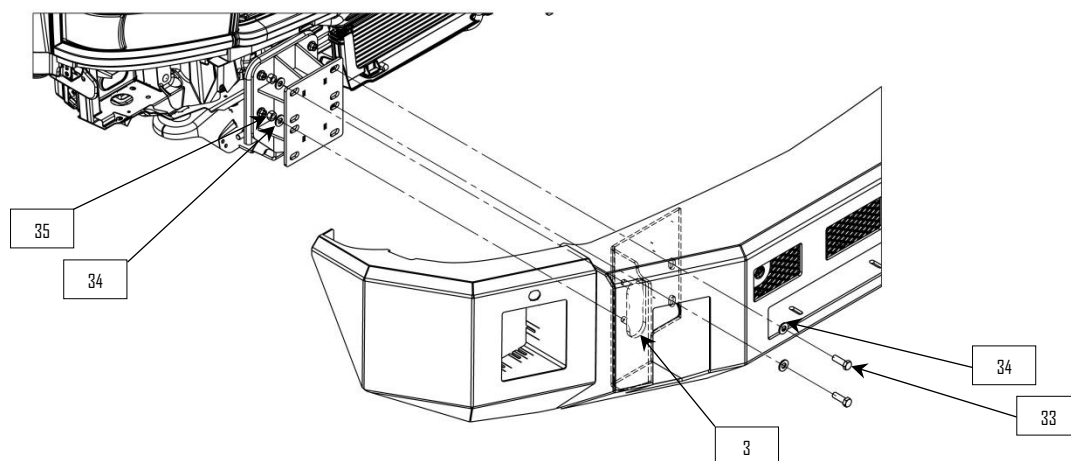
# Bumper Installation



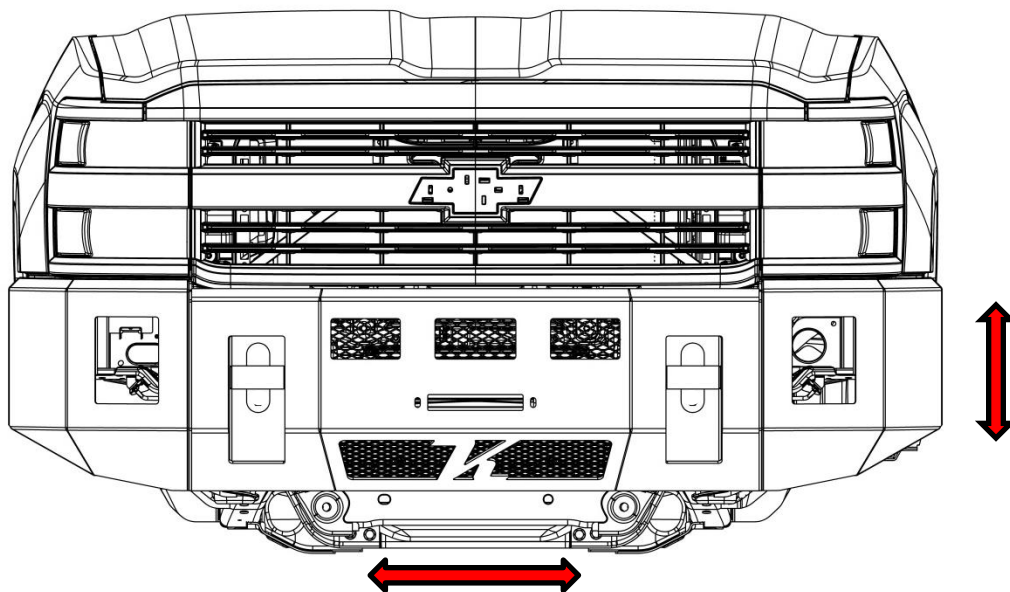
**11:** Install the bumper frame brackets (32). Use OEM hardware from steps 7 & 8 to bolt the brackets to the frame horns.



**12:** Use the studs of the bumper mount bolting tabs (3) to position the bumper on the frame brackets (32). Use washer (34) and nut (35) to fasten the bumper to the mount.  
**NOTE:** Chevrolet bumpers use the upper set of holes in the frame bracket.



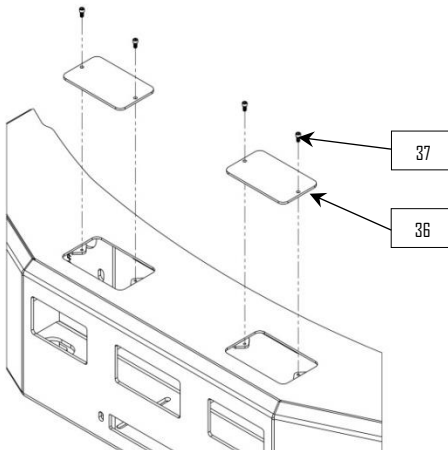
- 13:** Insert the remaining 1/2" hardware thru the bumper and bracket.
- 14:** Reinstall the grille.
- 15:** Align the bumper on the truck and tighten the mounting hardware. **NOTE:** The end caps can be re-adjusted at this point if required.



- 16:** Torque all fasteners according to the chart below.

Bolt Size	Torque
1/4"-20	70 in-lb
3/8"-16	20 ft-lb
1/2"-20	50 ft-lb
9/16"-18	70 ft-lb
7/8"-9	250 ft-lb

- 17:** Finish wiring accessories.
- 18:** Winch bumpers, install winch access covers (36) using bolts (37).



# Parts Key

Item Number	Part Number	Description
1	31652	Center Section - Winch
2	31666	Center Section - Light
3	31760	Bumper Mount Bolting Tab
4	12644	Bolt: 7/8"-9 X 7.00"
5	13010	Flat Washer: 7/8"
6	80043	Rubber Washer: 1" ID X 2" OD
7	31552	Tow Hook
8	13110	Lock Nut: 7/8"-9
9	10008104	Honeycomb Outer Screen – 7"
10	10008105	Honeycomb Inner Screen – 8"
11	12108	Bolt: ¼"-20 X ¾"
12	13000	Flat Washer: ¼"
13	13100	Lock Nut: ¼"-20
14	10012196	Honeycomb DS Screen, Sensor – 7"
15	10012197	Honeycomb PS Screen, Sensor – 7"
16	10008106	Honeycomb Lower Screen
17	13140	Nut: ¼"-20
18	13042	Lock Washer: ¼"
19	31569	Light Delete Screen Center ( <i>Optional</i> )
20	31566	Light Delete Screen End Cap ( <i>Optional</i> )
21	31679	End Cap (DS)
22	31680	End Cap (PS)
23	31744	End Cap (DS) Sensor
24	31745	End Cap (PS) Sensor
25	31687	End Cap (DS) Wide
26	31688	End Cap (PS) Wide
27	31746	End Cap (DS) Sensor Wide
28	31747	End Cap (PS) Sensor Wide
29	12210	Bolt: 3/8"-24 X 1-1/4"
30	13002	Flat Washer: 3/8"
31	13102	Lock Nut: 3/8"-24
32	31748	Bumper Frame Mount
33	12007	Bolt: ½"-20 X 1-1/2"
34	13004	Flat Washer: ½"
35	13124	Lock Nut: ½"-20
36	31665	Winch Access Cover
37	13503	Socket Head Screw: ¼"-20 X ½"



---

# Notes

---

---

## Contact Information

---

- Kelderman Manufacturing appreciates your business. We strive to meet the needs of our customers by providing the highest quality products. If you have any questions concerning our products please call or email us at the following:

**2686 Highway 92  
Oskaloosa, Iowa 52577**

**Phone: (641) 673-5396**

**Fax: (641) 673-4168**

**Email: [info@kelderman.com](mailto:info@kelderman.com)**

