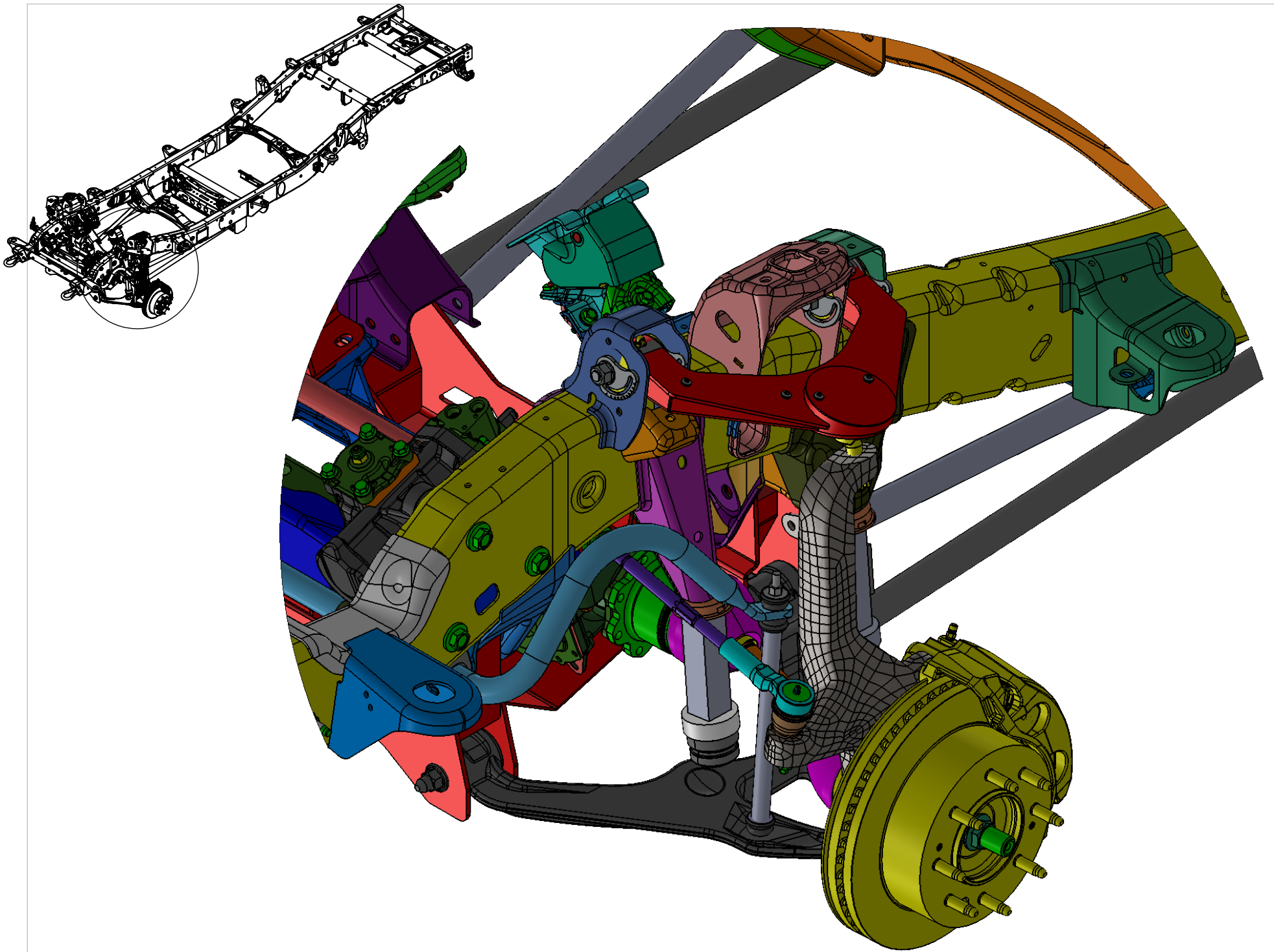
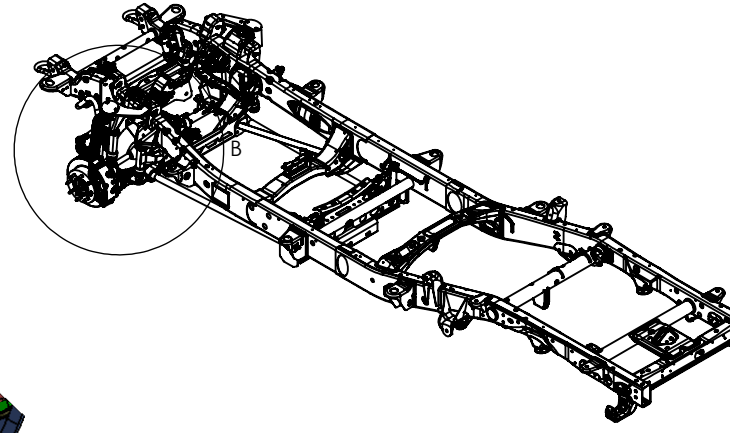
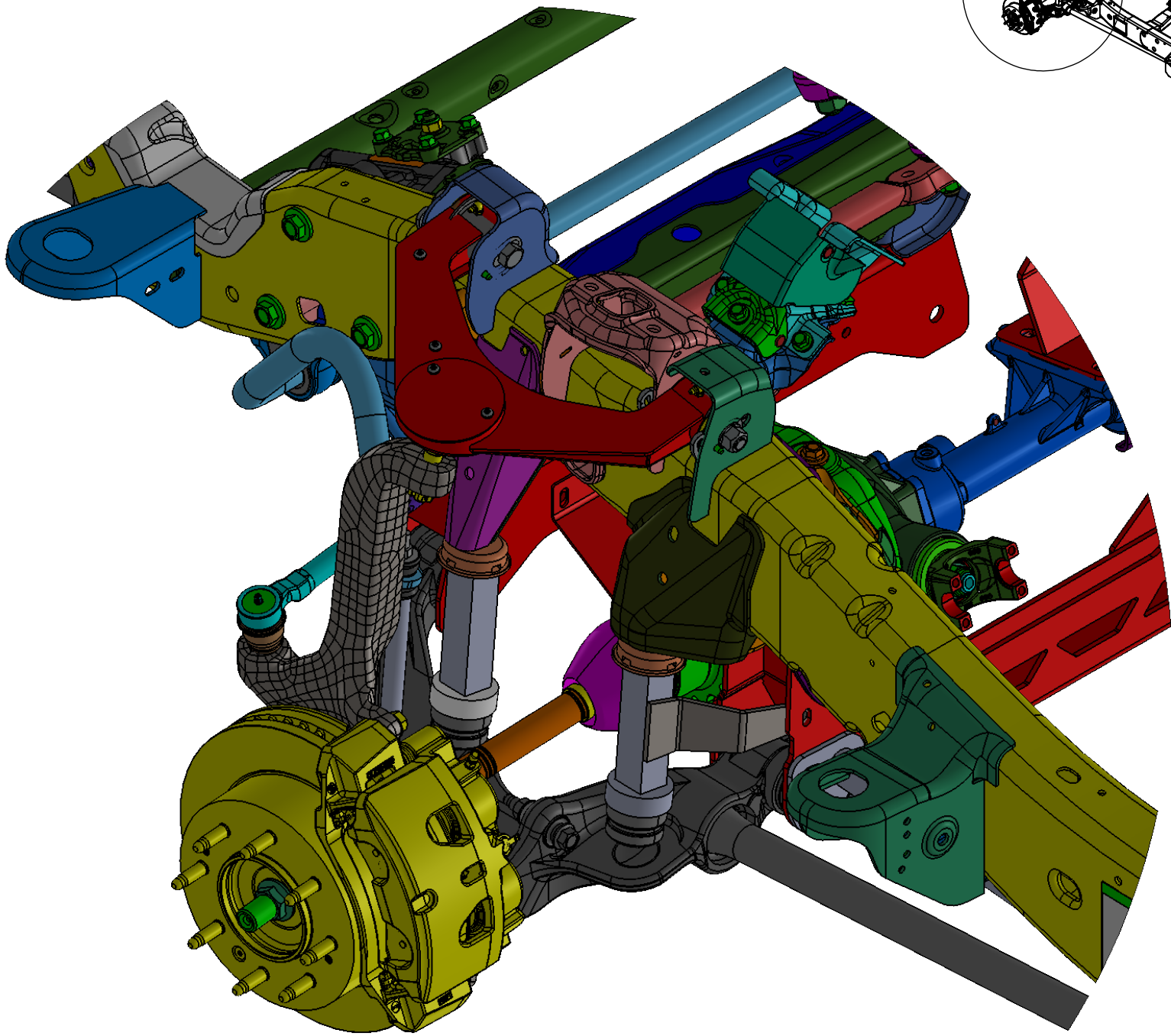
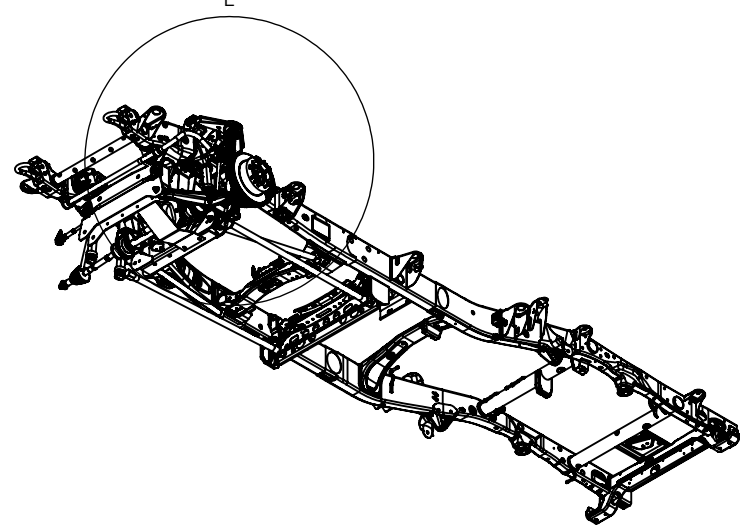
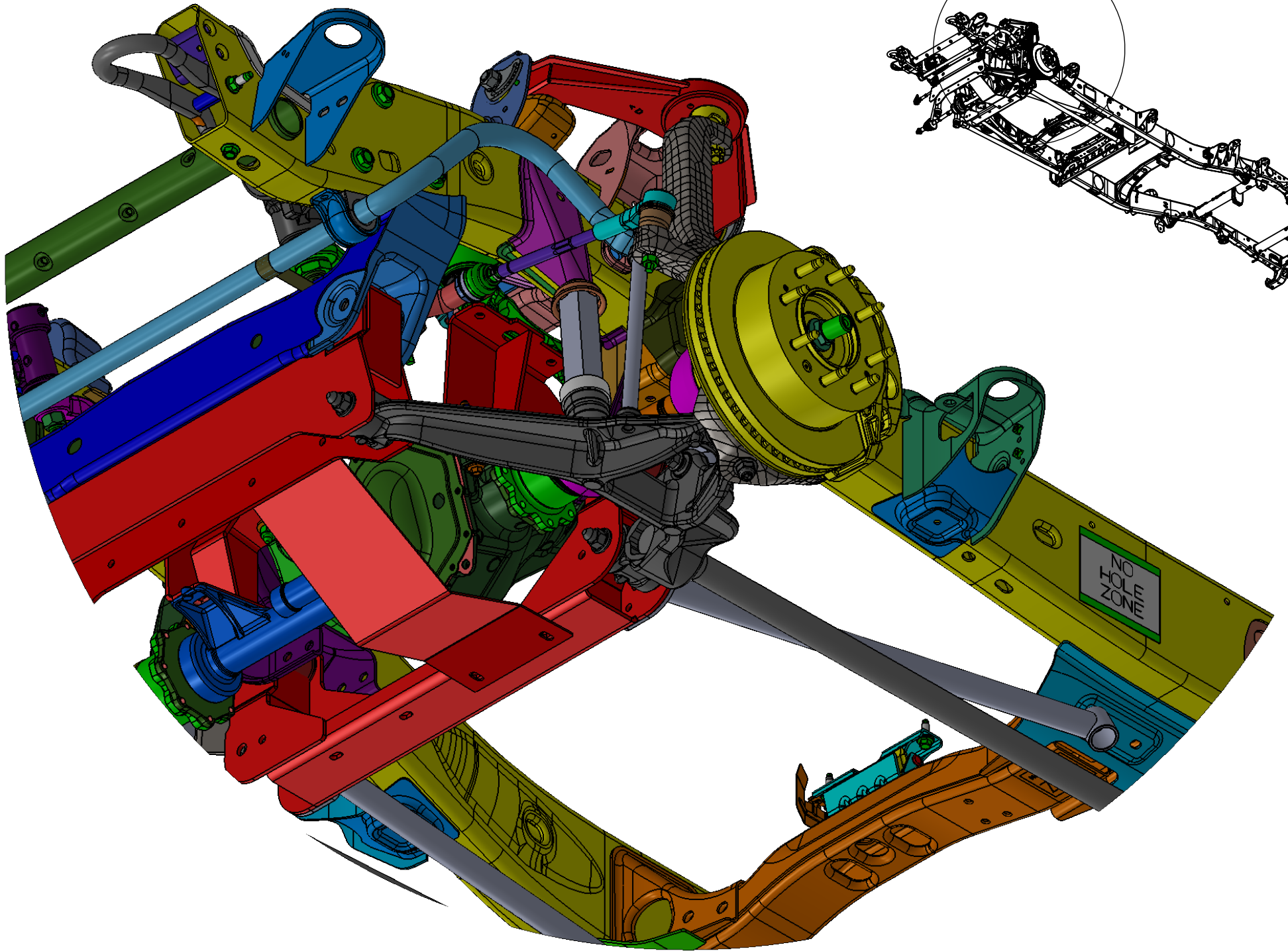


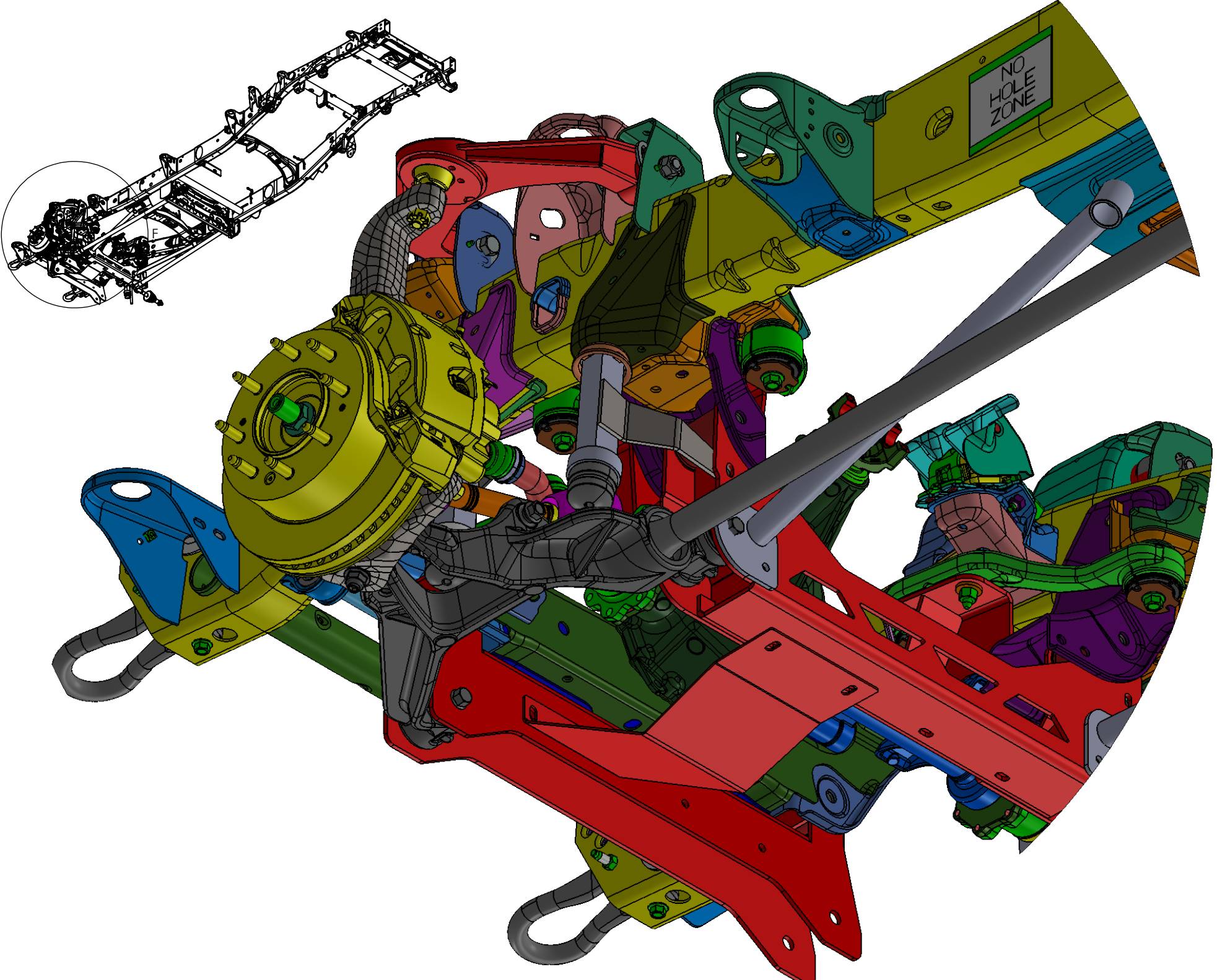
**Repeat similar
processes for
passenger side**

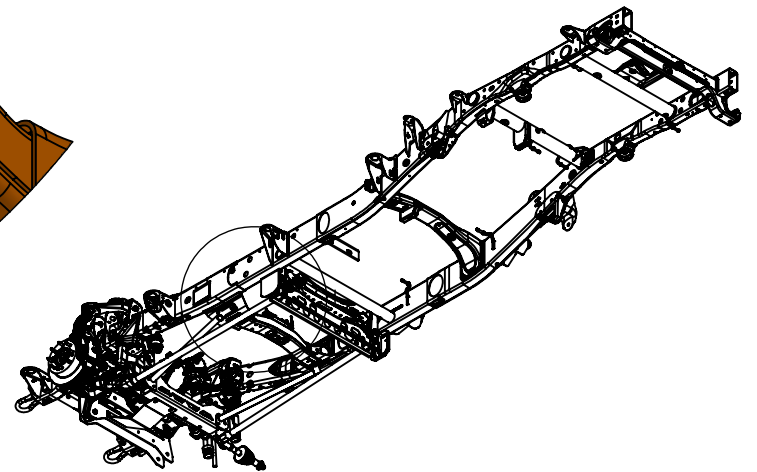
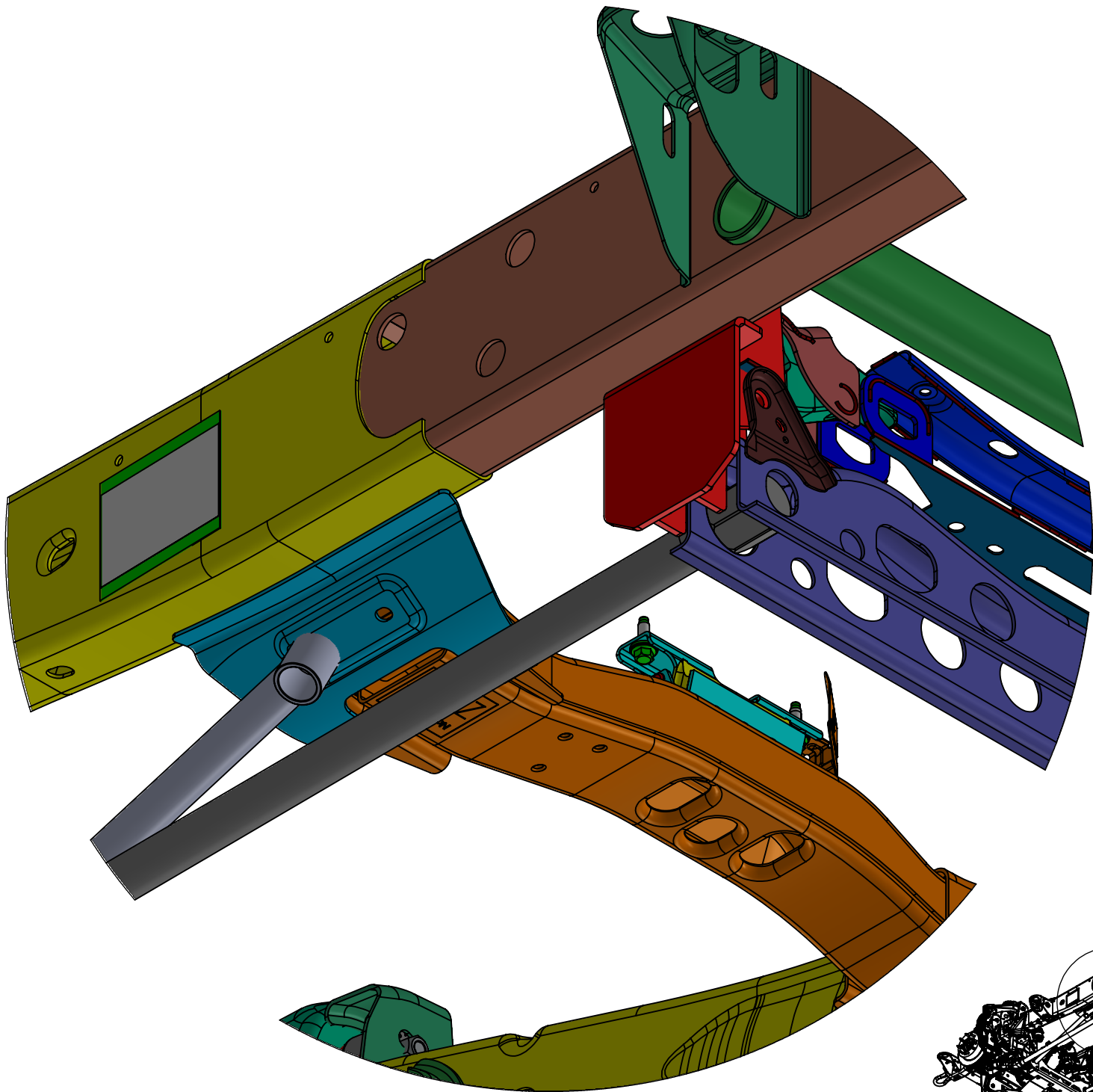


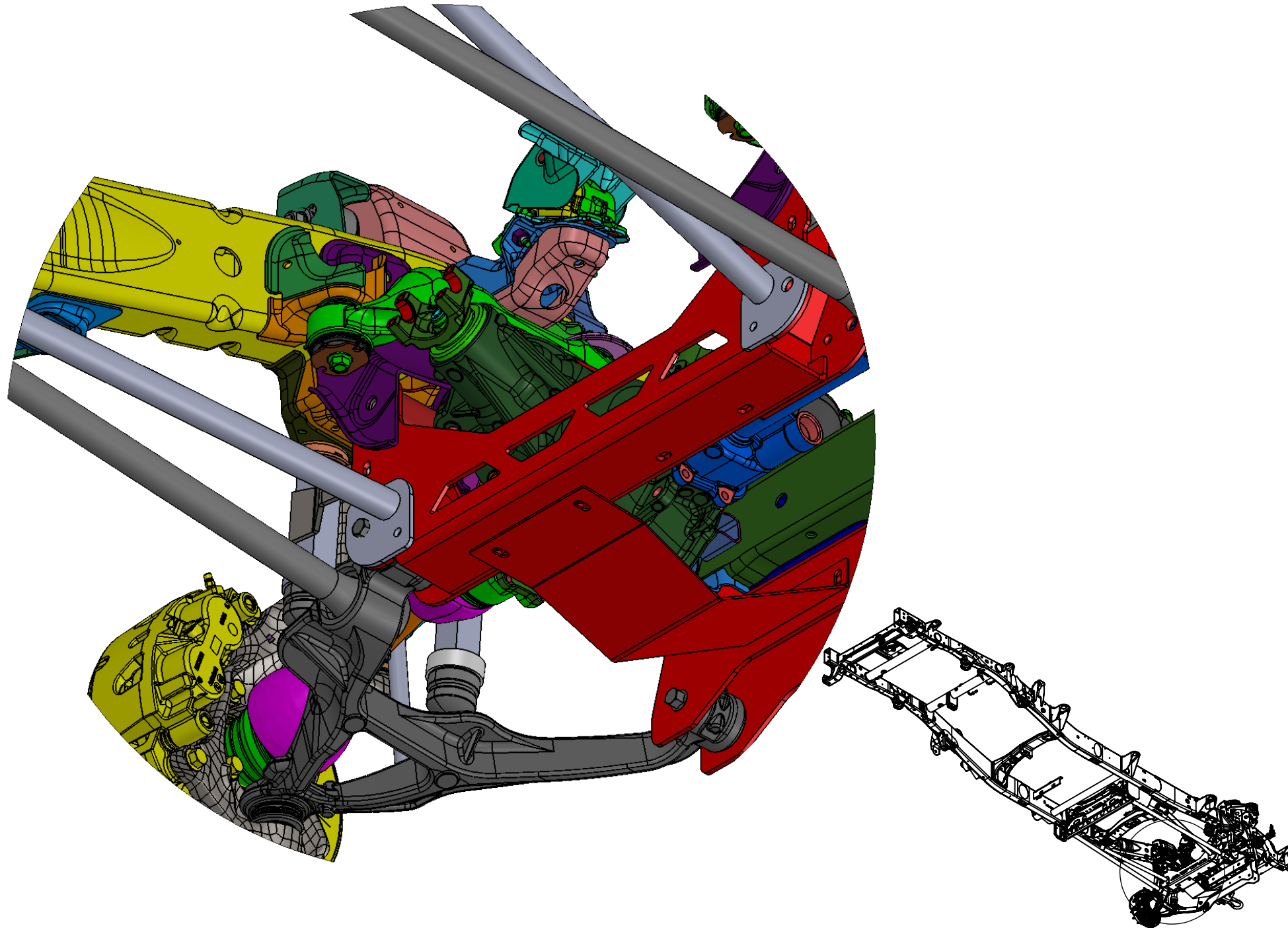
DETAIL A
SCALE 1:6











Cut Frame here

