



# Commander Series Grille Guard

---

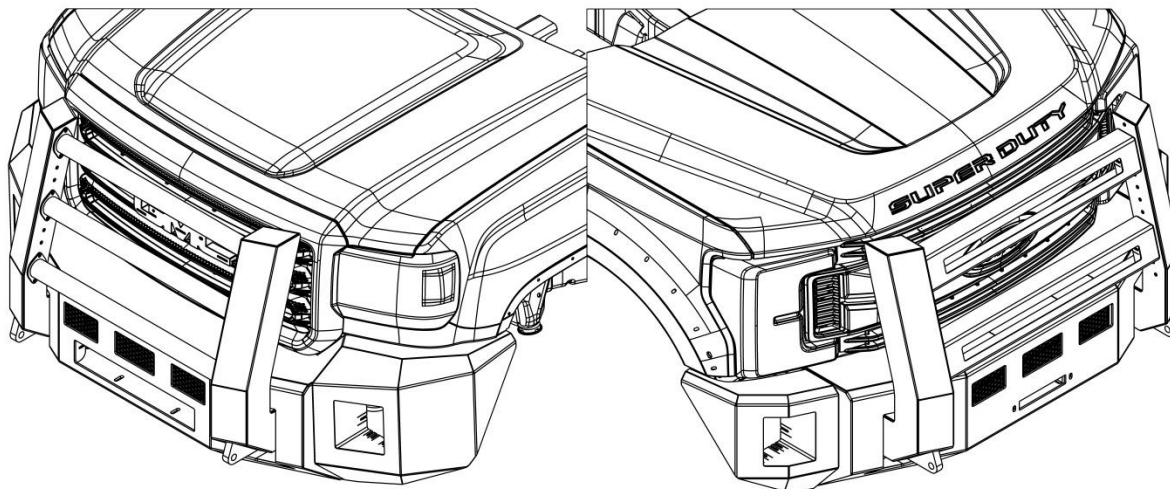
- Alpha Series Bumpers

---

---

# Kelderman Commander Grille Guard

---



**Pocket Centers**  
**37.6 in.      42 in.**

**- Contents**

- Kit Numbers..... (3)
- Introduction..... (4)
- Safety..... (5)
- Grille Guard Preparation..... (6)
- Installation on Preexisting Bumper..... (7)
- Installation with Bumper..... (8)
- Parts Key.....(12)
- Contact Information.....(14)

# Kit Numbers

- This installation manual covers the following Commander Grille Guards.

Kit Number	Description
00202020200	42" Pocket Center – Round Bar (x4)
00202020201	42" Pocket Center – Round Bar (x4) – Clevis Ear
00202020000	42" Pocket Center – Round Bar (x3)
00202020001	42" Pocket Center – Round Bar (x3) – Clevis Ear
00202000000	42" Pocket Center – Round Bar (x2)
00202000001	42" Pocket Center – Round Bar (x2) – Clevis Ear
01212120000	42" Pocket Center – Square Bar (x3)
01212120001	42" Pocket Center – Square Bar (x3) – Clevis Ear
01212000000	42" Pocket Center – Square Bar (x2)
01212000001	42" Pocket Center – Square Bar (x2) – Clevis Ear
02222220000	42" Pocket Center – Square Light Bar (x3)
02222220001	42" Pocket Center – Square Light Bar (x3) – Clevis Ear
02222000000	42" Pocket Center – Square Light Bar (x2)
02222000001	42" Pocket Center – Square Light Bar (x2) – Clevis Ear
00101010100	37.625" Pocket Center – Round Bar (x4)
00101010101	37.625" Pocket Center – Round Bar (x4) – Clevis Ear
00101010000	37.625" Pocket Center – Round Bar (x3)
00101010001	37.625" Pocket Center – Round Bar (x3) – Clevis Ear
00101000000	37.625" Pocket Center – Round Bar (x2)
00101000001	37.625" Pocket Center – Round Bar (x2) – Clevis Ear
01111110000	37.625" Pocket Center – Square Bar (x3)
01111110001	37.625" Pocket Center – Square Bar (x3) – Clevis Ear
01111000000	37.625" Pocket Center – Square Bar (x2)
01111000001	37.625" Pocket Center – Square Bar (x2) – Clevis Ear
02121210000	37.625" Pocket Center – Square Light Bar (x3)
02121210001	37.625" Pocket Center – Square Light Bar (x3) – Clevis Ear
02121000000	37.625" Pocket Center – Square Light Bar (x2)
02121000001	37.625" Pocket Center – Square Light Bar (x2) – Clevis Ear

---

# Introduction

---

- **Important**

It is important that the entire installation instructions be read thoroughly before proceeding with grille guard installation.

- **Product Installer Responsibilities**

Installer is responsible for installing this product in accordance with Kelderman Mfg. Inc. specifications and installation instructions.

Installer is responsible for providing proper installation of vehicle components and attachments as well as required or necessary clearance for suspension components, axles, wheels, tires, and other vehicle components to ensure a safe and sound installation and operation of this product.

- **Product Owner Responsibilities**

Owner is solely responsible for pre-operation inspection, periodic inspections, maintenance, and use of the product as specified by Kelderman Mfg. Inc. Of particular importance is the re-torque of fasteners. This re-torque must be performed within 90 days or 1000 miles of this product being put into service.

- **Definition of Terms**

- **Warning:** Indicates a potentially hazardous situation which, if not avoided, could result in death or serious injury.
- **Caution:** A potential hazardous situation may result in property damage.
- **Note:** Provide information or suggestions that help correctly perform a task.
- **Torque:** When italicized "*torque*" alerts the installer to tighten fasteners to a specified value.

---

# Safety

---

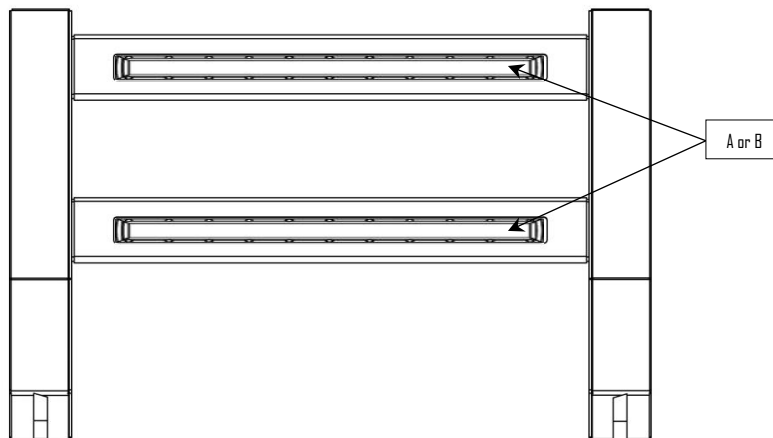
- **Your Safety and the Safety of Others is Very Important.**  
Read and understand all safety precautions and instructions before installing this product.
  
- **CAUTION: Trucks Equipped with Parking Sensors or Other Like Devices.**  
Relocation of these devices will alter the field of view. It is the responsibility of the owner to understand how these changes affect the operation of these systems.
  
- **This Product is Intended for Off-Road Use**  
All liability for installation and use rests with the owner.
  
- **WARNING: Careless Installation Can Result in Serious Injury or Property Damage**
  - Wear eye protection.
  - Disconnect the battery before doing any work on the vehicle.
  - Work on flat level ground.
  - Ensure truck is properly supported by jack stands. Never work under a vehicle supported only by hydraulic jacks.
  - Take precautions when lifting product. Due to the size and weight of this product two people are recommended for installation.
  - Never work directly under the product until it has been securely fastened to the vehicle.
  - Avoid sharp, hot, and moving components when routing electrical cables.
  - If drilling inspect both sides of the surface and remove/relocate any objects located in the way.
  - Ensure all bolts are properly tightened before driving.

---

# Grille Guard Preparation

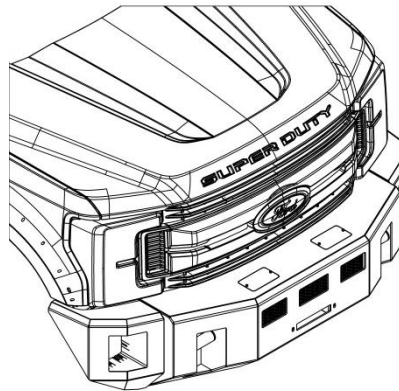
---

- Before painting, open every box and locate all parts. Some items are packaged separately inside the main box.
- **CAUTION:** Kelderman Mfg. Inc. cannot guarantee correct out of the box fitment across all light brands and sizes. The installer is responsible for test fitting all lights into the grille guard and making any required modifications before the guard is sent to paint. This guard, if optioned, has been designed to utilize the following Rigid Industries lights.
  - A) Rigid Industries SR-Series 20 Inch Light (37.625" Pocket Centers)
  - B) Rigid Industries SR-Series 30 Inch Light (42" Pocket Centers)

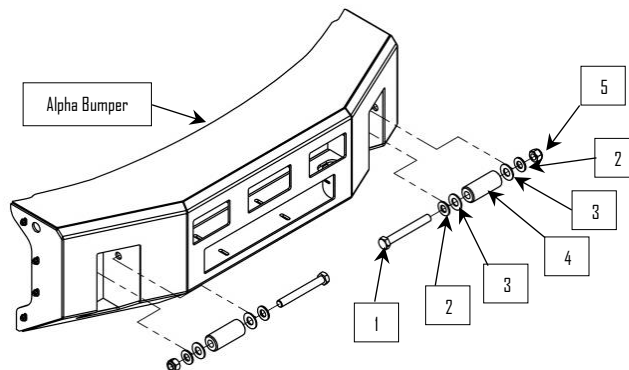


# Installation on Preexisting Bumper

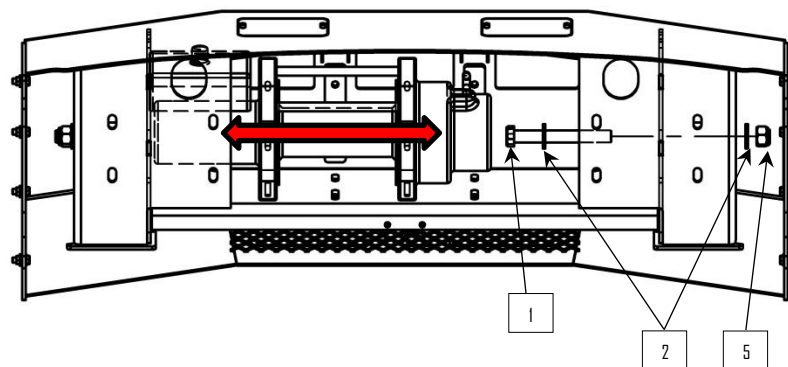
- This section covers how to install a Commander grille guard onto a truck that is already equipped with an Alpha bumper.



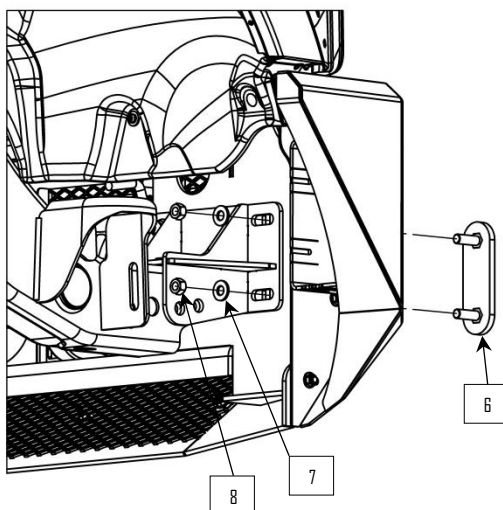
- 1: Remove the tow hooks (4) from the pockets.



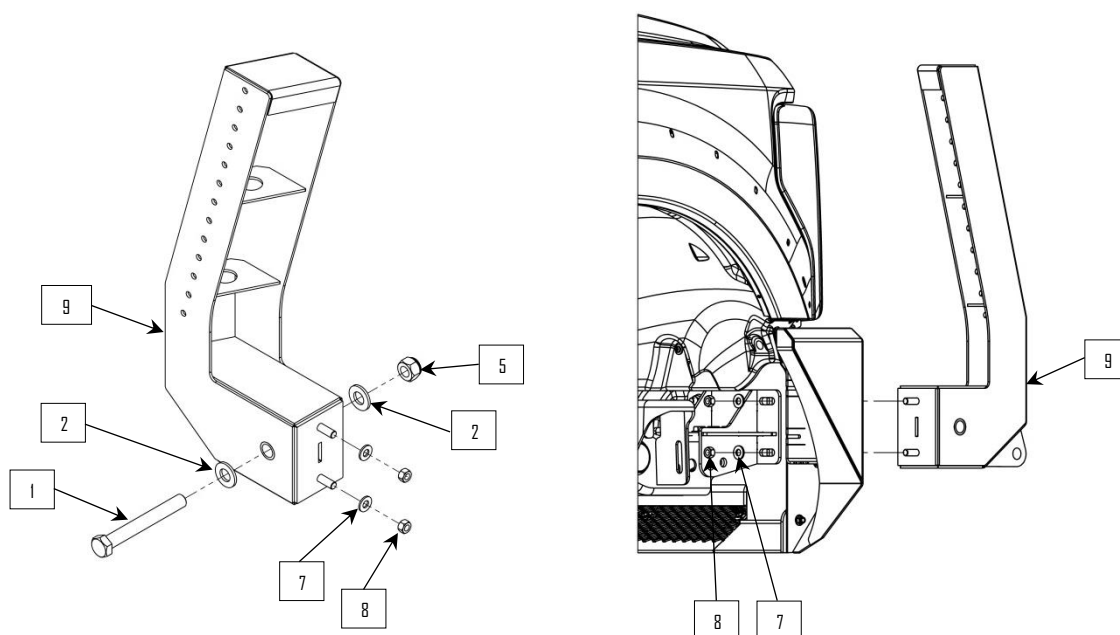
- 2: **NOTE:** On bumpers equipped with large winches the winch must be unbolted and slid over to access the tow hook bolts (1). Winches may be bolted thru the face of the bumper as well as thru the winch plate. On trucks equipped with parking sensors use care when moving the winch so as not to cause damage. **Do not** bolt the winch back in yet.



- 3: Support the bumper before removing any of the mounting hardware. Work on only one side at a time.
- 4: Remove the bolt tab (3) that fastens thru the pocket in the bumper. **WARNING: Do not** remove the other two ½" bolts that fasten the bumper to the mount.

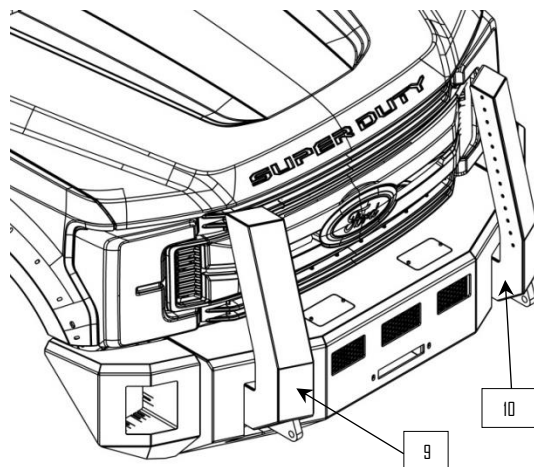


- 5: Insert the grille guard horn (9 or 10) into the pocket and bolt thru the frame bracket. The crossbar mounting holes should face the center of the truck. Reinstall the 7/8" tow hook bolt (1). **Do not** tighten down hardware; some movement in the grille guard horn will be required when installing the crossbars.

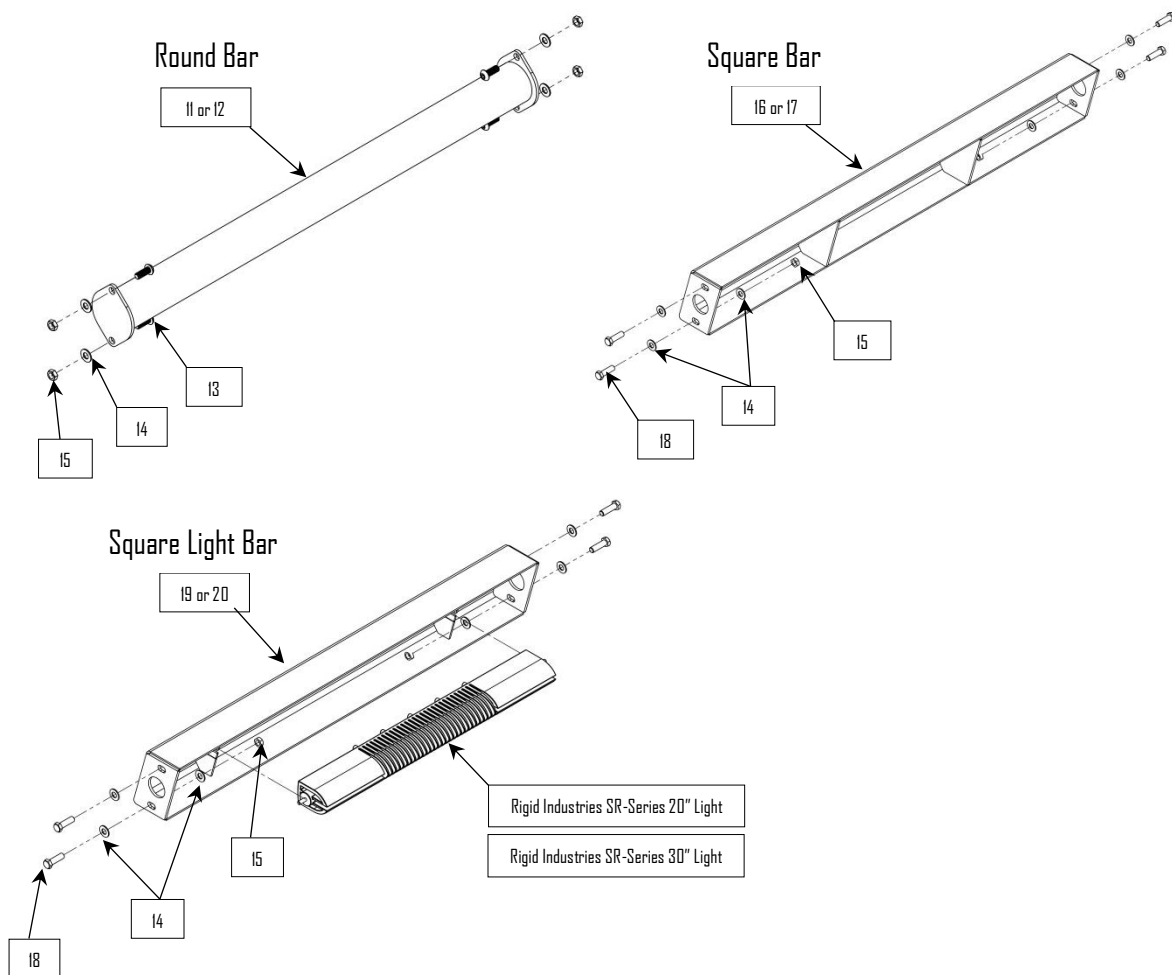


- 6: Repeat this process to install the grille guard horn (9 or 10) on the other side of the bumper. Tow hooks (4) and rubber washers (3) will not be reused.



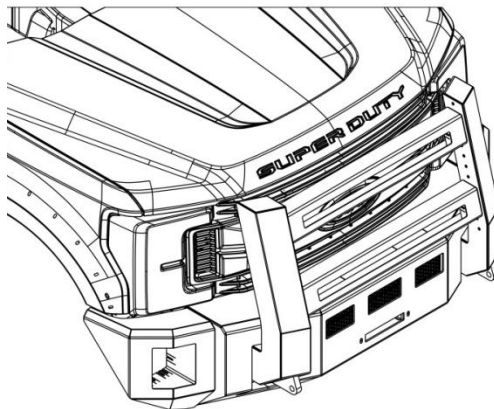


**7:** Locate the crossbars and associated hardware that pertain to the kit number being installed.

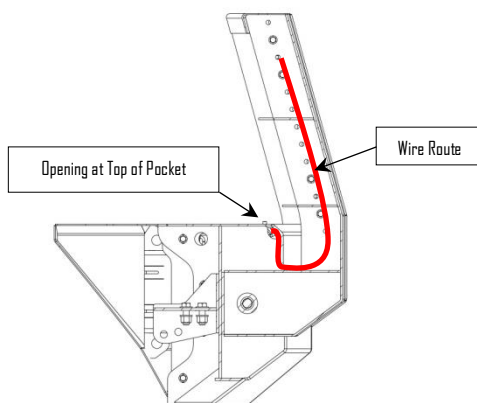


**8:** If optioned install lights into the crossbar using the hardware supplied with the light.  
**NOTE:** The light mounting ears will deform and draw up to the light as they are tightened.

- 9:** Install the bottom crossbar and work upwards, **do not** tighten bolts yet. **NOTE:** While positioning use masking tape to protect painted surfaces that come into contact.  
**CAUTION:** Crossbars must be positioned so as not to block cameras, sensors, or other like devices that may be mounted at the front of the truck.



- 10:** Tighten the 1/2" hardware and then the 7/8" bolts from *Step 5* that fasten each horn to the bumper. Tighten the crossbar bolts.
- 11:** Wiring can be run thru the pockets and into the bumper. There is an opening at the top of each pocket.

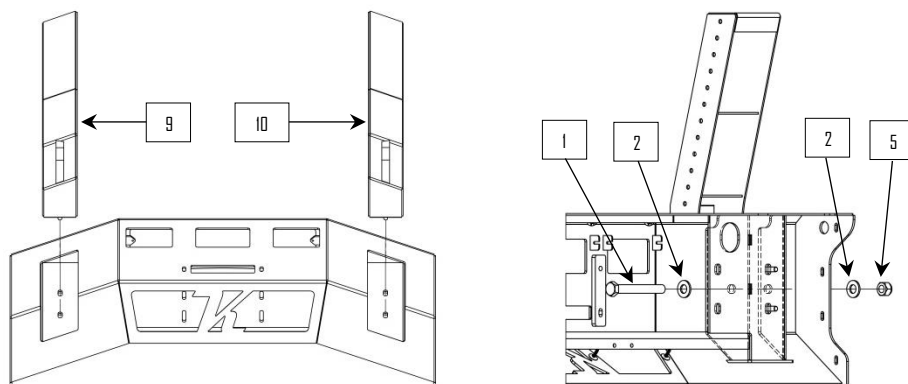


- 12:** Reinstall the winch, if equipped.
- 13:** Install tow hooks, if equipped.
- 14:** Torque all fasteners according to the chart below

Bolt Size	Torque
1/4"-20	70 in-lb
3/8"-16	20 ft-lb
1/2"-20	50 ft-lb
9/16"-18	70 ft-lb
7/8"-9	250 ft-lb
M12-1.75	60 ft-lb

# Installation with Bumper

- This section covers how to install a Commander grille guard and Alpha bumper simultaneously.
- See **Alpha Series Front Bumper Installation Manual** for factory *Bumper Removal* and *Kelderman Bumper Preparation* instructions.
- Perform the steps listed below in place of the first three steps in the *Bumper Assembly* portion of the Kelderman Bumper Installation Manual.
- On a clean flat non-scratching surface place the Alpha bumper center section.
- Insert grille guard horns (9 & 10) thru each pocket in the center section.



- Fasten the horn to the bumper using 7/8" bolt (1) washers (2) and nut (5). **Do not** tighten down hardware; some movement in the grille guard horn will be required when installing the crossbars.
- Follow the remaining *Bumper Assembly*, and *Bumper Installation* steps in the **Alpha Series Front Bumper Installation Manual**.
- Go to *step 7* and follow the remaining instructions in this document.

# Parts Key

Item Number	Part Number	Description
1	12644	Bolt: 7/8"-9 X 7.00"
2	13010	Flat Washer: 7/8"
3	80043	Rubber Washer: 1" ID X 2" OD
4	31552	Tow Hook
5	13110	Lock Nut: 7/8"-9
6	31760	Bumper Mount Bolting Tab
7	13004	Flat Washer: 1/2"
8	13124	Lock Nut: 1/2"-20
9	32224	Grille Guard Horn (PS)
10	32225	Grille Guard Horn (DS)
11	32228	Round Tube - 2-1/2" - 37-1/2" Crossbar
12	32227	Round Tube - 2-1/2" - 33-1/8" Crossbar
13	13618	Button Head Bolt: 3/8"-16 X 1"
14	13002	Flat Washer: 3/8"
15	13102	Lock Nut: 3/8"-16
16	32231	Square Bar - 33-1/8"
17	32233	Square Bar - 37-1/2"
18	12212	Hex Bolt: 3/8"-16 X 1-1/4"
19	32237	Square Light Bar - 37-1/2"
20	32235	Square Light Bar - 33-1/8"

---

# Notes

---

---

## Contact Information

---

- Kelderman Manufacturing appreciates your business. We strive to meet the needs of our customers by providing the highest quality products. If you have any questions concerning our products please call or email us at the following:

**2686 Highway 92  
Oskaloosa, Iowa 52577**

**Phone: 1-800-334-6150**

**Fax: (641) 673-4168**

**Email: [info@kelderman.com](mailto:info@kelderman.com)**

