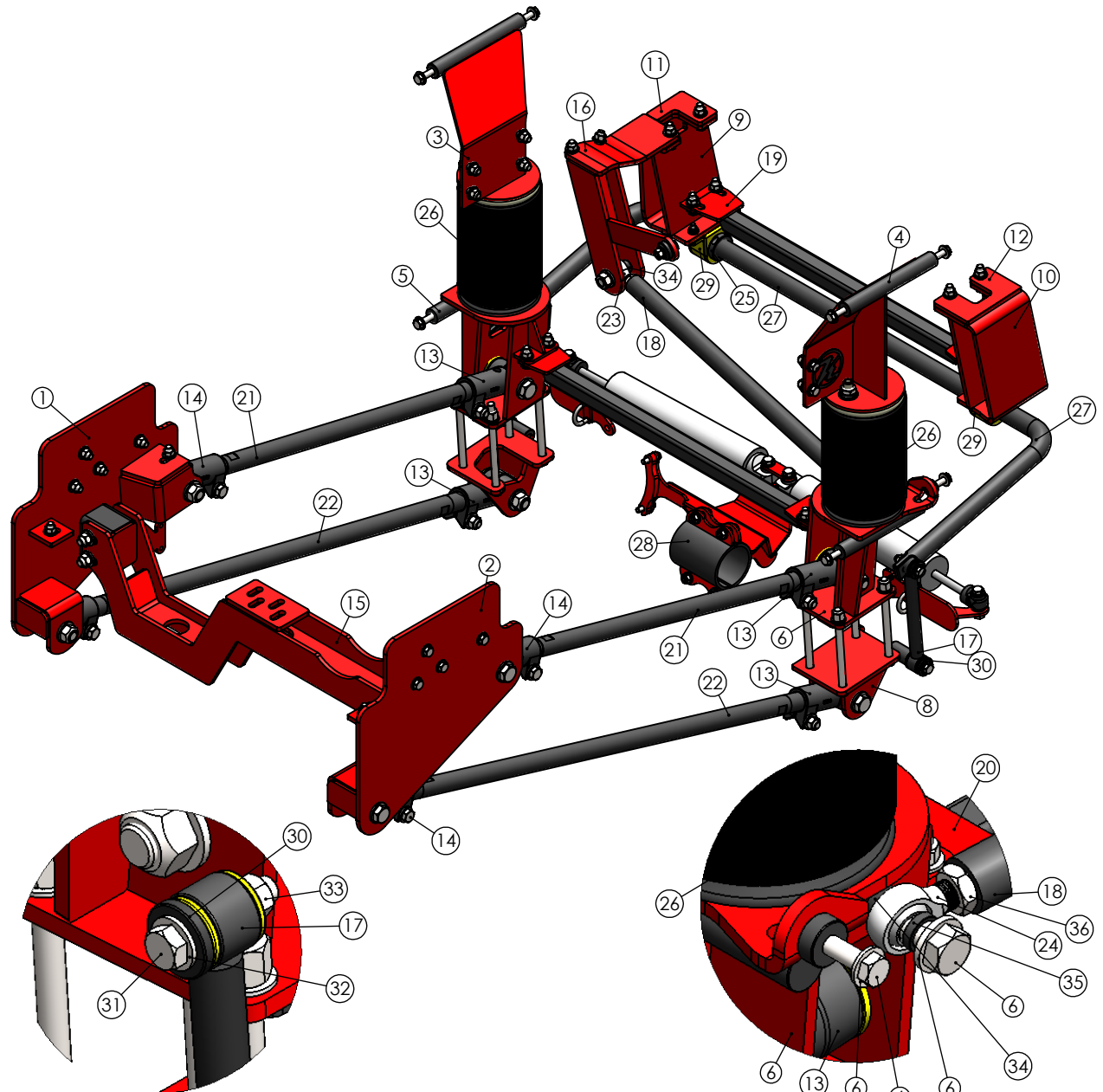


ITEM NO.	PART NUMBER	DESCRIPTION	QTY.
1	11100	(DS) Side Plate	1
2	10999	(PS) Side Plate	1
3	10482	(DS) Upper Bag / Shock Mount	1
4	10000	(PS) Upper Bag / Shock Mount	1
5	10498	(DS) Upper Trailing Arm Mount	1
6	10486	(PS) Upper Trailing Arm Mount	1
7	10505	(DS) Lower Trailing Arm Mount	1
8	14765	(PS) Lower Trailing Arm Mount	1
9	11741	(DS) Sway Bar Bracket	1
10	11675	(PS) Sway Bar Bracket	1
11	11751	(DS) Sway Bar Spacer Plate	1
12	20267	(PS) Sway Bar Spacer Plate	1
13	18498	Trailing Arm Knuckle 10006 (LHT)	4
14	18499	Trailing Arm Knuckle 10005 (RHT)	4
15	10288	Transmission Crossmember	1
16	10510	(PHB) Drop	1
17	30295	9.75" End Links	2
18	11811	29.50" Panhard Bar	1
19	16372	31" Crossmember	1
20	10565	32.25" Crossmember	1
21	52136	36" Trailing Arm Bar	2
22	52150	50" Trailing Arm Bar	2
23	80109	(RH) Ball Joint Rod End 3/4-16 x 3/4"	1
24	80110	(LH) Ball Joint Rod End 3/4-16 x 3/4"	1
25	14695	1.375" Lock Collar	2
26	80012-8979	Firestone 8979	2
27	1139-159KLD	SWAY BAR - 1.50"	1
28	30169	Steering Stabilizer	1
29	80140	4139-180 Sway Bar Bushing Kit 1.5"	2
30	11551	1.5"OD x .53" ID x 1/4"	4
31	12017	Bolt - 1/2"-20 X 2 1/2" Gr.8	2
32	13024	1/2" Flat Washer	4
33	13124	1/2"-20 Lock Nut	2
34	10199	Heim Spacer .440" (3/4" Bolt)	3
35	10195	Heim Spacer .25" (3/4" Bolt)	1
36	13208	Jam Nut - 3/4"	2



							<b>A</b> DO NOT SCALE DRAWING 1:64 Approximate Weight = 493.59477196 lbs	
					3RD ANGLE PROJECTION		MATL SPECS:	
					UNLESS OTHERWISE SPEC. DIMINS. IN INCHES STD. TOLERANCES X.X ± .060 X.XXX ± .030 X.XXXX ± .010 FRAC.DIM. ± 1/32" Deg. ± .5°		DESCRIPTION: <b>Kelderman 4-Link (Front) 12-14" Lift</b>	
							PROJECT: <b>1999-2004 F250-350 Pickup / 2005 Excursion</b>	
							PART NUMBER: <b>KLM-11157</b>	
							NOTICE: THIS DOCUMENT AND ITS CONTENTS ARE THE PROPERTY OF KELDERMAN MFG. NO USE OR COPIES MAY BE MADE WITHOUT WRITTEN PERMISSION FROM KELDERMAN	
REV	ECN	CHANGE DESCRIPTION	CHANGE BY	DATE	DESIGN BY: <b>ZB18</b>		DATE: <b>4/24/2018</b>	



