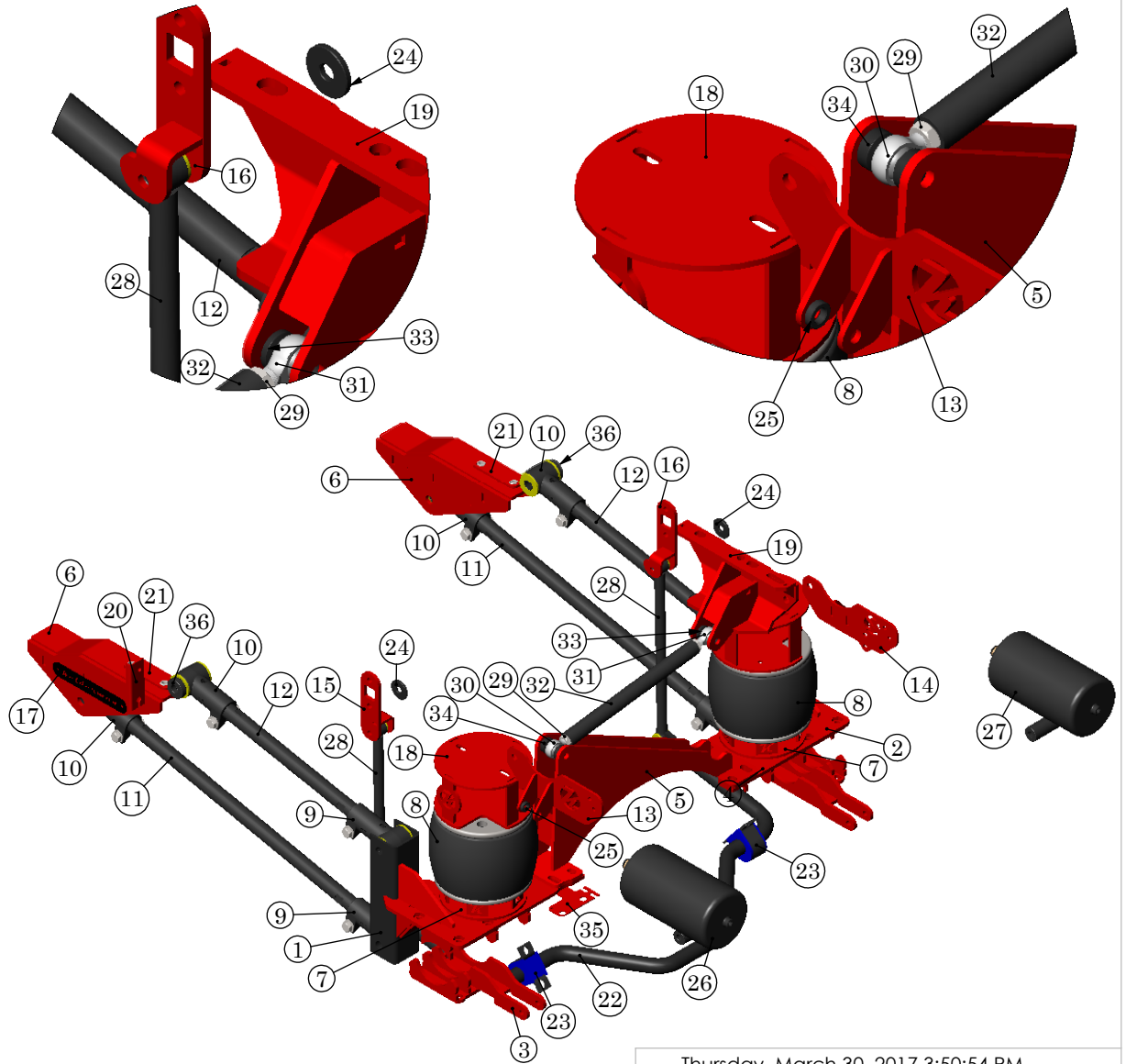


ITEM NO.	PART #	DESCRIPTION	QTY.
1	69257	(DS) Lower Axle/Bag Mount 4.5" Axle	1
2	69256	(PS) Lower Axle/Bag Mount 4.5" Axle	1
3	69164	(DS) 4.5" Axle/Shock Bracket	1
4	69165	(PS) 4.5" Axle/Shock Bracket	1
5	69258	(PHB) Crossmember	1
6	69321	Trailing Arm/Frame Mount	2
7	69254	2" Riser	2
8	5748	5748 Firestone Air Bag	2
9	18498	Trailing Arm Knuckle 10006	4
10	18499	Trailing Arm Knuckle 10005	4
11	52136	34" Trailing Arm Bar	2
12	52124	21.5" Trailing Arm Bar	2
13	69316	(DS) Upper Shock Mount	1
14	69319	(PS) Upper Shock Mount	1
15	69335	(DS) End-Link Bracket	1
16	69338	(PS) End-Link Bracket	1
17	69340	Plate 14ga - Kelderman Badge	2
18	69439	(DS) Upper Bag/Frame Mount	1
19	69440	(PS) Upper Bag/Frame Mount	1
20	69444	Brake Reloaction Bracket	1
21	69446	Perch Mounting Tab	2
22	1139-182KLD	1139-182KLD Sway Bar	1
23	80140	4139-180KLD	2
24	16955	(PHB) Spacer (5/8" Bolt)	2
25	18769	Shock Bushing	2
26	69150	(DS) Accumulator Tank	1
27	69151	(PS) Accumulator Tank	1
28	16777	19" End Link	2
29	13208	Jam Nut - 3/4"	2
30	80109	(RH) Ball Joint Rod End 3/4-16 x 3/4"	1
31	80110	(LH) Ball Joint Rod End 3/4-16 x 3/4"	1
32	69470	16.5" Panhard Bar	1
33	18786	Narrow Pan Hard Bar Reducer/Spacer 3/4" To 5/8" Bolt	2
34	18785	Wide Pan Hard Bar Reducer/Spacer 5/8" To 3/4" Bolt	2
35	69036	Rear Axle Brake Line Bracket	1
36	18768	Bushing - 2" OD x .875" ID x .5625" Thick	2



UNLESS OTHERWISE SPECIFIED:  
 DIMENSIONS ARE IN INCHES  
 TOLERANCES, Unless Specified  
 FRACTIONAL  $\pm 1/32$ "  
 ANGULAR: MACH  $\pm .5^\circ$   
 TWO PLACE DECIMAL  $\pm .03$   
 THREE PLACE DECIMAL  $\pm .010$

**MATERIAL**

**FINISH**

**WEIGHT**

DESIGN BY ZPB  
 Shelf #/ QTY  
 NEW DXF  
 Run QTY

**PROPRIETARY AND CONFIDENTIAL**

THE INFORMATION CONTAINED IN THIS DRAWING IS THE SOLE PROPERTY OF KELDERMAN MFG. INC. ANY REPRODUCTION IN PART OR AS A WHOLE WITHOUT THE WRITTEN PERMISSION OF KELDERMAN MFG. INC. IS PROHIBITED.

Thursday, March 30, 2017 3:50:54 PM

Project:  
 207 F350 Pickup Dual Rear Wheel  
 TITLE:  
 4-Link 6-8" Lift 4.5" Axle

DWG. NO. KLM-69018

SCALE: 1:32

**kelderman**

DO NOT SCALE DRAWING

SHEET 2 OF 2