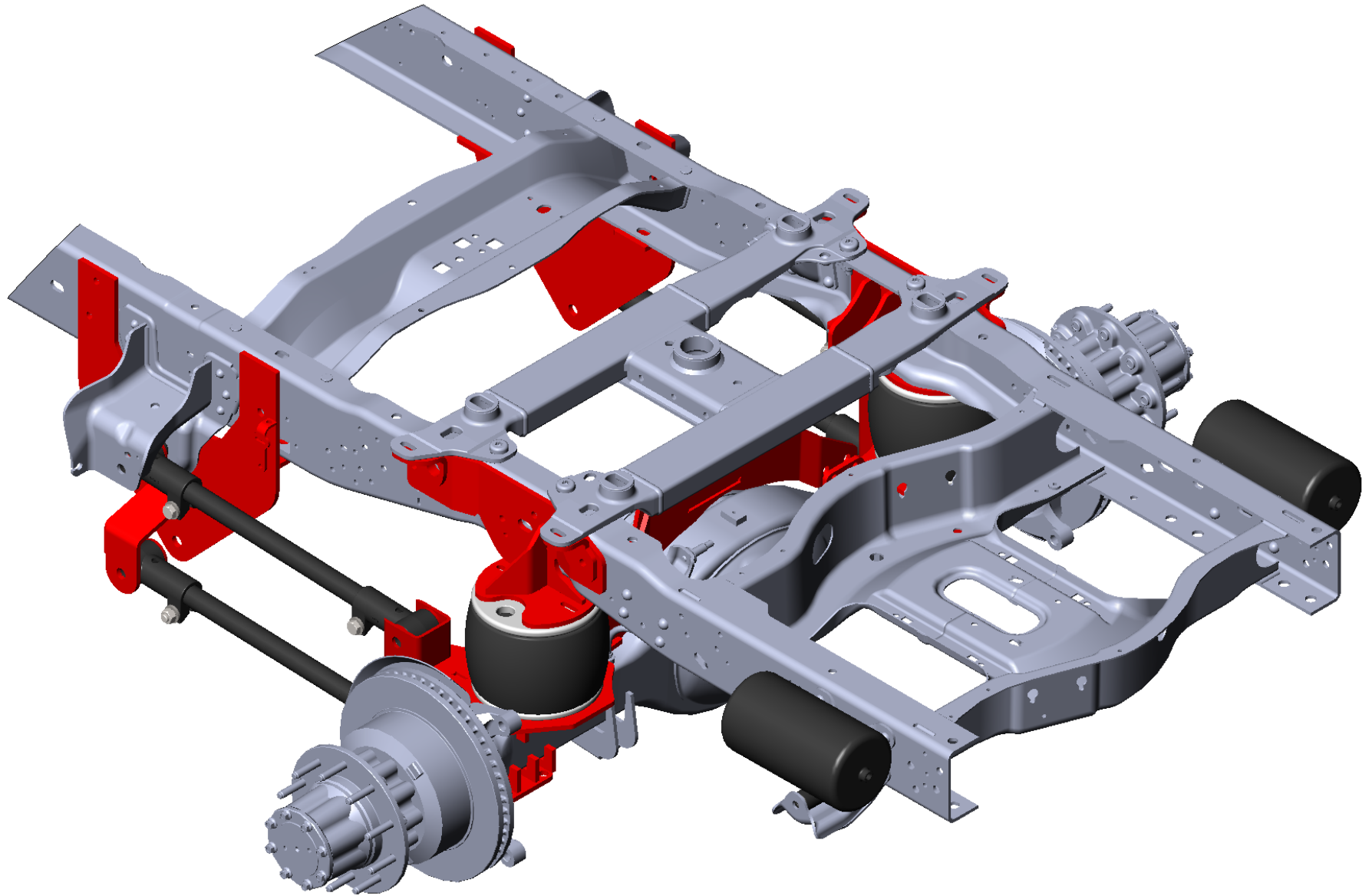
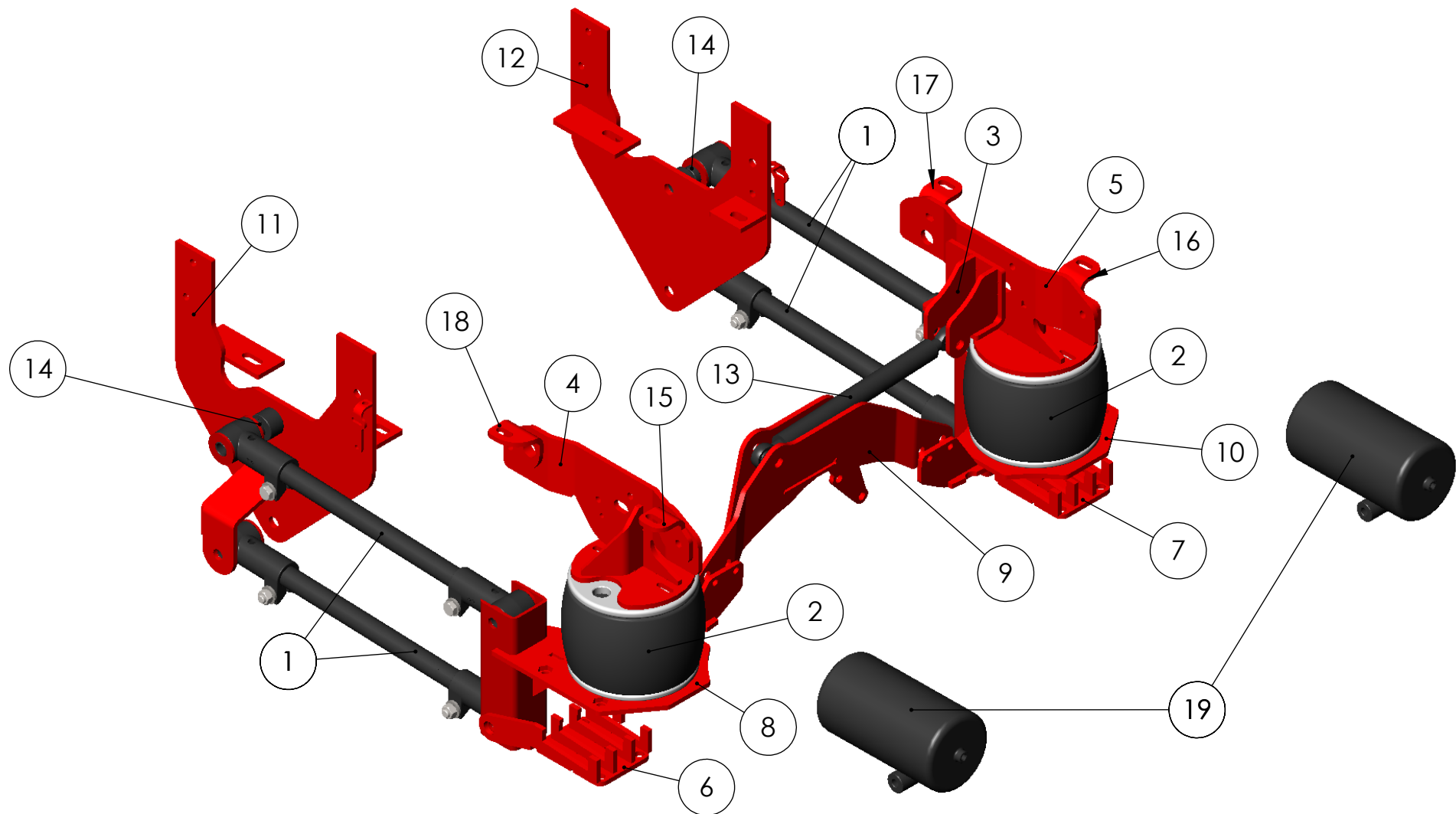


2015 F450 P/U
Kit Number: 22343





ITEM NO.	PART NUMBER	DESCRIPTION	Kit/QTY.
1	10567	Trailing Arm	4
2	5748	5748 Firestone Air Bag	2
3	22335	(PHB) Upper Frame Mount	1
4	22330	(DS) Upper Frame/Bag Mount	1
5	22331	(PS) Upper Bag Mount	1
6	22327	(DS) Lower Axle Clamp	1
7	22336	(PS) Lower Axle Clamp	1
8	22323	(DS) Lower Bag Mount	1
9	22337	(PHB) Crossmember	1
10	22338	(PS) Lower Bag Mount	1
11	70508	(DS) Side Plate	1
12	70509	(PS) Side Plate	1
13	22339	Pan Hard Bar 15" Blank w/ 3/4" Hiems	1
14	30267	Bushing - 1.5" OD x .875" ID x .5" Thick	2
15	22344	(DS) Rear 5th Wheel Hitch Mount	1
16	22345	(PS) Rear 5th Wheel Hitch Mount	1
17	22346	(PS) Front 5th Wheel Hitch Mount	1
18	22347	(DS) Front 5th Wheel Hitch Mount	1
19	21002	Ford Accumulator Tank	2