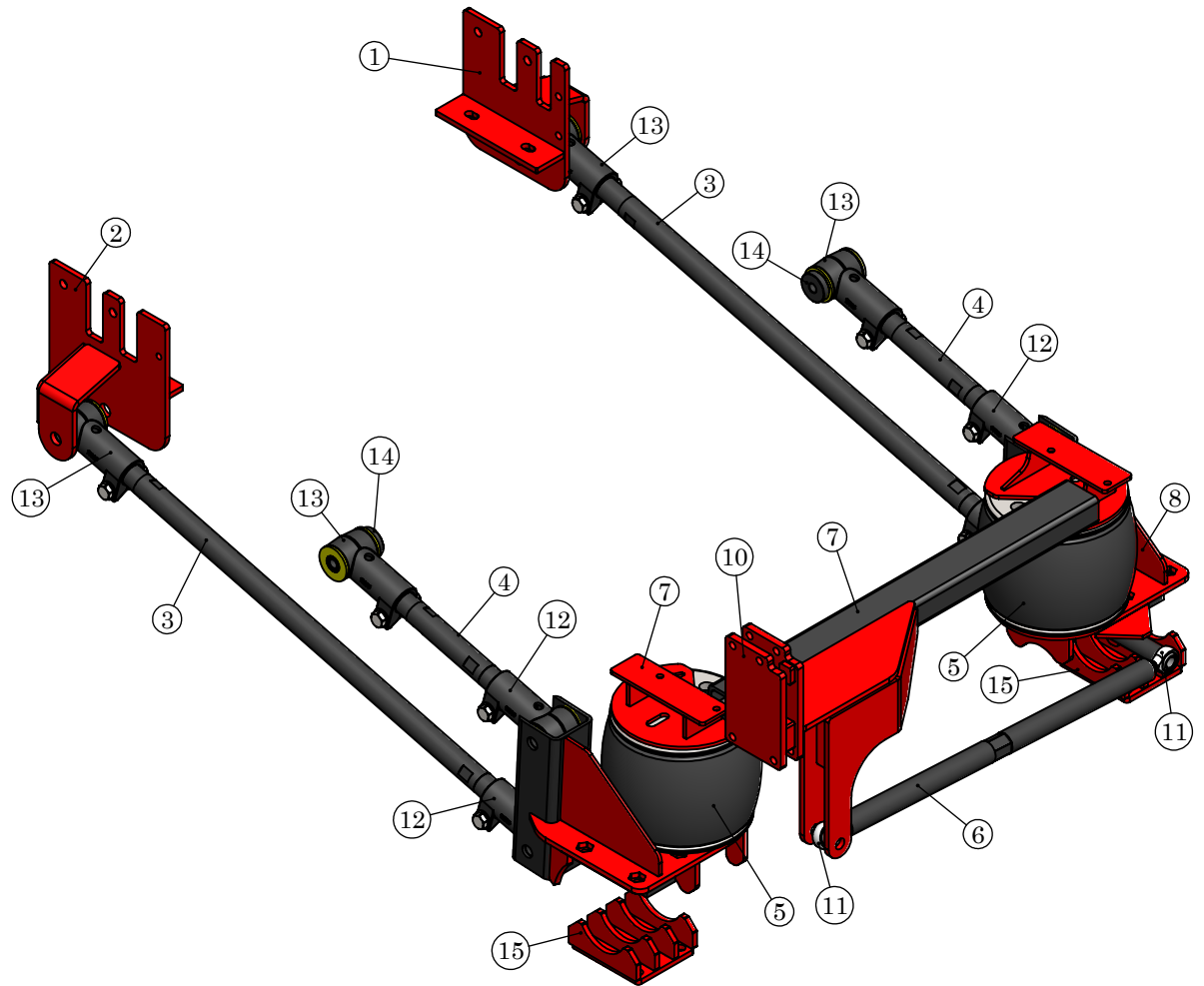


ITEM NO.	PART NUMBER	DESCRIPTION	QTY.
1	10141	(PS) Perch Mount	1
2	10142	(DS) Perch Mount	1
3	52139	39" Trailing Arm Bar	2
4	52114.5	14.5" Trailing Arm Bar	2
5	5748	5748 Firestone Air Bag	2
6	10886	27" Panhard Bar	1
7	16507	Crossmember/ Upper Bag Bracket	1
8	11453	MOUNT - BAG LOWER (DS)	1
9	11453-1	MOUNT - BAG LOWER (DS)	1
10	15191	Panhard Bar Backing Plate	1
11	80109	(RH) Ball Joint Rod End 3/4-16 x 3/4"	2
12	18498	Trailing Arm Knuckle 10006	4
13	18499	Trailing Arm Knuckle 10005	4
14	18511	Knuckle Step Bushing	2
15	10043	4" Lower Round Axle Clamp	2



Tuesday, March 21, 2017 3:03:36 PM

Project: 1994-2002 G2 Dodge Pickup

TITLE: Stock Height 4-Link Rear

DWG. NO. 14516

SCALE: 1:32

kelderman

DO NOT SCALE DRAWING

SHEET 1 OF 2

UNLESS OTHERWISE SPECIFIED:
 DIMENSIONS ARE IN INCHES
 TOLERANCES, Unless Specified
 FRACTIONAL $\pm 1/32"$
 ANGULAR: MACH $\pm .5^\circ$
 TWO PLACE DECIMAL $\pm .03$
 THREE PLACE DECIMAL $\pm .010$

MATERIAL

FINISH

WEIGHT

316.77

DESIGN BY

ZPB

Shelf #/ QTY

NEW DXF

Run QTY

PROPRIETARY AND CONFIDENTIAL

THE INFORMATION CONTAINED IN THIS
 DRAWING IS THE SOLE PROPERTY OF
 KELDERMAN MFG. INC. ANY
 REPRODUCTION IN PART OR AS A WHOLE
 WITHOUT THE WRITTEN PERMISSION OF
 KELDERMAN MFG. INC. IS PROHIBITED.

