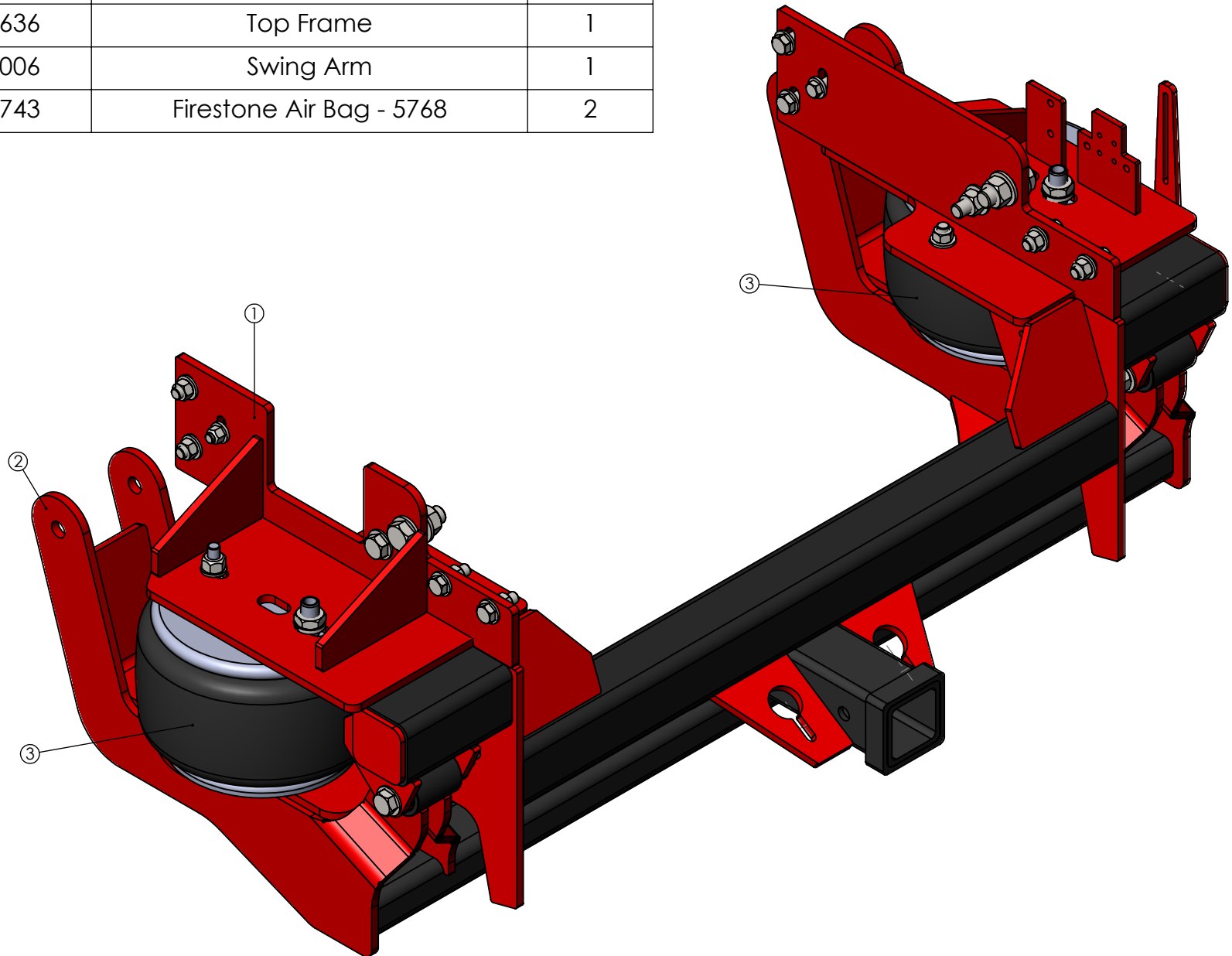
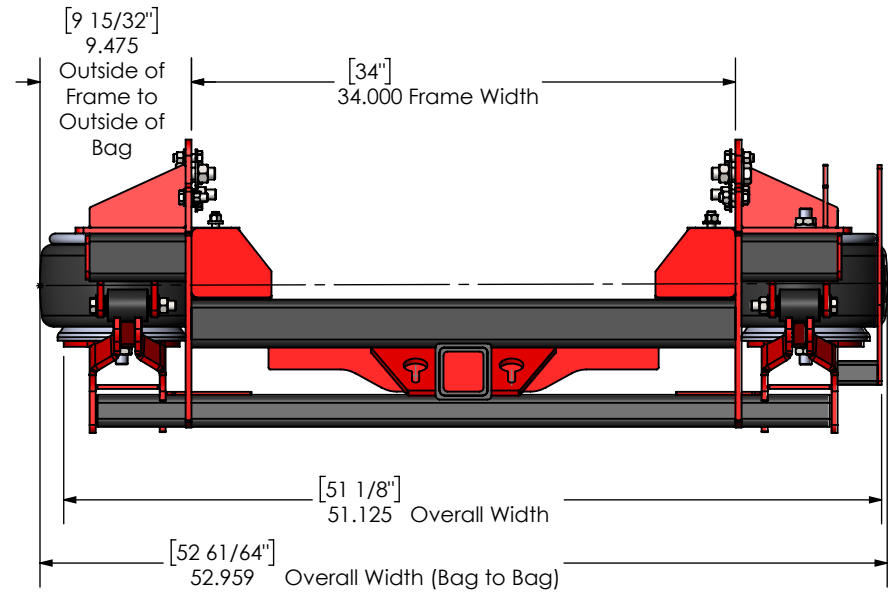
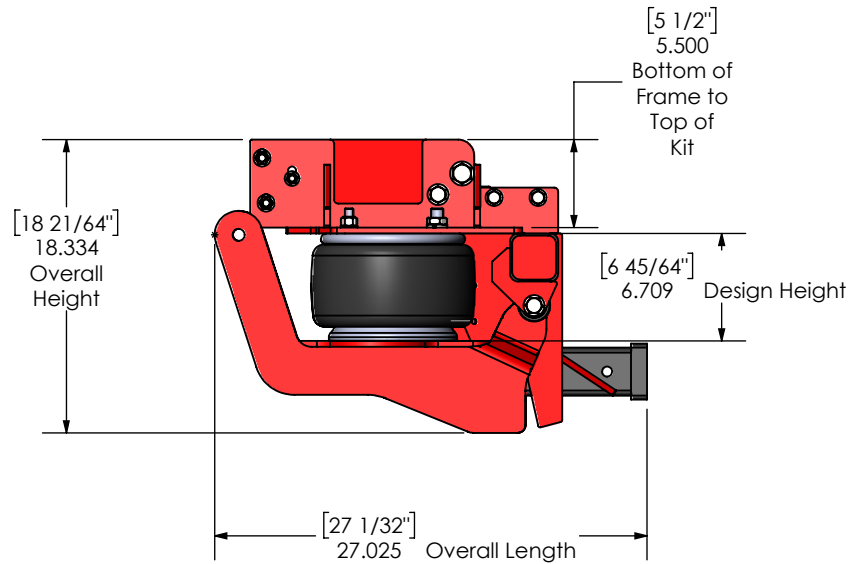
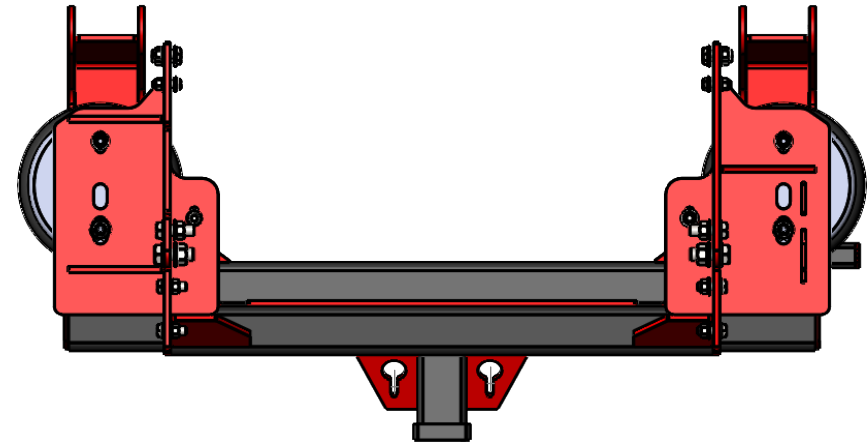


ITEM NO.	PART NUMBER	DESCRIPTION	QTY.
1	15636	Top Frame	1
2	19006	Swing Arm	1
3	15743	Firestone Air Bag - 5768	2



					 3RD ANGLE PROJECTION	A DO NOT SCALE DRAWING	1:16	Approximate Weight = 221.07 lbs
					UNLESS OTHERWISE SPEC. DIMINS. IN INCHES STD. TOLERANCES X.X ± .060 X.XXX ± .030 X.XXXX ± .010 FRAC.DIM. ± 1/32" Deg. ± .5°	MATL SPECS: DESCRIPTION: 2-Stage Rear w/ Hitch		
					PROJECT: 2008+ Ram 4500/5500 Chassis Cab			
					PART NUMBER: KLM-19009			
REV	ECN	CHANGE DESCRIPTION	CHANGE BY	DATE	DESIGN BY: ZB18	DATE: 3/6/2018	NOTICE: THIS DOCUMENT AND ITS CONTENTS ARE THE PROPERTY OF KELDERMAN MFG. NO USE OR COPIES MAY BE MADE WITHOUT WRITTEN PERMISSION FROM KELDERMAN	





						A DO NOT SCALE DRAWING	1:16	Approximate Weight = 221.07 lbs
					3RD ANGLE PROJECTION	MATL SPECS:		
					UNLESS OTHERWISE SPEC. DIMINS. IN INCHES STD. TOLERANCES X.X ± 0.60 X.XX ± 0.30 X.XXX ± 0.10 FRAC.DIM. ± 1/32" Deg. ± .5°	DESCRIPTION: 2-Stage Rear w/ Hitch		
						PROJECT: 2008+ Ram 4500/5500 Chassis Cab		
						PART NUMBER: KLM-19009		
						NOTICE: THIS DOCUMENT AND ITS CONTENTS ARE THE PROPERTY OF KELDERMAN MFG. NO USE OR COPIES MAY BE MADE WITHOUT WRITTEN PERMISSION FROM KELDERMAN		
REV	ECN	CHANGE DESCRIPTION	CHANGE BY	DATE	DESIGN BY: ZB18	DATE: 3/6/2018		
								SHEET 3 OF 3