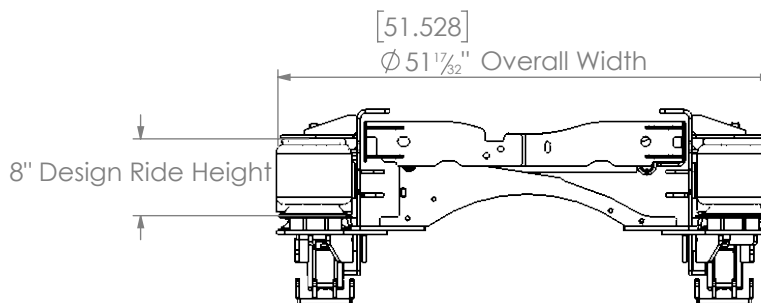
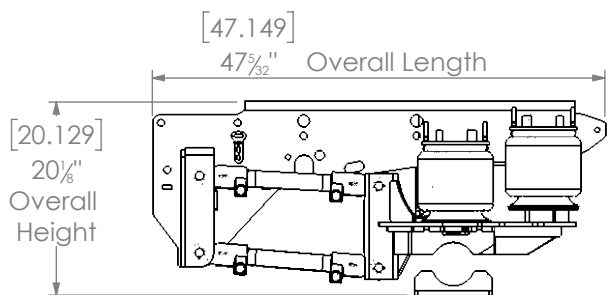
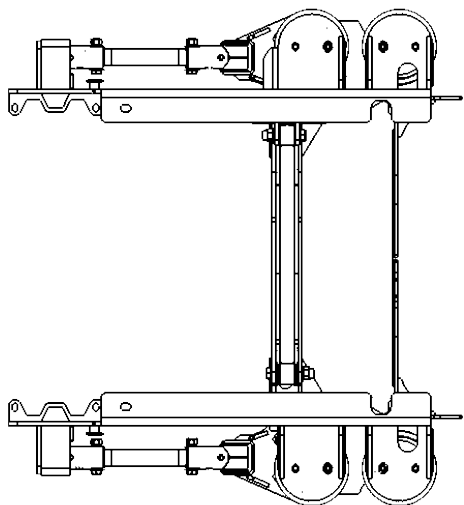


ITEM NO.	PART NUMBER	DESCRIPTION	Default/QTY.
1	69225	(DS) Lower Bag Mount	1
2	80012-5323	Firestone 5323	4
3	69193	(DS) Upper Bag / Frame Mount	1
4	69208	(PHB) Upper Bracket (3/4" Bolt)	1
5	69209	(PHB) Crossmember (3/4" Bolt)	1
6	69239	(DS) Lower Bag Mount	1
7	69214	4.5" Lower Axle Clamp	2
8	69194	(PS) Frame/Bag Mount	1
9	69218	Fuel Tank Crossmember	1
10	17576	(PHB) 24 3/4" Centers 3/4" Bolt	1
11	18499	Trailing Arm Knuckle 10005	4
12	18498	Trailing Arm Knuckle 10006	4
13	10014	Bar - Trailing Arm	4

UNLESS OTHERWISE SPECIFIED: DIMENSIONS ARE IN INCHES TOLERANCES: FRACTIONAL ± 1/32" ANGULAR: MACH ± 1 BEND ± 1 TWO PLACE DECIMAL ±.030 THREE PLACE DECIMAL ±.010 MATERIAL FINISH WEIGHT	Design By:	Zach Beltz 2014	Project:	2017 F450-550 Cab Chassis	
	Shelf # / Qty			Description:	Stock Height 4-Link Rear
	Inventory		SIZE		DWG. NO.
	Run Qty:		A	KLM-69210	
PROPRIETARY AND CONFIDENTIAL THE INFORMATION CONTAINED IN THIS DRAWING IS THE SOLE PROPERTY OF KELDERMAN MFG. INC. ANY REPRODUCTION IN PART OR AS A WHOLE WITHOUT THE WRITTEN PERMISSION OF KELDERMAN MFG. INC. IS PROHIBITED.					



UNLESS OTHERWISE SPECIFIED: DIMENSIONS ARE IN INCHES TOLERANCES: FRACTIONAL ± 1/32" ANGULAR: MACH ± 1 BEND ± 1 TWO PLACE DECIMAL ± .030 THREE PLACE DECIMAL ± .010 MATERIAL FINISH WEIGHT 394.30	Design By: Zach Beltz 2014	Project: 2017 F450-550 Cab Chassis
	Shelf # / Qty	Description: Stock Height 4-Link Rear
	Inventory	SIZE DWG. NO. A KLM-69210
	Run Qty:	SCALE: 1:20 DO NOT SCALE DRAWING SHEET 3 OF 7
PROPRIETARY AND CONFIDENTIAL THE INFORMATION CONTAINED IN THIS DRAWING IS THE SOLE PROPERTY OF KELDERMAN MFG. INC. ANY REPRODUCTION IN PART OR AS A WHOLE WITHOUT THE WRITTEN PERMISSION OF KELDERMAN MFG. INC. IS PROHIBITED.		

