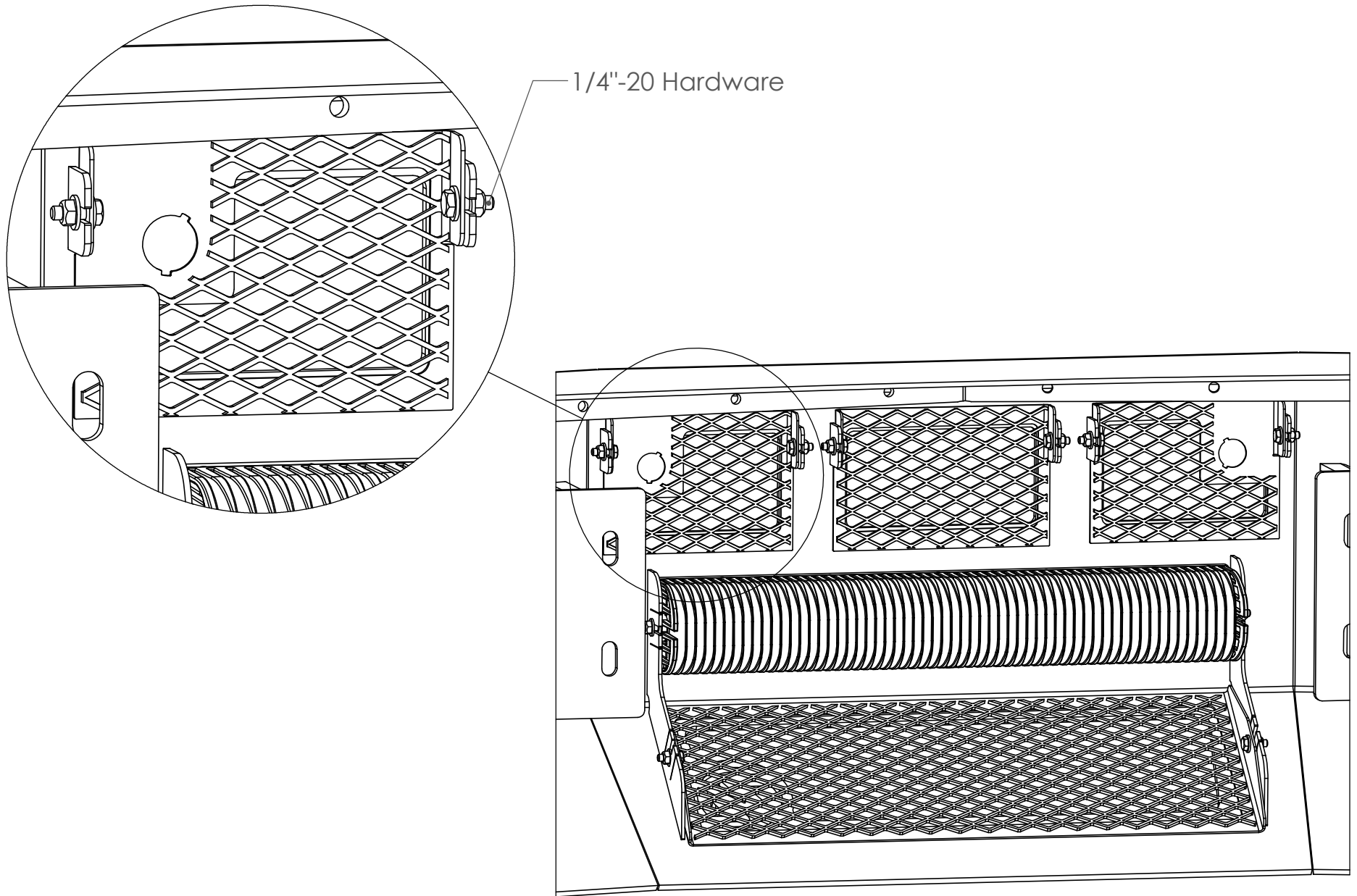


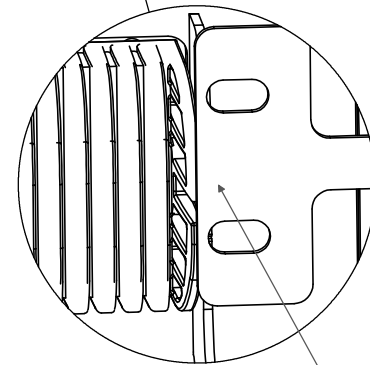
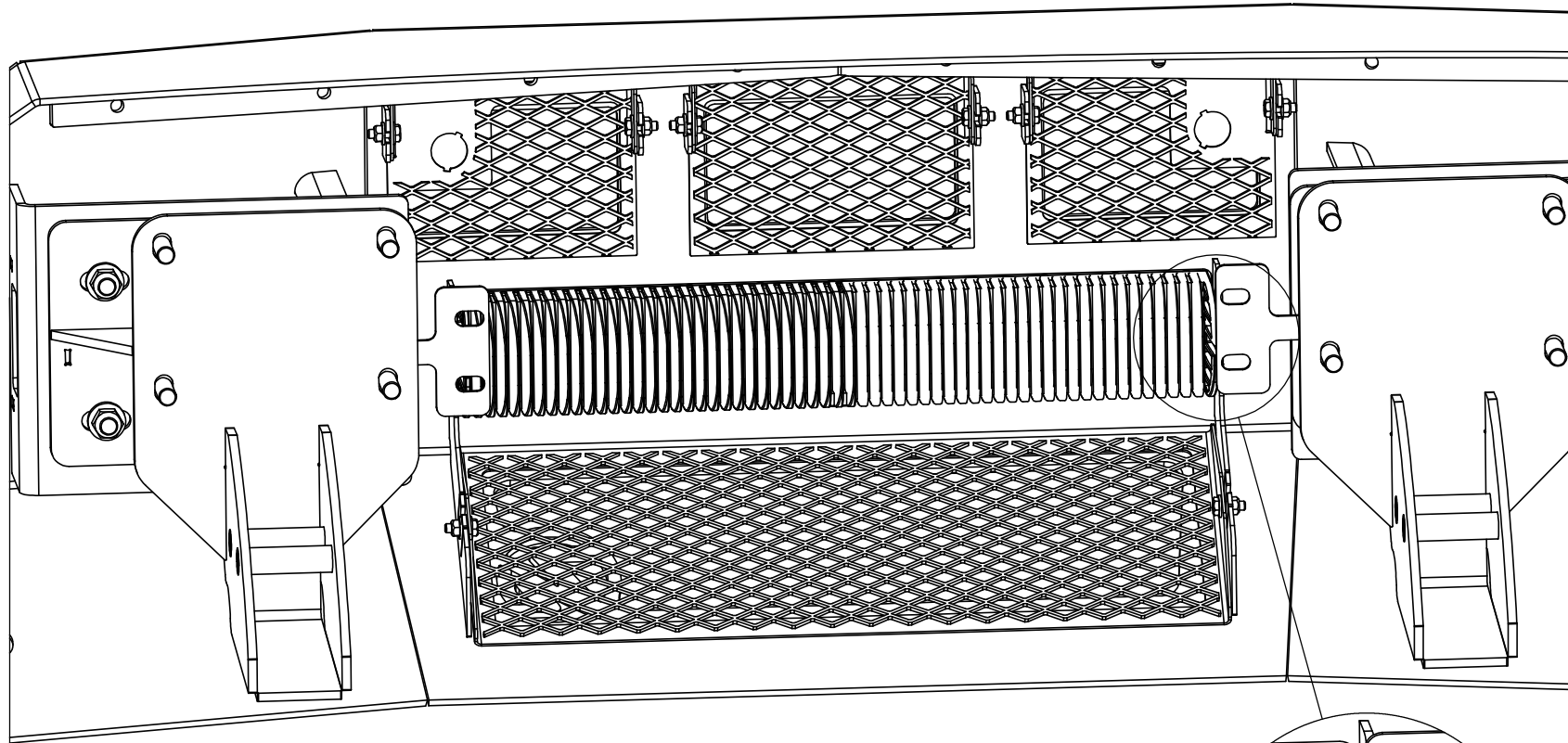
					 3RD ANGLE PROJECTION	A DO NOT SCALE DRAWING 1:20 Approximate Weight = lbs
					UNLESS OTHERWISE SPEC. DIMNS. IN INCHES STD. TOLERANCES X.X ±.060 X.XX ±.030 X.XXX ±.010 FRAC.DIM. ±1/32" Deg. ± .5°	MATL SPECS: DESCRIPTION: Kit - Front Bumper - With Options
					PROJECT: 2020 - Chevrolet 2500-3500HD Front Bumper	 NOTICE: THIS DOCUMENT AND ITS CONTENTS ARE THE PROPERTY OF KELDERMAN MFG. NO USE OR COPIES MAY BE MADE WITHOUT WRITTEN PERMISSION FROM KELDERMAN
					PART NUMBER: 2020 Chevrolet Bravo Front Bumper Interim Install Instructions (10006618)	
REV	ECN	CHANGE DESCRIPTION	CHANGE BY	DATE	DESIGN BY: Kyle Huelsman	DATE: 7/28/2020





					 3RD ANGLE PROJECTION	A DO NOT SCALE DRAWING 1:20 Approximate Weight = lbs
					UNLESS OTHERWISE SPEC. DIMENS. IN INCHES STD. TOLERANCES X.X ±.060 X.XX ±.030 X.XXX ±.010 FRAC.DIM. ±1/32" Deg. ± .5°	MATL SPECS: DESCRIPTION: Kit - Front Bumper - With Options
					PROJECT: 2020 - Chevrolet 2500-3500HD Front Bumper	 <small>NOTICE: THIS DOCUMENT AND ITS CONTENTS ARE THE PROPERTY OF KELDERMAN MFG. NO USE OR COPIES MAY BE MADE WITHOUT WRITTEN PERMISSION FROM KELDERMAN.</small>
					PART NUMBER: 2020 Chevrolet Bravo Front Bumper Interim Install Instructions (10006618)	
REV	ECN	CHANGE DESCRIPTION	CHANGE BY	DATE	DESIGN BY: Kyle Huelsman DATE: 7/28/2020	



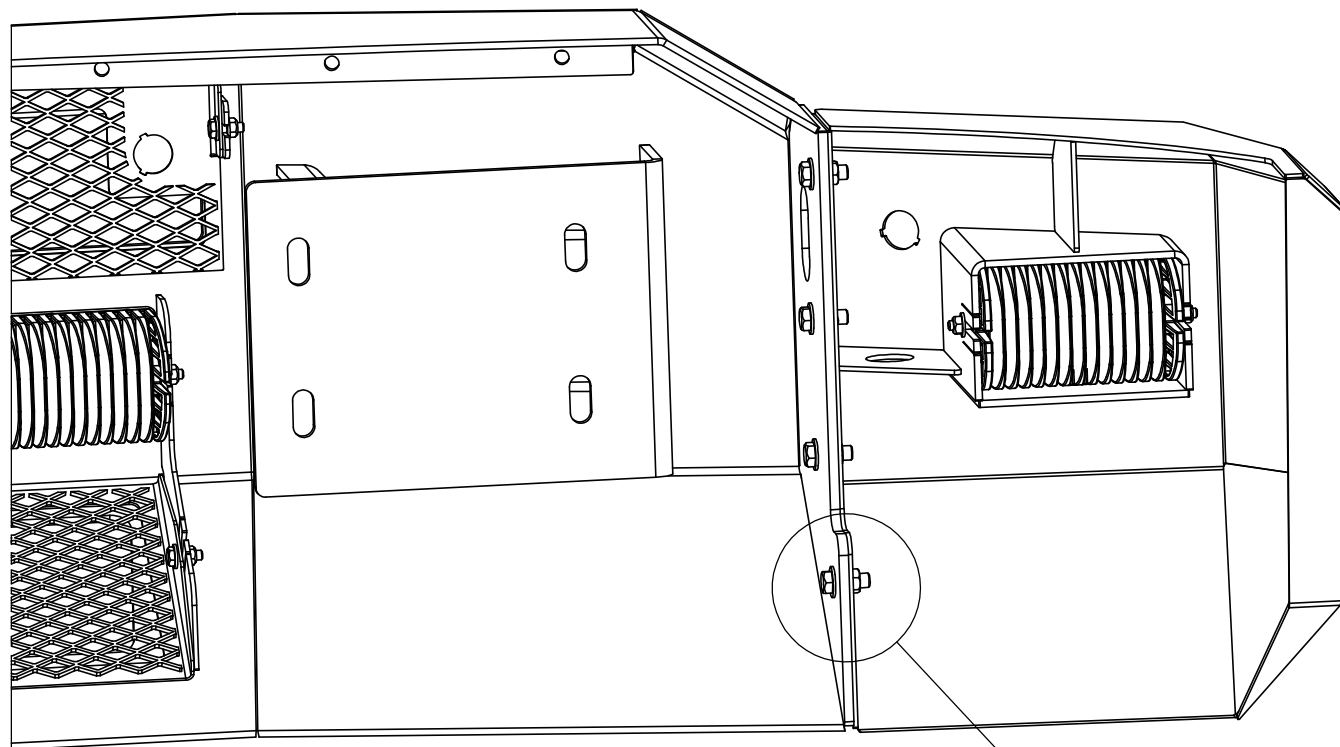


1/4"-20 Hardware
(All Lights)

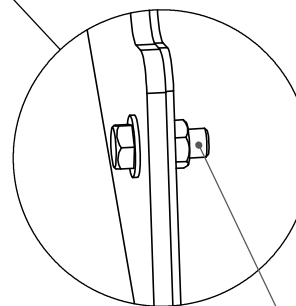
					 3RD ANGLE PROJECTION	A DO NOT SCALE DRAWING 1:20 Approximate Weight = lbs
					UNLESS OTHERWISE SPEC. DIMNS. IN INCHES STD. TOLERANCES X.X ±.060 X.XX ±.030 X.XXX ±.010 FRAC.DIM. ±1/32" Deg. ± .5°	MATL SPECS: DESCRIPTION: Kit - Front Bumper - With Options
						PROJECT: 2020 - Chevrolet 2500-3500HD Front Bumper
						PART NUMBER: 2020 Chevrolet Bravo Front Bumper Interim Install Instructions (10006618)
REV	ECN	CHANGE DESCRIPTION	CHANGE BY	DATE		DESIGN BY: Kyle Huelsman DATE: 7/28/2020



NOTICE: THIS DOCUMENT AND ITS CONTENTS ARE THE PROPERTY OF KELDERMAN MFG. NO USE OR COPIES MAY BE MADE WITHOUT WRITTEN PERMISSION FROM KELDERMAN



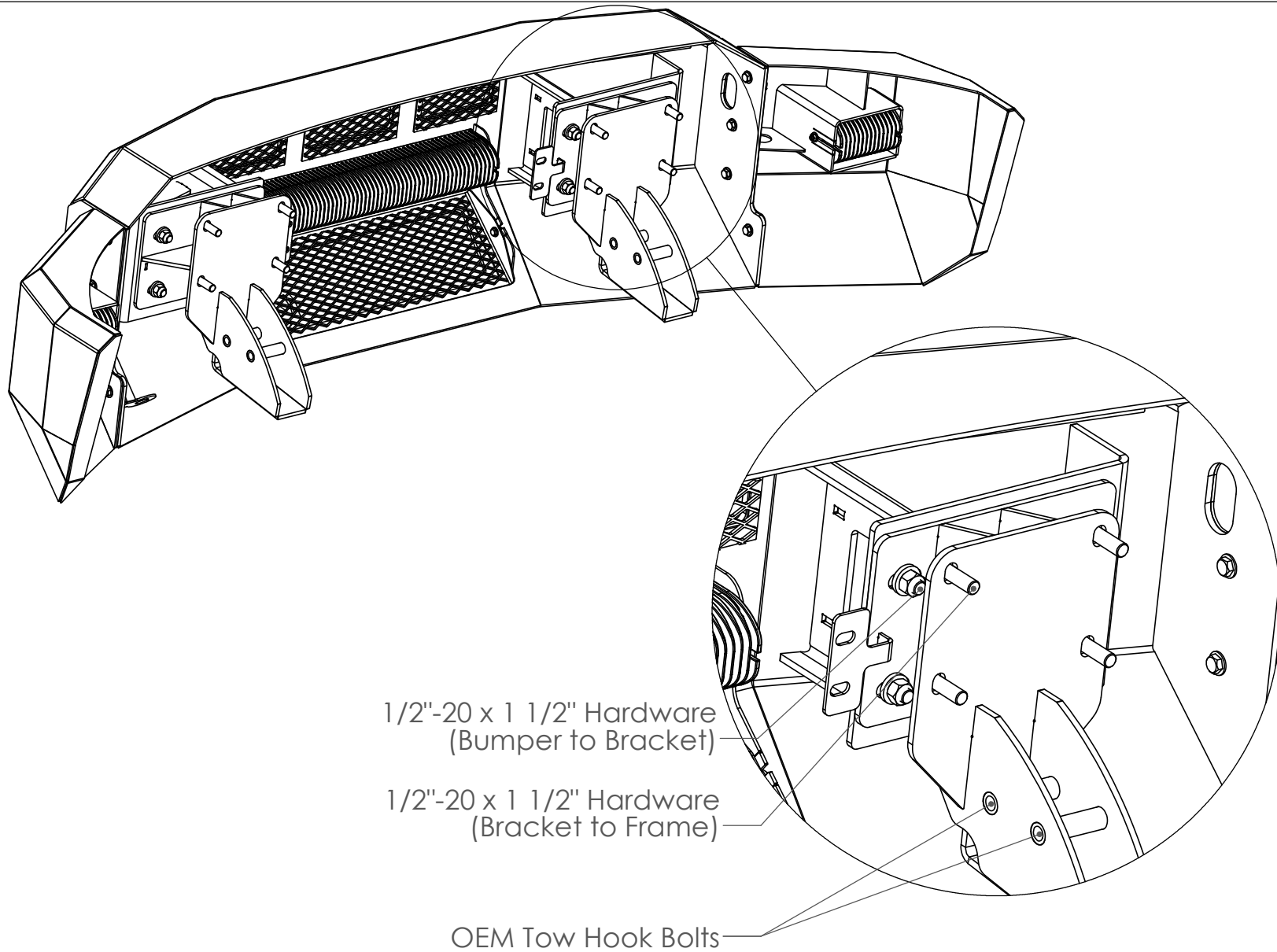
NOTE: Optional block heater bracket will use lower two wing bolts on Driver's side wing



3/8"-16 Hardware

					 3RD ANGLE PROJECTION	A DO NOT SCALE DRAWING	1:20	Approximate Weight = lbs
					UNLESS OTHERWISE SPEC. DIMNS. IN INCHES STD. TOLERANCES X.X ±.060 X.XX ±.030 X.XXX ±.010 FRAC.DIM. ±1/32" Deg. ±.5°	MATL SPECS: DESCRIPTION: Kit - Front Bumper - With Options		
					PROJECT: 2020 - Chevrolet 2500-3500HD Front Bumper			
					PART NUMBER: 2020 Chevrolet Bravo Front Bumper Interim Install Instructions (10006618)			
REV	ECN	CHANGE DESCRIPTION	CHANGE BY	DATE	DESIGN BY: Kyle Huelsman DATE: 7/28/2020			NOTICE: THIS DOCUMENT AND ITS CONTENTS ARE THE PROPERTY OF KELDERMAN MFG. NO USE OR COPIES MAY BE MADE WITHOUT WRITTEN PERMISSION FROM KELDERMAN.





1/2"-20 x 1 1/2" Hardware
(Bumper to Bracket)

1/2"-20 x 1 1/2" Hardware
(Bracket to Frame)

OEM Tow Hook Bolts

					 3RD ANGLE PROJECTION	A	DO NOT SCALE DRAWING	1:20	Approximate Weight = lbs
					UNLESS OTHERWISE SPEC. DIMNS. IN INCHES STD. TOLERANCES X.X ±.060 X.XX ±.030 X.XXX ±.010 FRAC.DIM. ±1/32" Deg. ± .5°	MATL SPECS: DESCRIPTION: Kit - Front Bumper - With Options			
					PROJECT: 2020 - Chevrolet 2500-3500HD Front Bumper				
					PART NUMBER: 2020 Chevrolet Bravo Front Bumper Interim Install Instructions (10006618)				
REV	ECN	CHANGE DESCRIPTION	CHANGE BY	DATE	DESIGN BY: Kyle Huelsman		DATE: 7/28/2020		NOTICE: THIS DOCUMENT AND ITS CONTENTS ARE THE PROPERTY OF KELDERSMAN MFG. NO USE OR COPIES MAY BE MADE WITHOUT WRITTEN PERMISSION FROM KELDERSMAN

