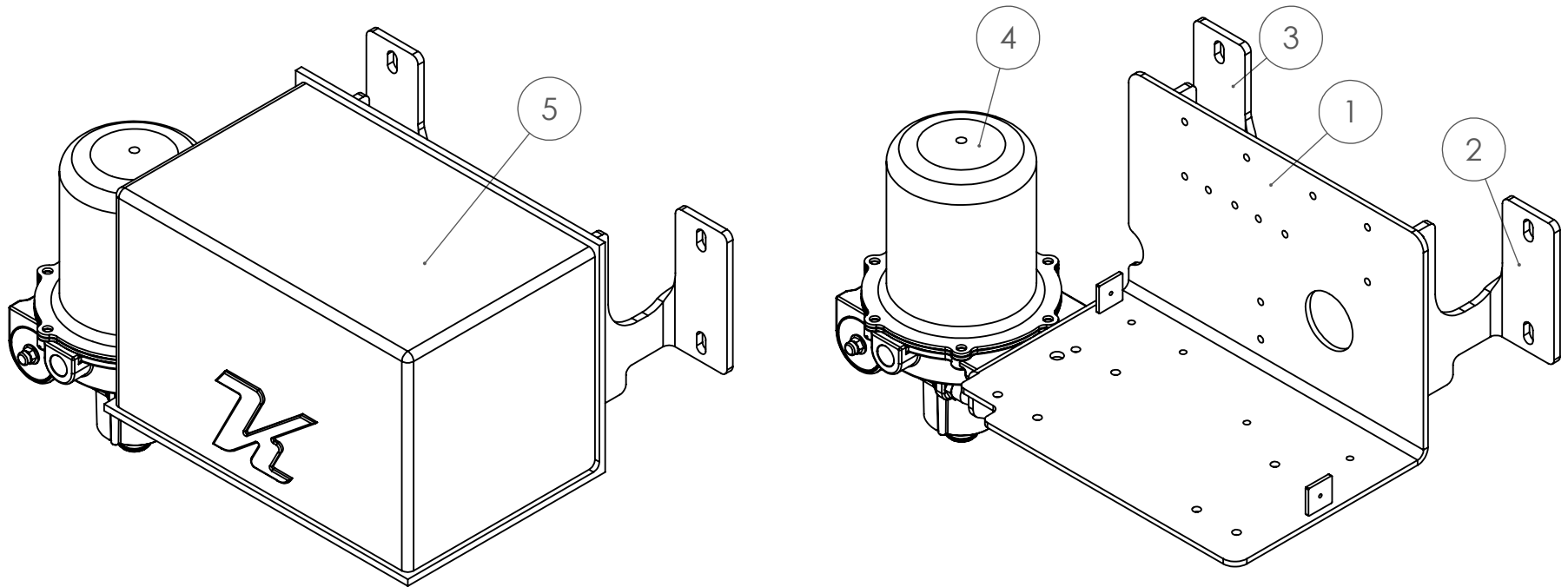
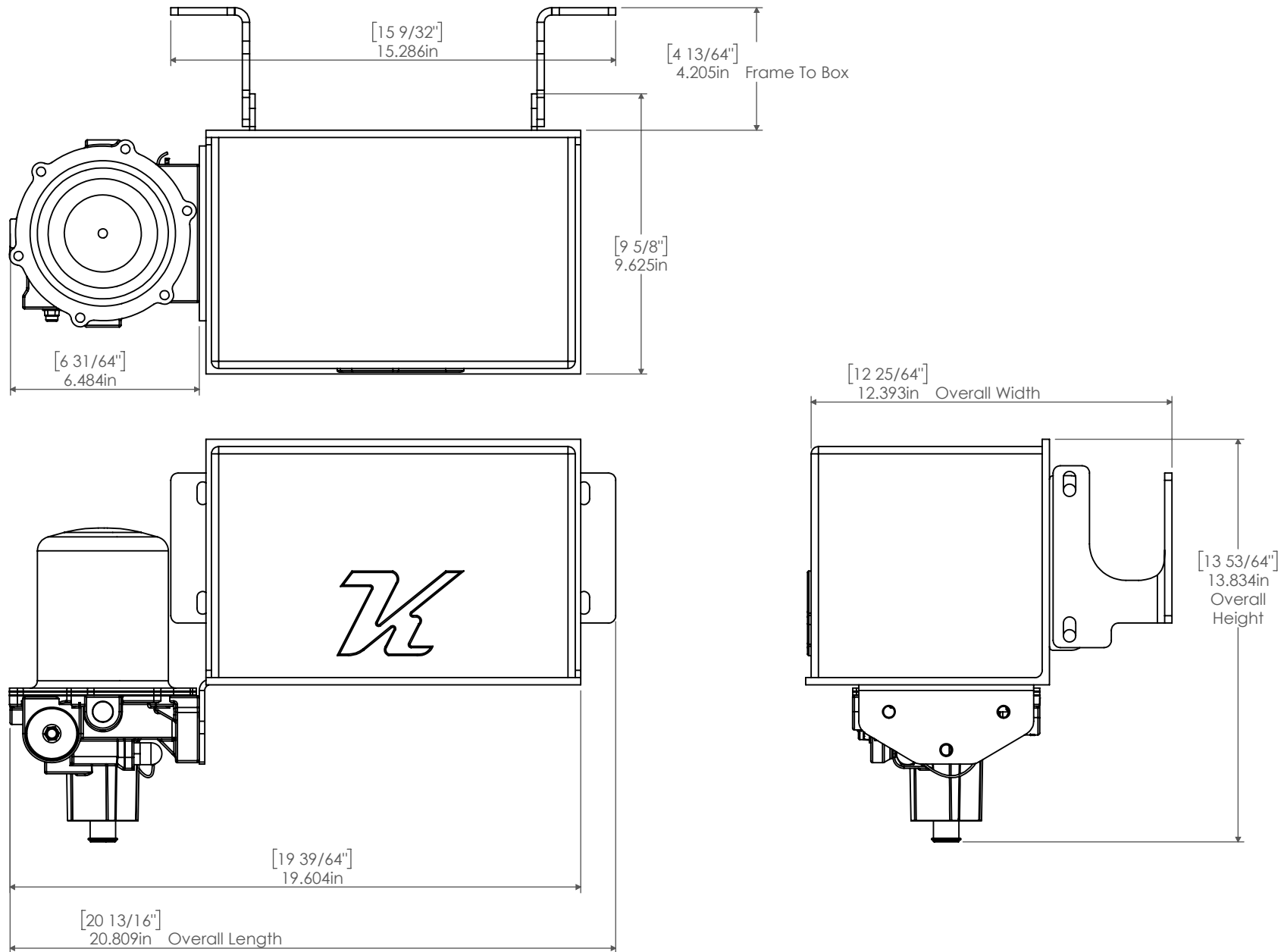


ITEM NO.	PART NUMBER	DESCRIPTION	QTY.
1	18159	Kelderman Standard Compressor Box	1
2	51628	Air Compressor Box/Frame Mount	1
3	51702	Air Compressor Box/Frame Mount	1
4	Air Dryer Mechanical Nabtesco	Mechanical	1
5	80006	Air Compressor Box Cover	1



						A DO NOT SCALE DRAWING 1:10 Approximate Weight = 23.22 lbs
					3RD ANGLE PROJECTION UNLESS OTHERWISE SPEC. DIMENS. IN INCHES STD. TOLERANCES X.X ± 0.60 X.XX ± 0.30 X.XXX ± 0.10 FRAC.DIM. ± 1/32" Deg. ± .5°	MATL SPECS: DESCRIPTION: Air Compressor Box (Current Version) PROJECT: Kelderman Standard Box PART NUMBER: 51705 DESIGN BY: ZB18
REV	ECN	CHANGE DESCRIPTION	CHANGE BY	DATE	NOTICE: THIS DOCUMENT AND ITS CONTENTS ARE THE PROPERTY OF KELDERMAN MFG. NO USE OR COPIES MAY BE MADE WITHOUT WRITTEN PERMISSION FROM KELDERMAN.	
						SHEET 1 OF 2



						 3RD ANGLE PROJECTION	A DO NOT SCALE DRAWING	1:10	Approximate Weight = lbs
						UNLESS OTHERWISE SPEC. DIMENS. IN INCHES STD. TOLERANCES X.X ± 0.60 X.XX ± 0.30 X.XXX ± 0.10 FRAC. DIM. ± 1/32" Deg. ± .5°	MATL SPECS: DESCRIPTION: PROJECT: PART NUMBER: 51705 DESIGN BY:		
REV	ECN	CHANGE DESCRIPTION	CHANGE BY	DATE			DATE: 7/23/2018		NOTICE: THIS DOCUMENT AND ITS CONTENTS ARE THE PROPERTY OF KELDERSMAN MFG. NO USE OR COPIES MAY BE MADE WITHOUT WRITTEN PERMISSION FROM KELDERSMAN

