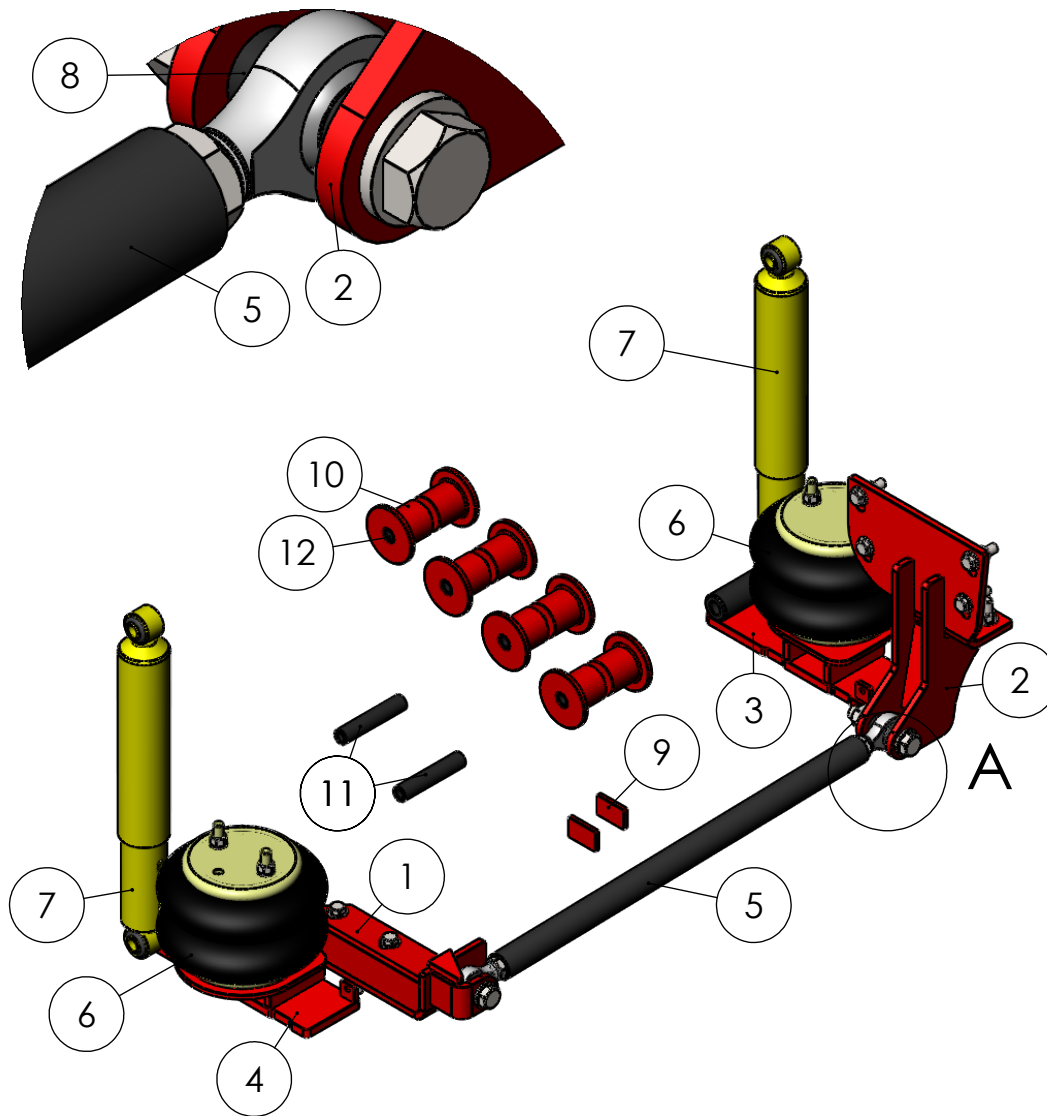


ITEM NO.	PART NUMBER	DESCRIPTION	QTY.
1	70692	Lower (PHB)/Axle Mounting Bracket	1
2	15993	(PS) (PHB) Frame Mounting Bracket	1
3	16255	(PS) Lower Bag Mount	1
4	16287	(DS) Lower Bag Mount	1
5	70690	26.5" Panhard Bar	1
6	80012-6905	Firestone 6905	2
7	80122	Tenneco - 557001 F53 RV Shock	2
8	10199	Heim Spacer .440"	4
9	30105	Weld-on Gusset	2
10	16926	Red Hat Bushing	8
11	18530	35/64" (Small Hole) Press-in Bushing	2
12	15244	39/64" (Large Hole) Press-in Bushing	4
13	12009	Bolt - 1/2"-20 X 1 3/4" - Gr.8	6
14	12011	Bolt - 1/2"-20 X 2" Gr.8	6
15	12210	Bolt - 3/8"-16 X 1.00 - Gr.8	4
16	12529	Bolt - 3/4"-16 x 4" Gr.8	2
17	13164	1/2"-20 Hex Nut Gr.8	16
18	13168	3/4"-16 Hex Nut Gr.8	2
19	13022	3/8" Flat Washer	4
20	13024	1/2" Flat Washer	24
21	13028	3/4" Flat Washer	4
22	13046	3/8" Lock Washer	4
23	13050	1/2" Lock Washer	4



UNLESS OTHERWISE SPECIFIED: DIMENSIONS ARE IN INCHES TOLERANCES: FRACTIONAL $\pm 1/32"$ ANGULAR: MACH ± 1 BEND ± 1 TWO PLACE DECIMAL $\pm .030$ THREE PLACE DECIMAL $\pm .010$	Design By:	Zach Beltz 2014	Project: F53 4 Leaf Spring Kit
	Shelf # / Qty		
	Inventory		Description: 2-Bag Front
	Run Qty:		
MATERIAL	PROPRIETARY AND CONFIDENTIAL THE INFORMATION CONTAINED IN THIS DRAWING IS THE SOLE PROPERTY OF KELDERMAN MFG. INC. ANY REPRODUCTION IN PART OR AS A WHOLE WITHOUT THE WRITTEN PERMISSION OF KELDERMAN MFG. INC. IS PROHIBITED.		SIZE DWG. NO. A KLM-16288
FINISH			SCALE: 1:20 DO NOT SCALE DRAWING
WEIGHT 74.19			SHEET 1 OF 2