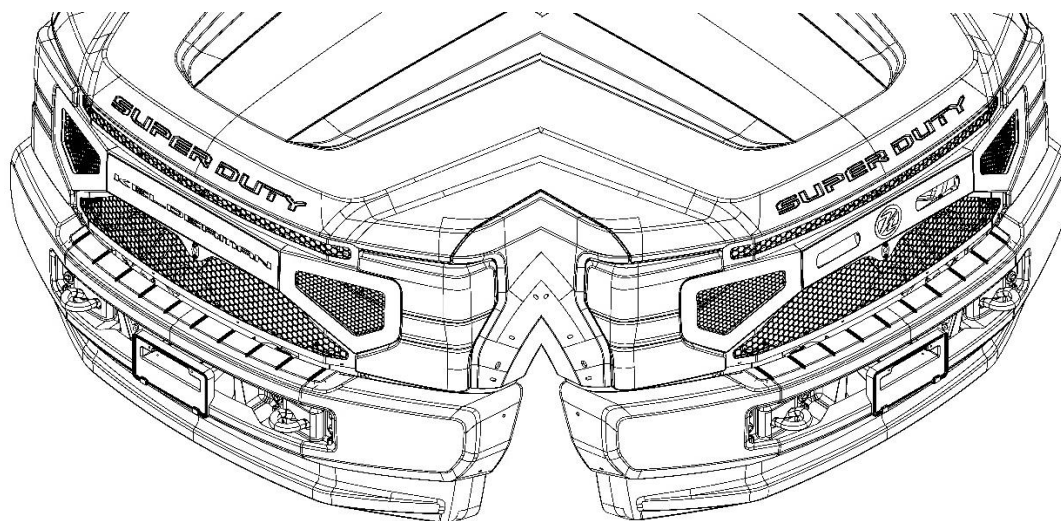




Alpha and Bravo Series Grille Installation Manual

- 2020 Ford F250-550 Superduty

Kelderman Alpha and Bravo Series Grille



Alpha

Bravo

- Contents

- Kit Numbers..... (3)
- Introduction..... (4)
- Safety..... (5)
- Grille Removal..... (6)
- Grille Assembly..... (8)
- Grille Installation..... (11)
- Parts Key..... (12)
- Contact Information..... (14)

Kit Numbers

- This installation manual covers the following grilles.

Kit Number	Description
KLM-502021020-008010100	2020 Ford F250 Superduty – Alpha
KLM-502021020-002020100	2020 Ford F250 Superduty – Bravo
KLM-502021020-002010106	2020 Ford F250 Superduty – Bravo 6” SR Light
KLM-502022020-008010100	2020 Ford F350 Superduty – Alpha
KLM-502022020-002020100	2020 Ford F350 Superduty – Bravo
KLM-502022020-002010106	2020 Ford F350 Superduty – Bravo 6” SR Light
KLM-502023020-008010100	2020 Ford F450 Superduty – Alpha
KLM-502023020-002020100	2020 Ford F450 Superduty – Bravo
KLM-502023020-002010106	2020 Ford F450 Superduty – Bravo 6” SR Light
KLM-502024020-008010100	2020 Ford F550 Superduty – Alpha
KLM-502024020-002020100	2020 Ford F550 Superduty – Bravo
KLM-502024020-002010106	2020 Ford F550 Superduty – Bravo 6” SR Light

Introduction

- **Important**

It is important that the entire installation instructions be read thoroughly before proceeding with grille installation.

- **Product Installer Responsibilities**

Installer is responsible for installing this product in accordance with Kelderman Mfg. Inc. specifications and installation instructions.

Installer is responsible for providing proper installation of vehicle components and attachments as well as required or necessary clearance for suspension components, axles, wheels, tires, and other vehicle components to ensure a safe and sound installation and operation of this product.

Kelderman Mfg. Inc. cannot guarantee correct out of the box fitment across all light brands and sizes. The installer is responsible for test fitting all lights into the grille and making any required modifications before the grille is sent to paint. This grille has been designed to utilize the following Rigid Industries lights.

- Rigid Industries SR-Series 6 Inch

- **Product Owner Responsibilities**

Owner is solely responsible for pre-operation inspection, periodic inspections, maintenance, and use of the product as specified by Kelderman Mfg. Inc.

- **Definition of Terms**

- **Warning:** Indicates a potentially hazardous situation which, if not avoided, could result in death or serious injury.
- **Caution:** A potential hazardous situation may result in property damage.
- **Note:** Provide information or suggestions that help correctly perform a task

Safety

- **Your Safety and the Safety of Others is Very Important.**
Read and understand all safety precautions and instructions before installing this product.

- **CAUTION: Trucks Equipped with Parking Sensors, Cameras, or Other Like Devices.**
Relocation of these devices will alter the field of view. It is the responsibility of the owner to understand how these changes affect the operation of these systems.

- **This Product is Intended for Off-Road Use**
All liability for installation and use rests with the owner.

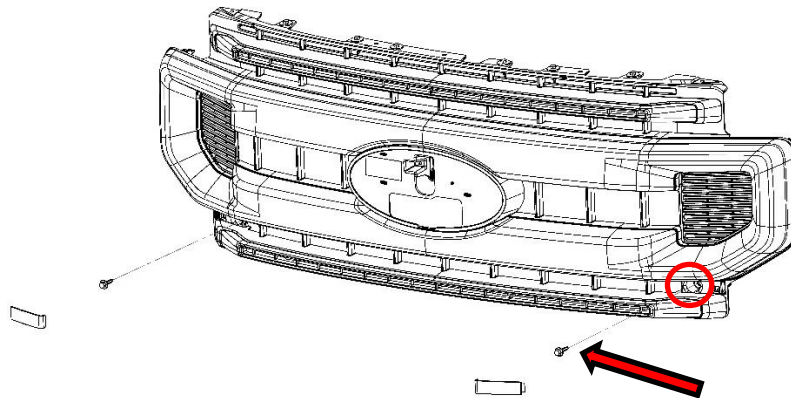
- **WARNING: Careless Installation Can Result in Serious Injury or Property Damage**
 - Wear eye protection.
 - Disconnect the battery before doing any work on the vehicle.
 - Work on flat level ground.
 - Ensure truck is properly supported by jack stands. Never work under a vehicle supported only by hydraulic jacks.
 - Never work directly under the product until it has been securely fastened to the vehicle.
 - Avoid sharp, hot, and moving components when routing electrical cables.
 - If drilling inspect both sides of the surface and remove/relocate any objects located in the way.
 - Ensure all bolts are properly tightened before driving.

Grille Removal

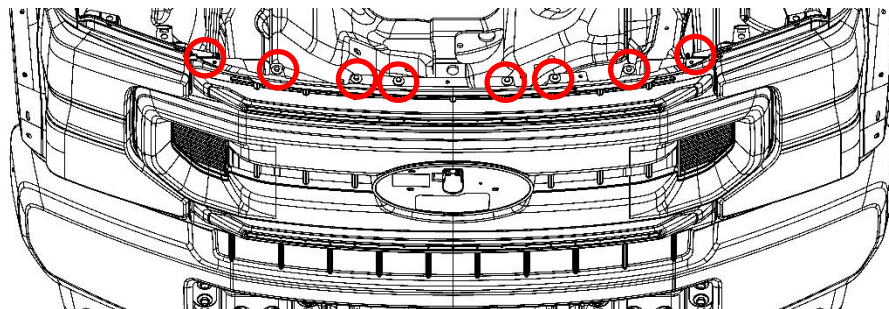
- 1:** To access the grille first remove the black plastic radiator cover panel. This will be reinstalled.



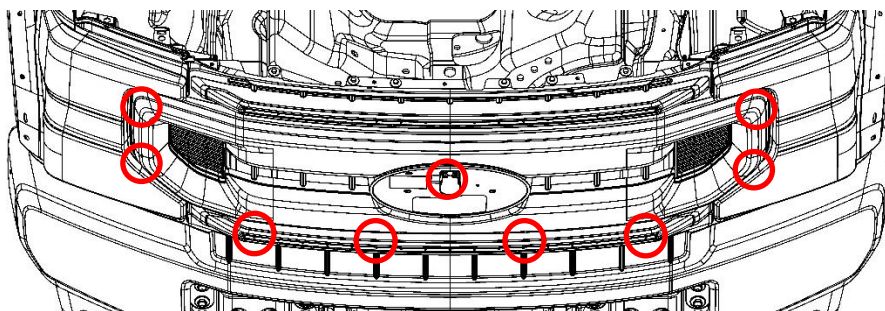
- 2:** Remove the two lower corner screws, these may be located behind trim. The trim is clipped in place, pull forward to remove.



- 3:** Remove the six screws across the top of the grille, these will be reinstalled. Remove the two nuts located on the back side next to headlight. Disconnect the camera wiring and camera washer fluid tube if equipped.



- 4:** The remainder of the grille is held in with clips carefully pull straight forward at each clip location to remove the grille from the truck.



- 5:** Remove the two screws that hold the camera washer to the back side of the grille to access the camera. The camera will be reinstated.

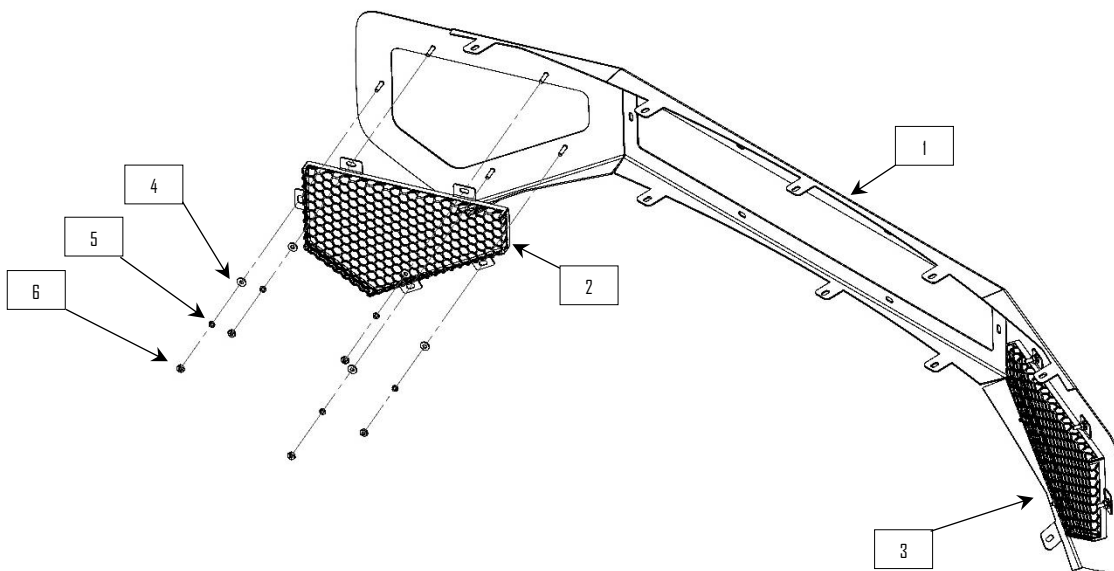


- 6:** If installing a light equipped Kelderman grille removed the horn bracket and remount it on the corner gusset. **NOTE:** Moving the horn is required for light clearance.

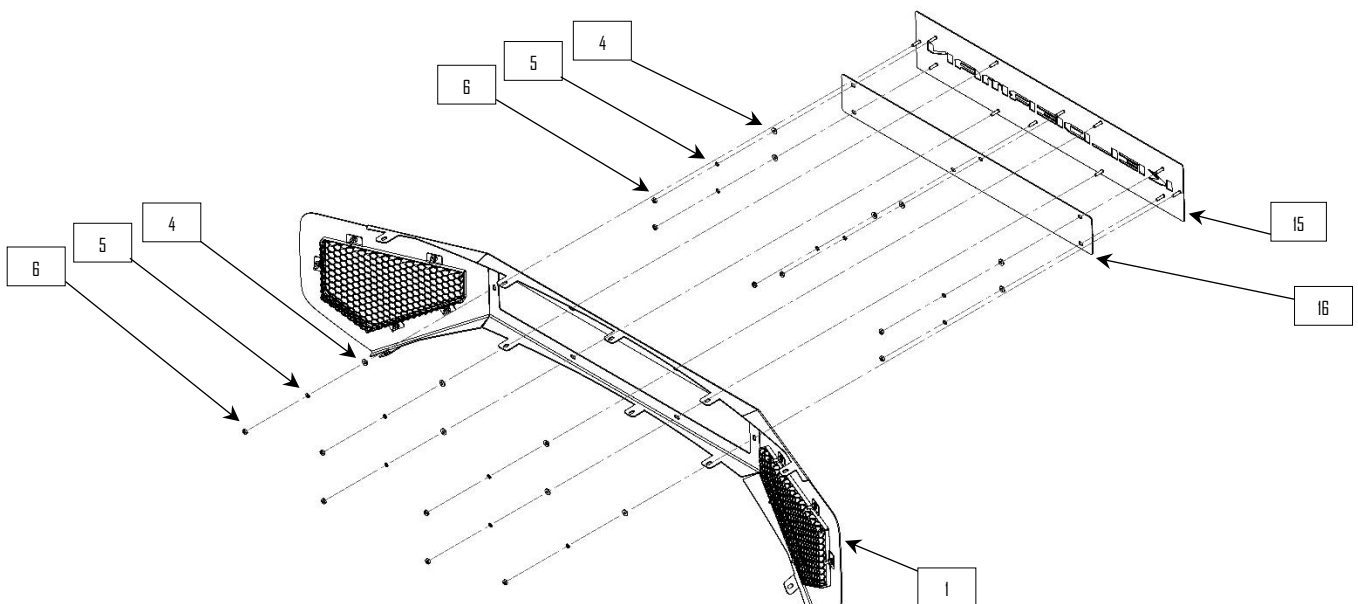


Grille Assembly

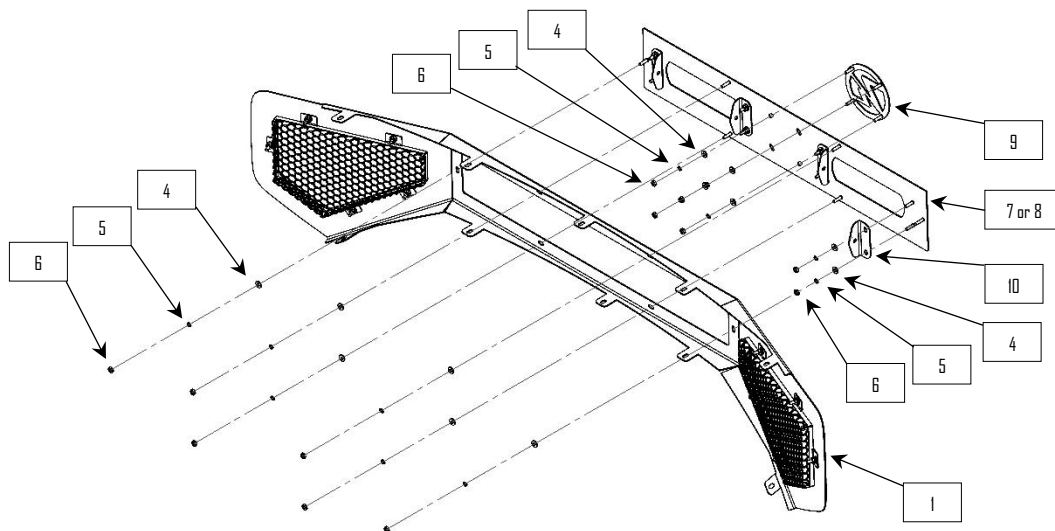
- **NOTE:** This section covers multiple grille options. Not all steps and parts depicted may pertain to your grille install.
- Use the #10 hardware (4, 5, & 6) to fasten the side mesh (2 & 3) into the blade frame (1).



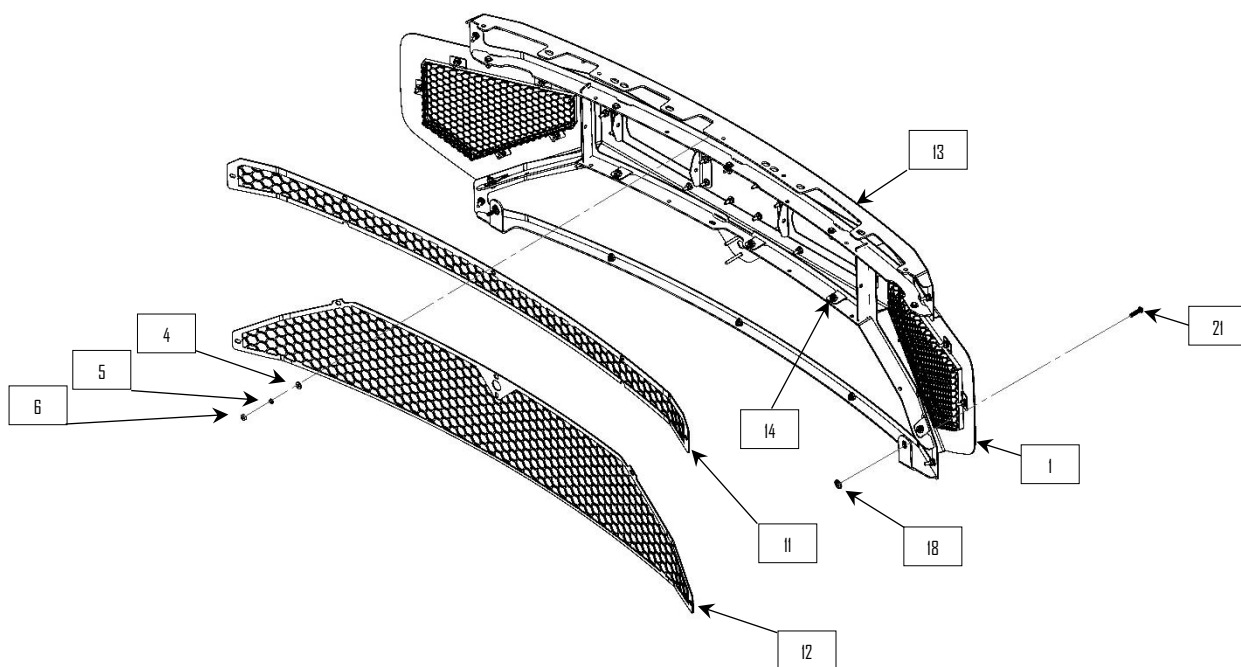
- **Alpha Grille:** Bolt the blade (15) and the blade backing plate (16) to the blade frame (1) using the #10 hardware (4, 5, & 6).



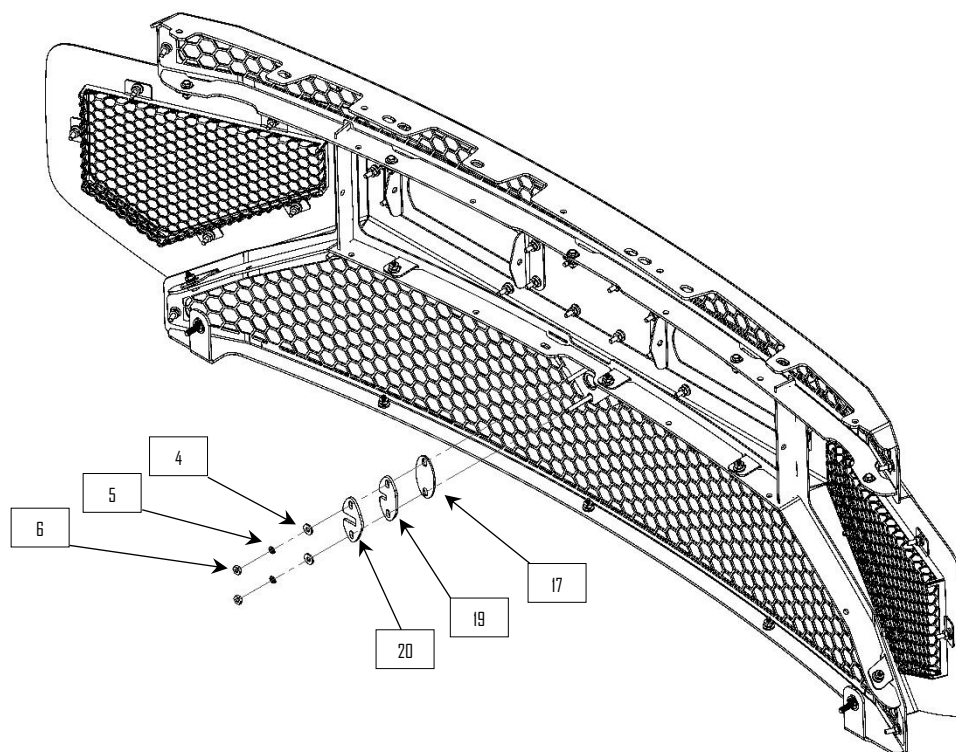
- **Bravo Grille:** Bolt the blade (7 or 8) and the center logo (9) to the blade frame (1) using the #10 hardware (4, 5, & 6).



- Light Installation.
 - If optional fasten light brackets (10) to the 6" SR Rigid light using the hardware supplied with the light before bolting the brackets to blade frame using #10 hardware (4, 5, & 6).
- Fasten the assembled blade frame (1), the upper mesh (11), and the lower mesh (12) to the grille frame (13) using #10 hardware (4, 5, 6, & 14).



- Non-camera trucks: Install camera block off plate (17) using #10 hardware (4, 5, & 6).
- Camera equipped trucks: Install camera into frame. Use camera positioner (19) and #10 hardware (4, 5, & 6) to hold the camera in place on 2020 model year trucks. Use camera positioner (20) and #10 hardware (4, 5, & 6) to hold the camera in place on 2021+ model year trucks. **NOTE:** Camera block off plate (17) is not used.

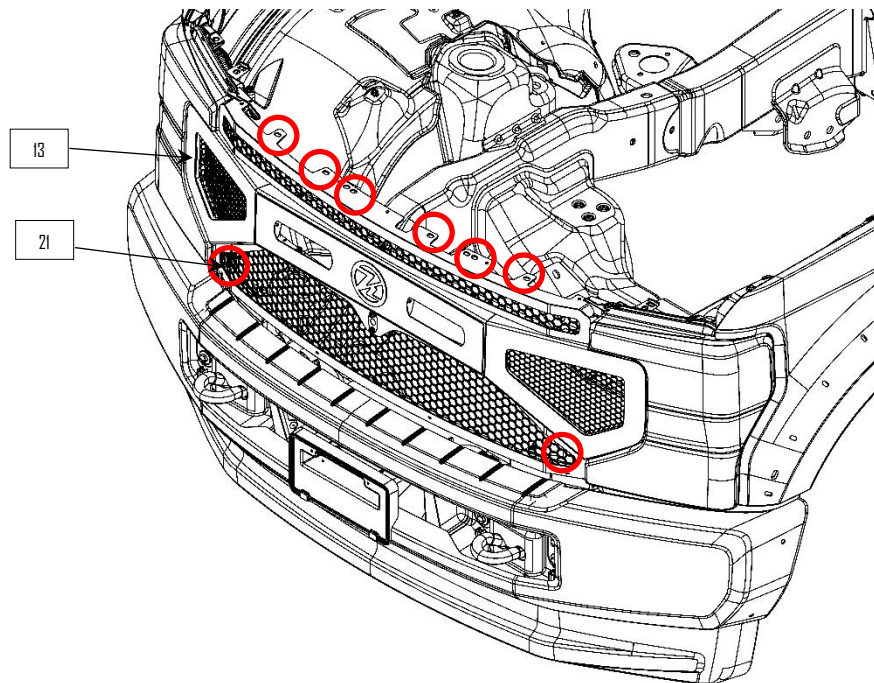


Grille Installation

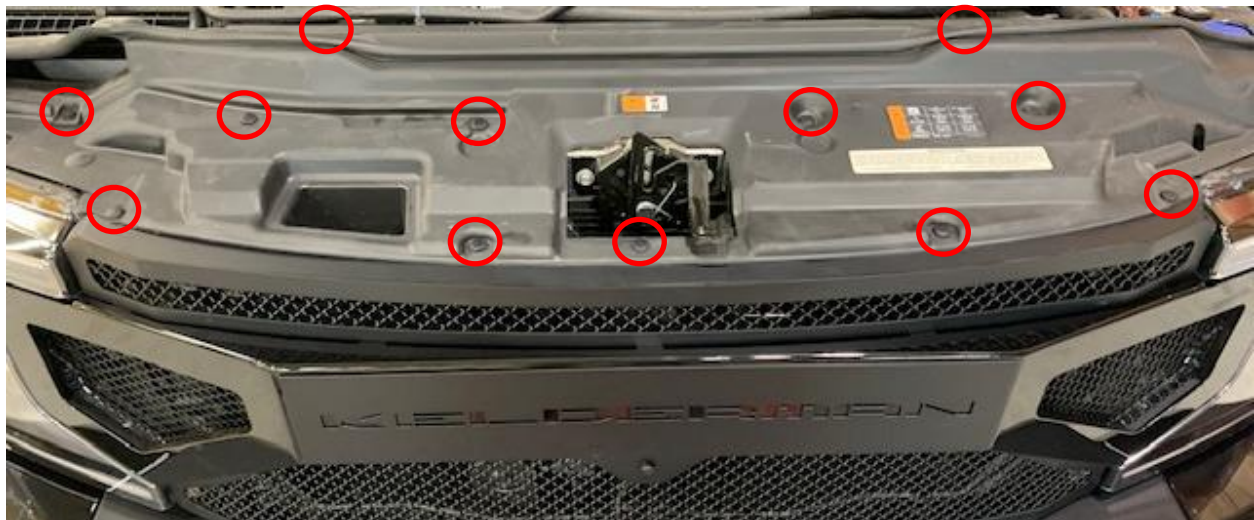
7: Wire lights, if optioned.

8: Install the assembled grille frame (13), reuse the hardware removed in *step 3*. Thread the captured corner screws (21) into the grille frame. Connect the camera wiring.

NOTE: Carefully shut the hood while checking the clearance between the hood and the grille, adjust the grille if required.



9: Use the OEM hardware removed in *step 1* to reinstall the black plastic radiator cover panel. **NOTE:** Carefully shut the hood while checking the clearance between the hood and the radiator cover panel, adjust the panel if required.



Parts Key

Item Number	Part Number	Description
1	10007793	Weldment - Blade Frame
2	10007657	Plate - 16ga - Honeycomb Screen (DS)
3	10007656	Plate - 16ga - Honeycomb Screen (PS)
4	14062	Flat Washer: #10
5	14086	Split Lock Washer: #10
6	14070	Hex Nut: #10-24
7	10007845	Weldment - Bravo Blade - 6" SR Light
8	10009351	Weldment - Bravo Blade
9	10007843	Weldment - "K" Logo 3-15/16" Bolt Circle
10	10007790	Plate - 14ga - Light Bracket
11	10009168	Plate - 16ga - Honeycomb Upper Screen
12	10009202	Plate - 16ga - Honeycomb Lower Screen
13	10007662	Weldment - Grille Frame
14	14096	Hex Head Machine Screw - #10-24x3/4"
15	10007792	Weldment - Alpha Blade
16	10007668	Plate - 14ga - Alpha Blade Backing Plate
17	10007936	Plate - 14ga - Camera Block Off Plate
18	14178	Pushnut Bolt Retainer M6-1.0 12.7mm OD
19	33009	Plate - 11ga - Camera Positioner - 2017 Style
20	10009033	Plate - 11ga. - Camera Positioner - 2021 Style
21	14174	Button Head Torx Drive: M6-1.0 x 25mm

Notes

Contact Information

- Kelderman Manufacturing appreciates your business. We strive to meet the needs of our customers by providing the highest quality products. If you have any questions concerning our products please call or email us at the following:

**2686 Highway 92
Oskaloosa, Iowa 52577**

Phone: (641) 673-5396

Fax: (641) 673-4168

Email: info@kelderman.com

