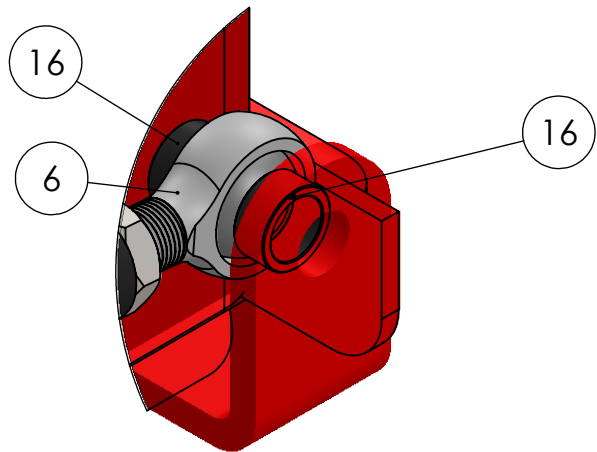
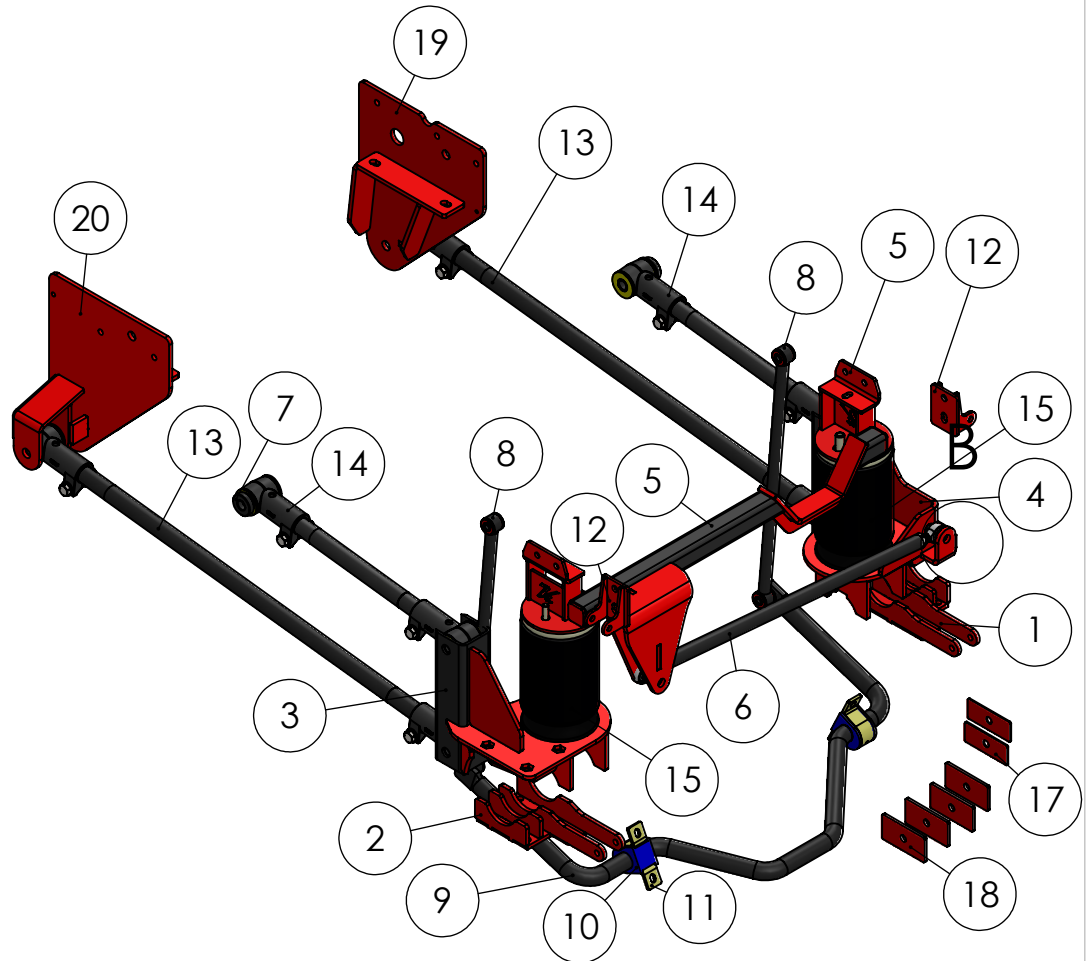


ITEM NO.	PART NUMBER	DESCRIPTION	QTY.
1	20152	(PS) Lower Axle Clamp	1
2	20151	(DS) Lower Axle Clamp w/ Shock Ear	1
3	20155	(DS) Lower Bag Mount	1
4	20156	Lower Bag Plate (3.5" Axle)	1
5	20157	(PHB) Mount / Crossmember / Upper Bag Mount	1
6	20270	34.75" Panhard Bar	1
7	20274	2" OD x 7/8" ID x 9/16" Spacer	2
8	20278	26" End Link	2
9	1139-182KLD	1139-182KLD Sway Bar	1
10	150-400	1.5" Sway Bar Bushing	2
11	80049	Sway Bar/ Axle Mounting Bracket	2
12	19042	(FOX) Shock Mounting Bracket	2
13	17746	41" Trailing Arm	2
14	17745	22" Trailing Arm	2
15	80012-8979	Firestone 8979	2
16	10199	Heim Spacer .440"	4
17	70534	1/8" Shim	2
18	70535	1/4" Shim	4
19	20324	(PS) Side Plate	1
20	20325	(DS) Side Plate	1



UNLESS OTHERWISE SPECIFIED: DIMENSIONS ARE IN INCHES TOLERANCES: FRACTIONAL ± 1/32" ANGULAR: MACH ± 1 BEND ± 1 TWO PLACE DECIMAL ±.030 THREE PLACE DECIMAL ±.010 MATERIAL FINISH WEIGHT 253.08	Design By: Zach Beltz 2014	Project: 2011-2016 F250-350 Pickup
	Shelf # / Qty	
	Inventory	Description: 8-10" Lift / Long Box / Single Rear Wheel
	Run Qty:	
PROPRIETARY AND CONFIDENTIAL THE INFORMATION CONTAINED IN THIS DRAWING IS THE SOLE PROPERTY OF KELDERMAN MFG. INC. ANY REPRODUCTION IN PART OR AS A WHOLE WITHOUT THE WRITTEN PERMISSION OF KELDERMAN MFG. INC. IS PROHIBITED.	SIZE DWG. NO. A F4R4-23-LBSR-11-10	SCALE: 1:50 DO NOT SCALE DRAWING
		SHEET 2 OF 2