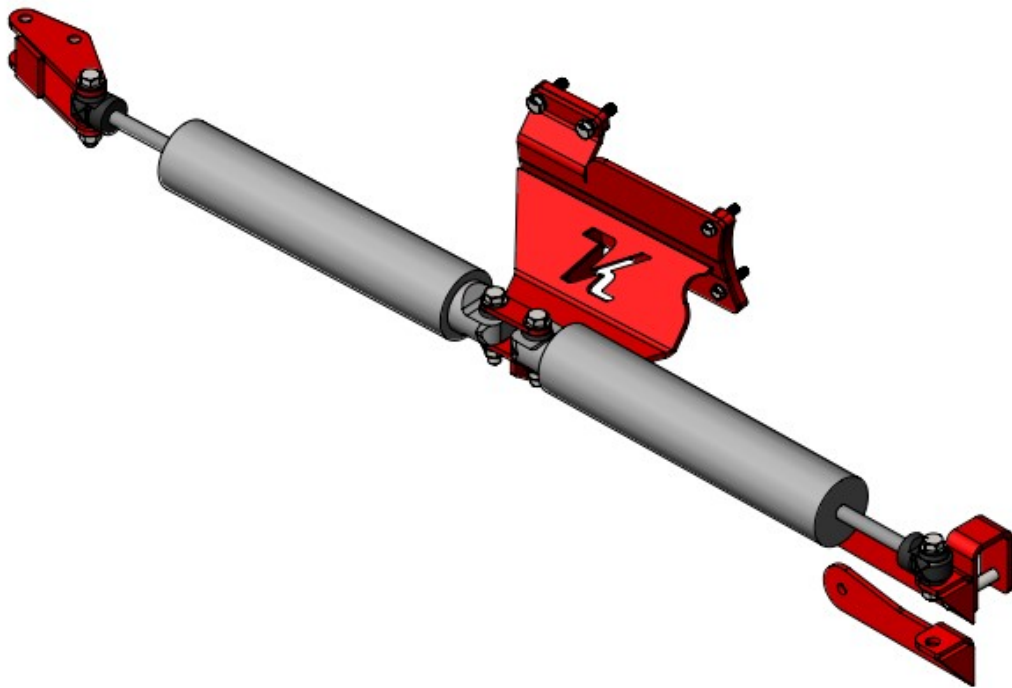




G5 RAM 2500/3500 Dual Steering Stabilizer Install Instructions



Dual Steering Stabilizer Shock Install Instructions

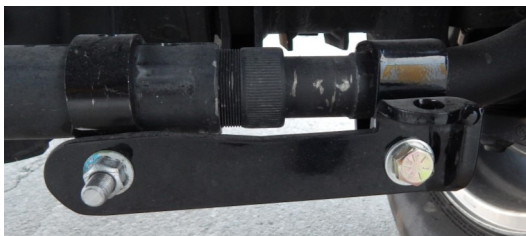
1. Remove the OEM steering stabilizer shock and the mounting hardware on the center of the axle.
2. Remove the factory mounting brackets from the passengers side. Locate the new bracket (Part # 18401) and install it so the holes are on the front side of the axle like in the picture below. Use the factory bolts and torque to 55 ft./lbs.



3. Locate the drivers side bracket (Part # 18839 and 18397) If fastens to the two factory pinch bolts on the steering arm. It also fastens to the outer tie rod end with the 1/2 x 3" bolts. Torque these bolts to 55 ft./lbs. Make sure the 1/2" bolt is pointing towards the rear of the truck.

NOTE: Some models of Ram trucks have only one bolt on the steering link instead of two.

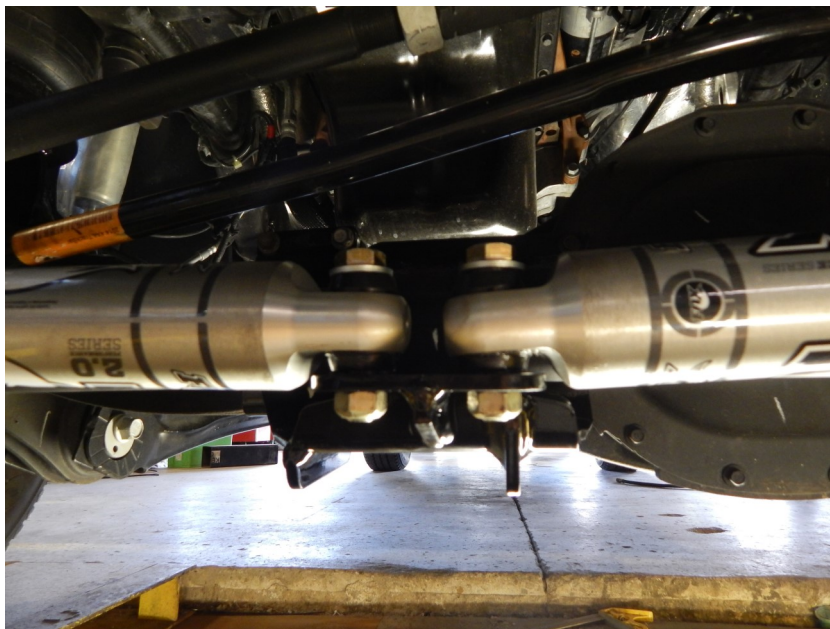
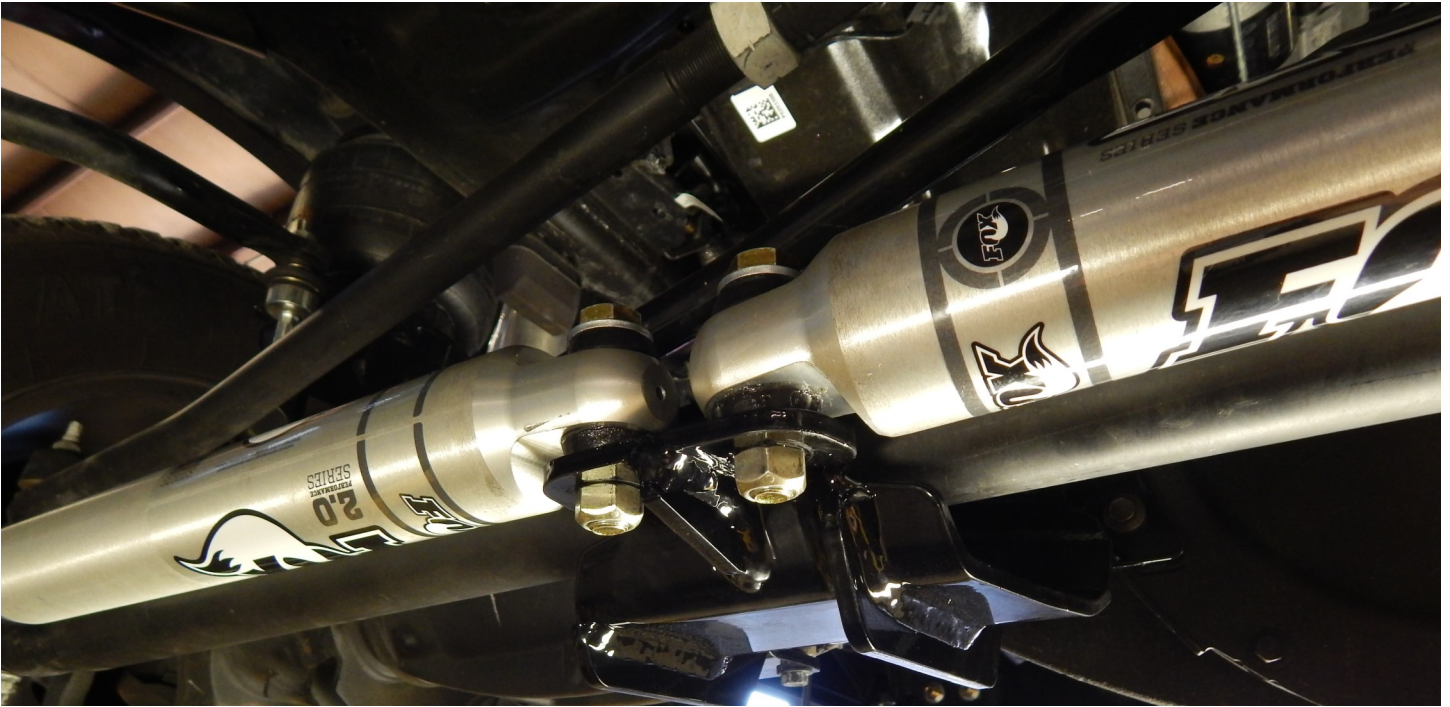
If so, use Part # 18409 instead of 18839.



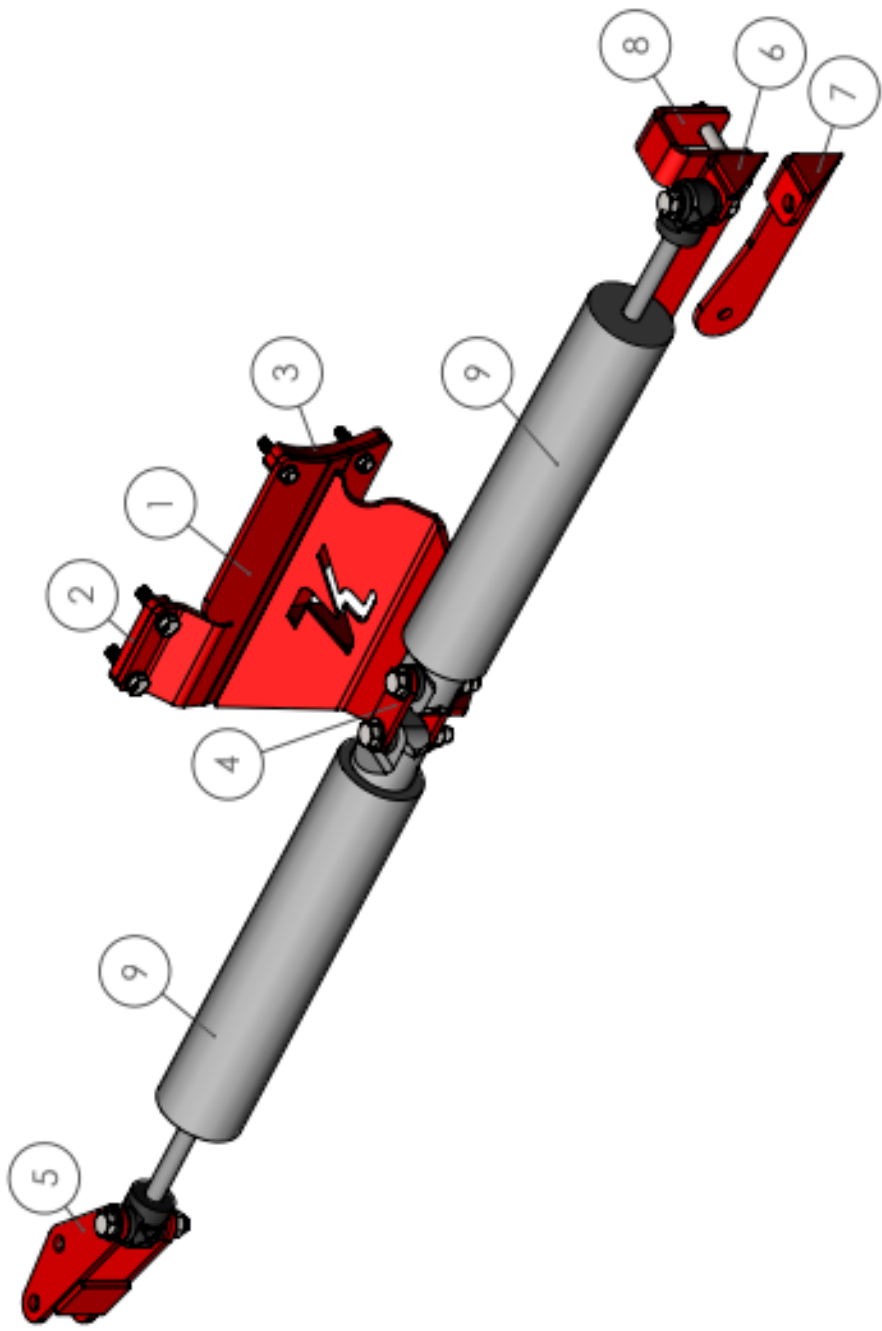
4. Locate the steering stabilizer bracket (Part # 18393), top spacer (Part # 18396) and the side spacer (Part # 18399). Use the M10 x 45 bolts to fasten the center top of the bracket to the axle. (Just start all the bolts and tighten after all six bolts are installed) Make sure to use the spacer, (Part # 18396) between the bracket and axle. The bottom of the bracket fastens to the axle with the factory bolts. Next, if the factory differential cover is being used, use the supplied spacer (Part # 18399) in between the bracket and diff cover. Use the M8 x 40 bolts in this spot. If you have an aftermarket diff cover, you should not need the spacer. Once all the bolts are started, tighten the OEM bolts on the bottom of the axle to 35 ft./lbs., the M45 bolts to 55 ft./lbs. and the m8 bolts to 30 ft./lbs.



5. Locate the shocks. (Fox Part # 985-24-068). Use the 1/2 x 3" bolts on the outside to fasten the shock to the outer mounts. Locate the shock strap (Part # 18402 and two 1/2 x 3" bolts). Fasten the shocks to the steering stabilizer bracket. Make sure to put the bolts in from the top down. Once all the bolts are in place, go back and torque the bolts to 75 ft./lbs.



ITEM NO.	PART NUMBER	DESCRIPTION	QTY.
1	18393	Steering Stabilizer "K" Bracket	1
2	18396	3/8" Spacer	1
3	18399	1/2" Spacer	1
4	20227	Shock Strap	1
5	18400	(PS) Shock/ Axle Mount	1
6	18389	(DS) Shock Bracket	1
7	18409	(DS) Shock Bracket	1
8	18397	(DS) Axle Mounting Bracket w/ Bends	1
9	985-24-068	Fox Shocks	2



		WALD'S 1200 S. 10th St. #100 Waukegan, IL 60087 Phone: 815-491-1111 Fax: 815-491-1112 Email: info@walds.com	
DESCRIPTION: Steering Stabilizer PRODUCT: 2013+ Ram 2500-3500 Pickup (Front) PART NUMBER: 18401		APPROXIMATE WEIGHT: 31.60 lbs. DATE: 04/14/14 REV: 4.18.14/14.16 DESIGNED BY: [Redacted] ENGINEER: [Redacted] MANUFACTURED BY: [Redacted]	