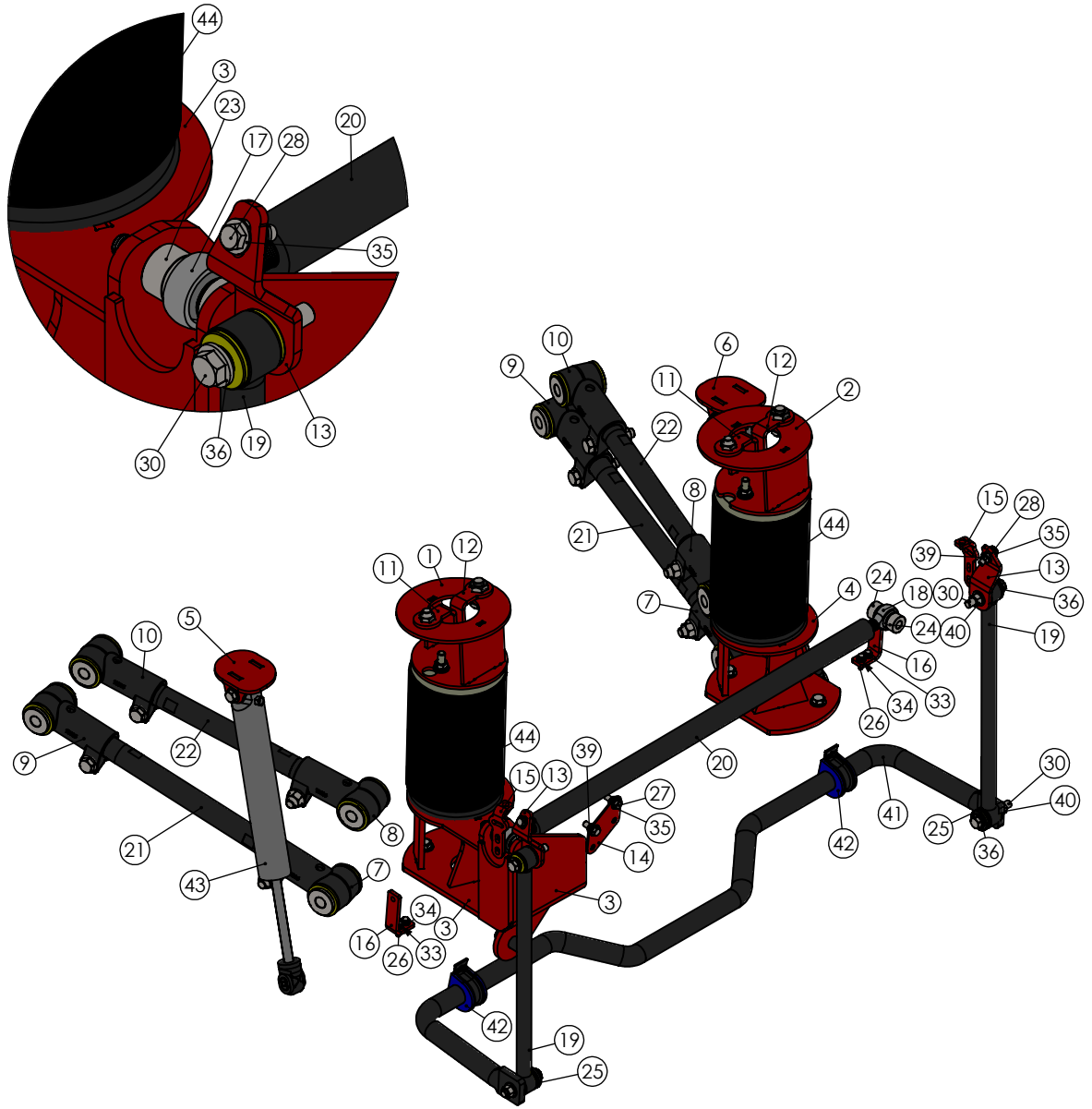


ITEM NO.	PART NUMBER	DESCRIPTION	QTY.
1	19107	(DS) Upper Bag Mount	1
2	19106	(PS) Upper Bag Mount	1
3	19155	(DS) Lower Bag/PHB Mount	1
4	19163	(PS) Lower Bag Mount	1
5	19176	(DS) Shock Relocation Bracket	1
6	19177	(PS) Shock Relocation Bracket	1
7	19182	Trailing Arm Knuckle 10006	2
8	19183	Trailing Arm Knuckle 10006	2
9	19180	Trailing Arm Knuckle 10005	2
10	19181	Trailing Arm Knuckle 10005	2
11	19083	5/8" Lock Nut Tool	2
12	19084	3/4" Lock Nut Tool	2
13	19161	End Link Mounting Ear w/ Bends	2
14	19046	Brake Line Relocation Bracket	1
15	50089	Height Control Bracket w/ Bend	2
16	50188	Linkage Mounting Bracket	2
17	80109	(RH) Ball Joint Rod End 3/4-16 x 3/4"	1
18	80110	(LH) Ball Joint Rod End 3/4-16 x 3/4"	1
19	19164	18.5" End Link	2
20	19166	31.75" Panhard Bar	1
21	52120	18.50" Trailing Arm Bar	2
22	52118.5	18.50" Trailing Arm Bar	2
23	18788	Heim Bushing Spacer - Fab Location	2
24	18789	Heim Bushing Spacer - Stock Location	2
25	11551	1.5"OD x .53" ID x 1/4"	2
26	12110	Bolt - 1/4"-20 x 1" Gr.5	4
27	12211	Bolt - 3/8"-24 X 1" Gr.8	2
28	12213	Bolt - 3/8"-24 x 1.25" Gr.8	2
29	12007	Bolt - 1/2"-20 x 1.50" Gr.8	3
30	12021	Bolt - 1/2"-20 X 3" GR.8	4
31	12405	Bolt - 5/8" x 1 1/2" Gr.8	2
32	12507	Bolt - 3/4" x 1 1/2" Gr.8	2
33	13042	1/4" Lock Washer	4
34	13000	1/4" Flat Washer	4
35	13002	3/8" Flat Washer	8
36	13004	1/2" Flat Washer	14
37	13006	5/8" Flat Washer	2
38	13008	3/4" Flat Washer	2
39	13162	3/8"-16 Hex Nut	4
40	13164	1/2"-20 Hex Nut Gr.8	7
41	1129-141KLD	Sway Bar	1
42	4129-141	Sway Bar Bushing Kit	2
43	985-24-052	Fox Shock - 985-24-068	2
44	80012-8979	Firestone 8979	2



						A DO NOT SCALE DRAWING	1:48	Approximate Weight = 273.85 lbs
					3RD ANGLE PROJECTION UNLESS OTHERWISE SPEC. DIMS. IN INCHES STD. TOLERANCES .XX ± .060 X.XX ± .030 X.XXX ± .010 FRAC. DIM. ± 1/32" Deg. ± .5°	MATL SPECS: DESCRIPTION: 8-10" Lift (Rear) - Coil Replacement		
					PROJECT: 2014+ Ram 2500 4x4 Pickup			
					PART NUMBER: D4R4-2-X-14-8			NOTICE: THIS DOCUMENT AND ITS CONTENTS ARE THE PROPERTY OF KELDERSMAN MFG. NO USE OR COPIES MAY BE MADE WITHOUT WRITTEN PERMISSION FROM KELDERSMAN
REV	ECN	CHANGE DESCRIPTION	CHANGE BY	DATE	DESIGN BY: ZB18	DATE: 3/7/2018		



