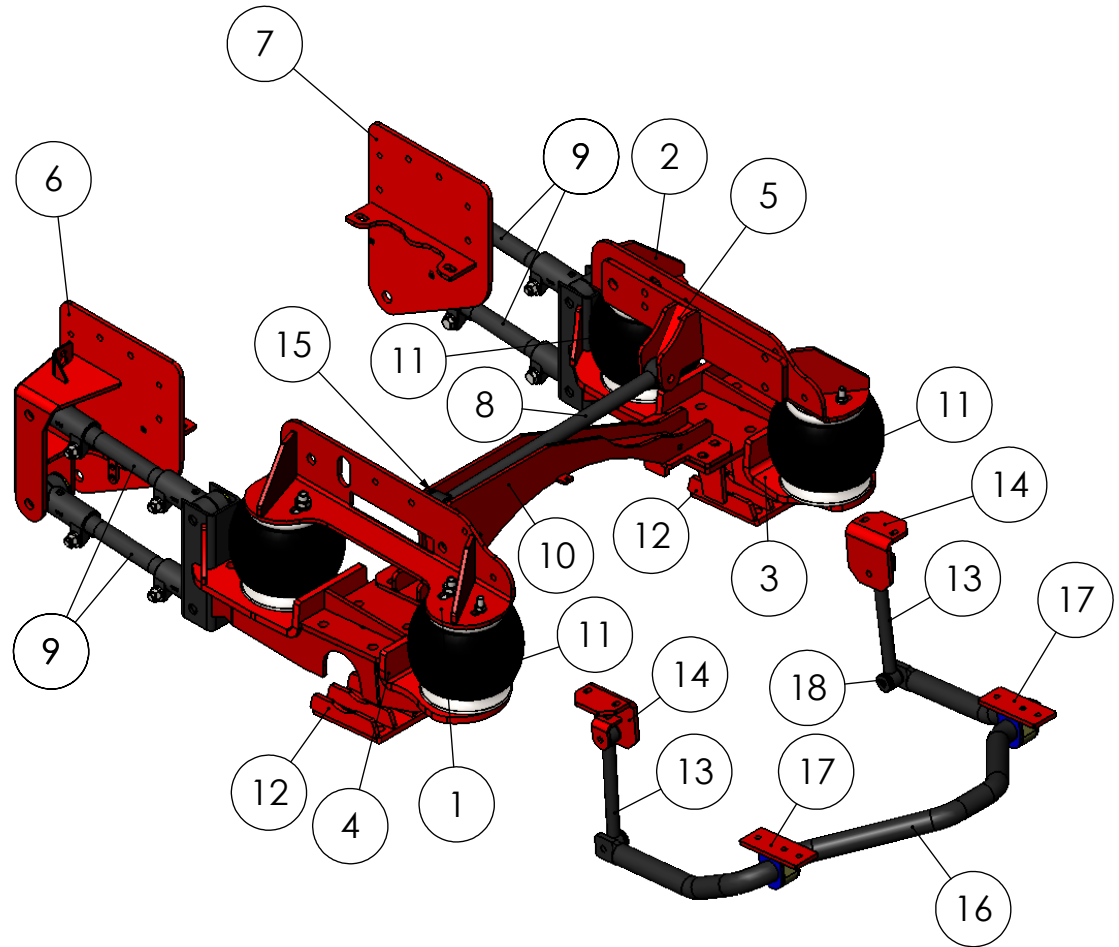


| ITEM NO. | PART NUMBER | DESCRIPTION                         | QTY. |
|----------|-------------|-------------------------------------|------|
| 1        | 50053       | (DS) Upper Bag Mount                | 1    |
| 2        | 50054       | (PS) UPPER BAG MOUNT                | 1    |
| 3        | 50094       | (PS) Lower Bag Mount                | 1    |
| 4        | 50035       | (DS) Lower Bag Mount                | 1    |
| 5        | 50052       | PHB Frame Mounting Bracket          | 1    |
| 6        | 50770       | (DS) Side Plate                     | 1    |
| 7        | 50771       | (PS) SIDE PLATE                     | 1    |
| 8        | 50048       | End Link 24.25" Center/Center       | 1    |
| 9        | 20190       | Trailing Arm (14.5" Bar)            | 4    |
| 10       | 30100       | (PHB) Cross-member                  | 1    |
| 11       | 10019-X-4   | Ride Height 8"                      | 4    |
| 12       | 50095       | Round Lower Axle Clamp              | 2    |
| 13       | 25008       | 10" Center To Center End links      | 2    |
| 14       | 50006       | End Link Mounting Bracket           | 2    |
| 15       | 16955       | (PHB) Spacer (5/8" Bolt)            | 2    |
| 16       | 80079       | 1129-130KLD Sway Bar Kit            | 1    |
| 17       | 50077       | Sway Bar Adaptor Plate              | 2    |
| 18       | 18776       | End-Link Spacer (1.5" OD x .55" ID) | 2    |



|   |                                   |  |
|---|-----------------------------------|--|
| UNLESS OTHERWISE SPECIFIED:<br>DIMENSIONS ARE IN INCHES TOLERANCES:<br>FRACTIONAL: ± 1/32"<br>ANGULAR: MACH ± 1 BEND ± 1<br>TWO PLACE DECIMAL ± .030<br>THREE PLACE DECIMAL ± .010<br>MATERIAL<br>SEE ABOVE<br>FINISH<br>WEIGHT<br>496.97 | <b>Design By:</b> Zach Beltz 2014 | <b>Project:</b> 2007-2010 Dodge 3500 Cab Chassis     |
|   | <b>Shelf # / Qty</b>              | <b>Description:</b> 4-Link Stock Height (Round Axle) |
|   | <b>Inventory</b>                  | SIZE DWG. NO.<br><b>A KLM-15561</b>                  |
|   | <b>Run Qty:</b>                   | SCALE: 1:50 DO NOT SCALE DRAWING SHEET 1 OF 2        |
| PROPRIETARY AND CONFIDENTIAL<br>THE INFORMATION CONTAINED IN THIS DRAWING IS THE SOLE PROPERTY OF KELDERMAN MFG. INC. ANY REPRODUCTION IN PART OR AS A WHOLE WITHOUT THE WRITTEN PERMISSION OF KELDERMAN MFG. INC. IS PROHIBITED.         |                                   |  |

