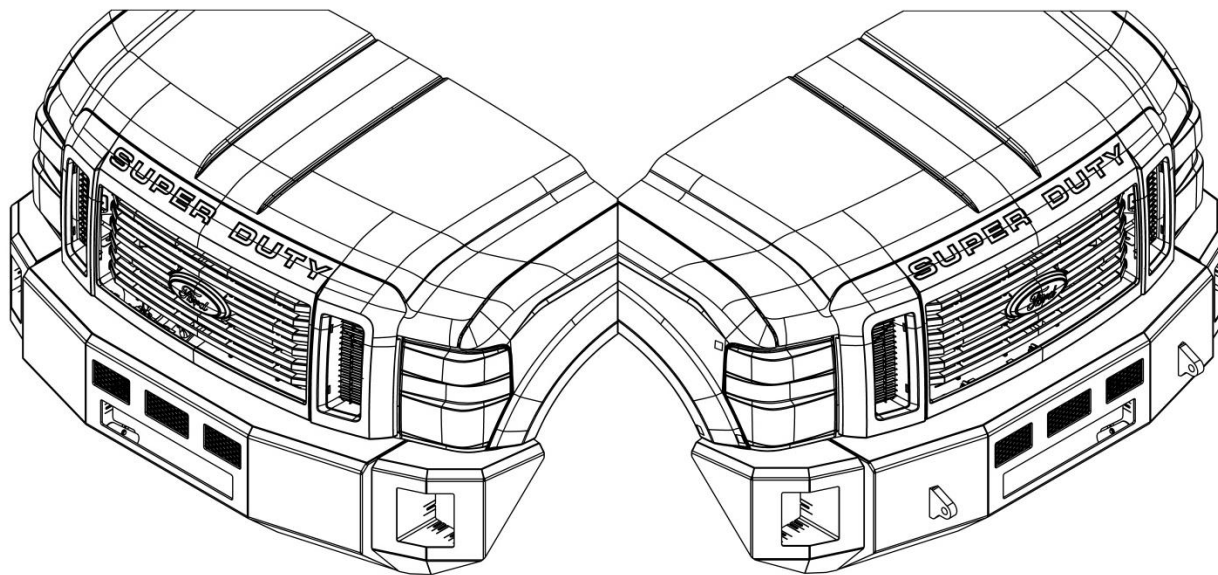




Bravo Series Front Bumper Installation Manual

- 2008-2010 Ford Super Duty

Kelderman Bravo Series Front Bumper



Smooth Hooks

- Contents

- Kit Numbers..... (3)
- Introduction..... (4)
- Safety..... (5)
- Bumper Removal (6)
- Bumper Preparation (7)
- Bumper Assembly..... (8)
- Bumper Installation.....(11)
- Parts Key.....(13)
- Contact Information.....(16)

Kit Numbers

- This installation manual covers the following front bumpers.

Kit Number	Description
KLM-402021008-002030000	F250 – Bravo – Smooth – Stock Width
KLM-402022008-002030000	F350 – Bravo – Smooth – Stock Width
KLM-402021008-002030001	F250 – Bravo – Clevis Ears – Stock Width
KLM-402022008-002030001	F350 – Bravo – Clevis Ears – Stock Width
KLM-402021008-002031500	F250 – Bravo – Smooth – Wide Width
KLM-402022008-002031500	F350 – Bravo – Smooth – Wide Width
KLM-402023008-002031500	F450 – Bravo – Smooth – Wide Width
KLM-402021008-002031501	F250 – Bravo – Clevis Ears – Wide Width
KLM-402022008-002031501	F350 – Bravo – Clevis Ears – Wide Width
KLM-402023008-002031501	F450 – Bravo – Clevis Ears – Wide Width

Introduction

- **Important**

It is important that the entire installation instructions be read thoroughly before proceeding with bumper installation.

- **Product Installer Responsibilities**

Installer is responsible for installing this product in accordance with Kelderman Mfg. Inc. specifications and installation instructions.

Installer is responsible for providing proper installation of vehicle components and attachments as well as required or necessary clearance for suspension components, axles, wheels, tires, and other vehicle components to ensure a safe and sound installation and operation of this product.

- **Product Owner Responsibilities**

Owner is solely responsible for pre-operation inspection, periodic inspections, maintenance, and use of the product as specified by Kelderman Mfg. Inc. Of particular importance is the re-torque of fasteners. This re-torque must be performed within 90 days or 1000 miles of this product being put into service.

- **Definition of Terms**

- **Warning:** Indicates a potentially hazardous situation which, if not avoided, could result in death or serious injury.
- **Caution:** A potential hazardous situation may result in property damage.
- **Note:** Provide information or suggestions that help correctly perform a task.
- **Torque:** When italicized "*torque*" alerts the installer to tighten fasteners to a specified value.

Safety

- **Your Safety and the Safety of Others is Very Important.**
Read and understand all safety precautions and instructions before installing this product.

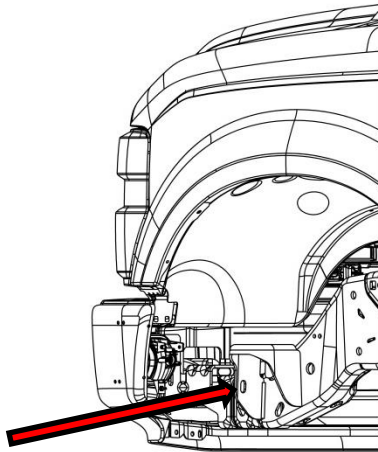
- **CAUTION: Trucks Equipped with Parking Sensors or Other Like Devices.**
Relocation of these devices will alter the field of view. It is the responsibility of the owner to understand how these changes affect the operation of these systems.

- **This Product is Intended for Off-Road Use**
All liability for installation and use rests with the owner.

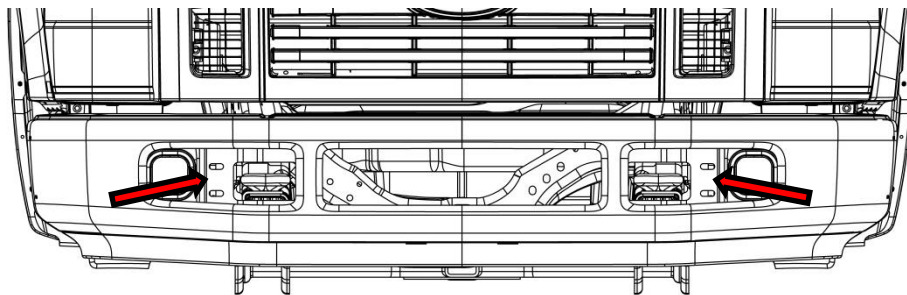
- **WARNING: Careless Installation Can Result in Serious Injury or Property Damage**
 - Wear eye protection.
 - Disconnect the battery before doing any work on the vehicle.
 - Work on flat level ground.
 - Ensure truck is properly supported by jack stands. Never work under a vehicle supported only by hydraulic jacks.
 - Take precautions when lifting product. Due to the size and weight of this product three people are recommended for installation.
 - Never work directly under the product until it has been securely fastened to the vehicle.
 - Avoid sharp, hot, and moving components when routing electrical cables.
 - If drilling inspect both sides of the surface and remove/relocate any objects located in the way.
 - Ensure all bolts are properly tightened before driving.

Bumper Removal

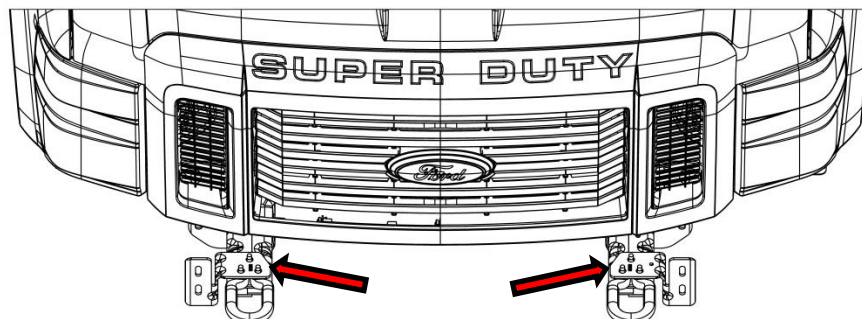
- 1:** Disconnect the wiring to any lights, sensors, or other accessories mounted to the stock bumper.
- 2:** Remove the bolt from each side that fasten the bumper corner support to the frame.



- 3:** With the bumper supported remove the four bolts located on either side of the two tow hooks. The bumper can now be removed.

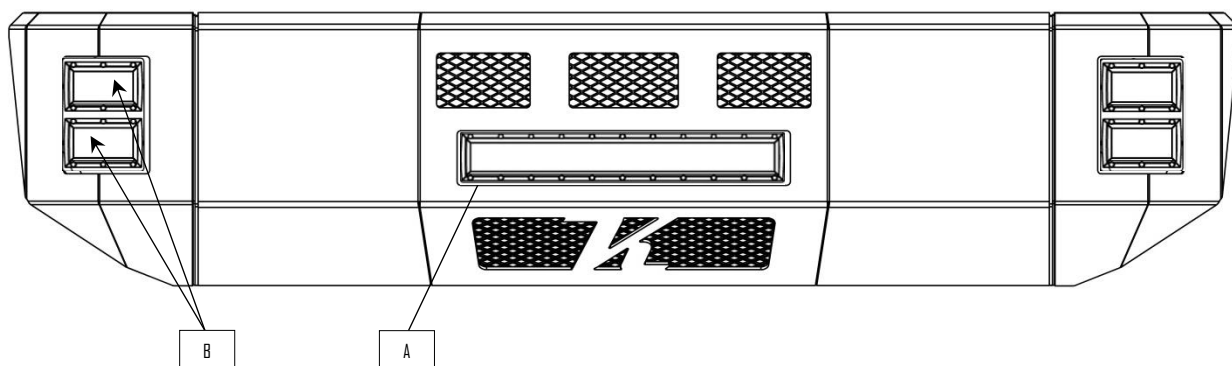


- 4:** Remove the six bolts that fasten the tow hooks to the frame. These will be reused during install.



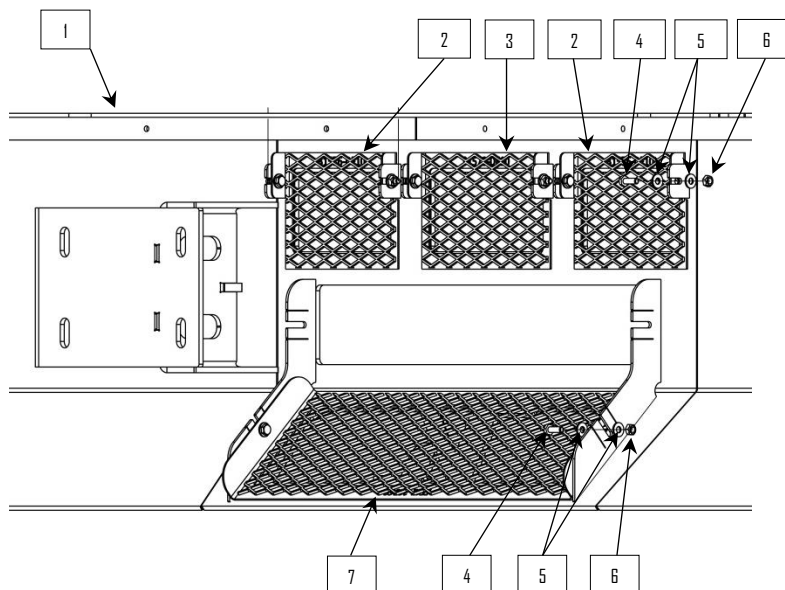
Bumper Preparation

- Before painting open every box and locate all parts. There are several smaller bushing pieces, screens, and bolt tabs that are packaged separately inside the main box.
- **CAUTION:** Kelderman Mfg. Inc. cannot guarantee correct out of the box fitment across all light brands and sizes. The installer is responsible for test fitting all lights into the bumper and making any required modifications before the bumper is sent to paint. This bumper has been designed to utilize the following Rigid Industries lights.
 - A) Rigid Industries E-Series 20 Inch Light (Center)
 - B) Rigid Industries E-Series 4 Inch Light (End Cap)

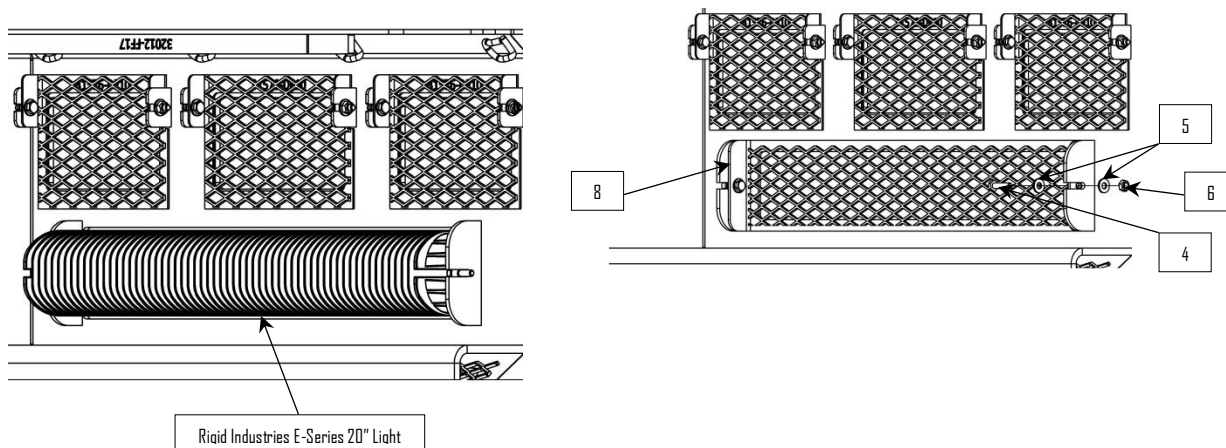


Bumper Assembly

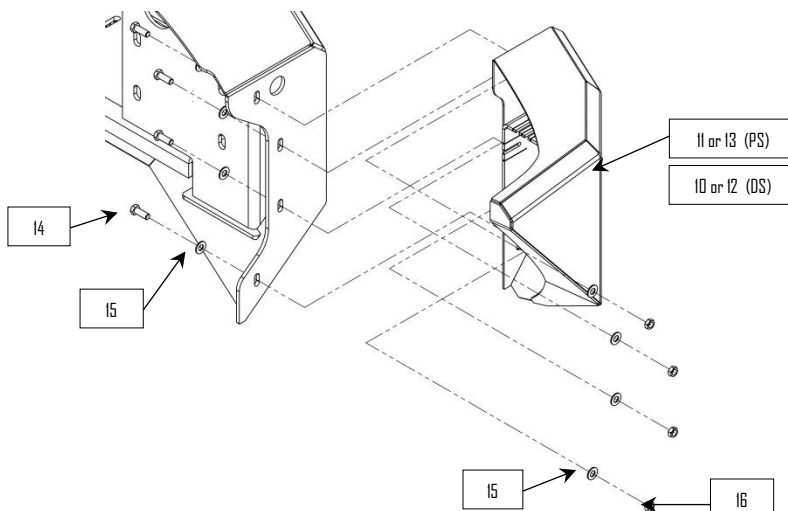
- On a clean flat non-scratching surface place the bumper center section (1) face down.



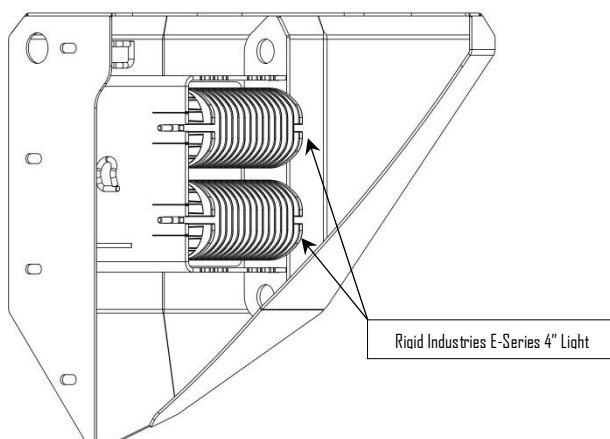
- Bolt the three upper screens (2 & 3) into the center section, using the supplied ¼" hardware (4, 5, & 6).
- Bolt the lower screen (7) into the center section, using the supplied ¼" hardware (4, 5, & 6).



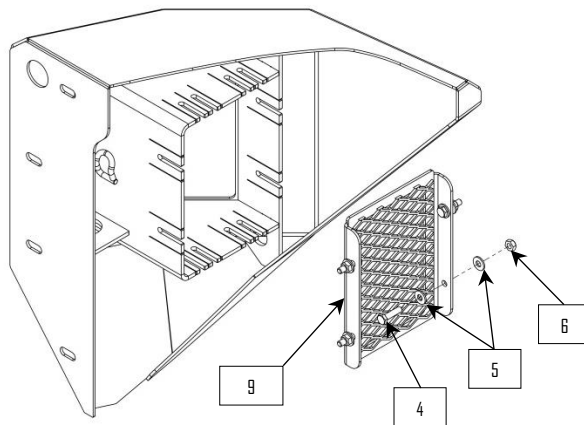
- Install the Rigid Industries E-Series 20 inch light bar (or similar light) into the center cut out using the hardware supplied with the light.
- Or if optioned install the Kelderman center light delete screen (8) using the hardware supplied with the light delete kit.



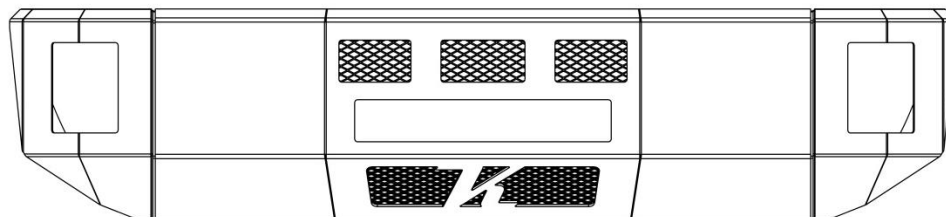
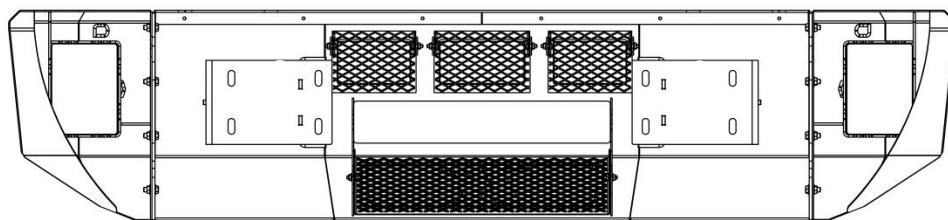
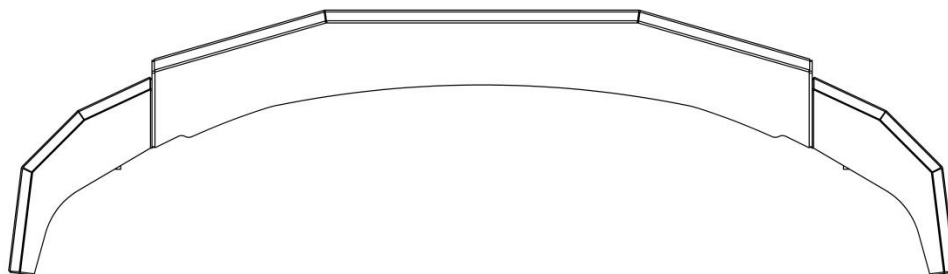
- Bolt the end caps onto the center section using the supplied hardware. Position the tops flush with the center section. Re-positioning may be required after bumper is installed onto truck. **NOTE:** While positioning use masking tape to protect painted surfaces that come into contact.
- Install the lights into each end cap.



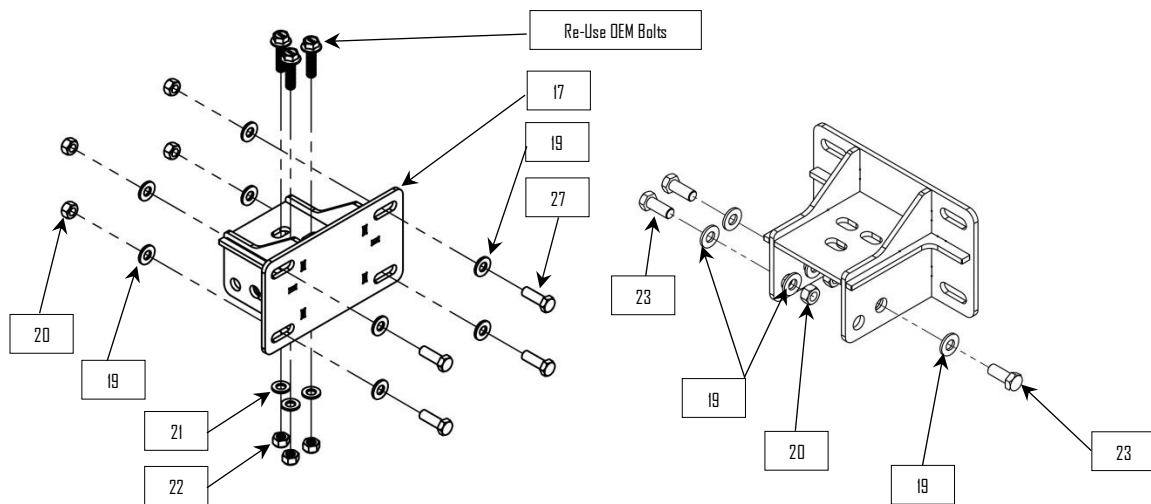
- Install horizontally two Rigid Industries 4 inch E-Series light (*or similar light*) into each end cap using the hardware supplied with the light.
 - **NOTE:** The light mounting ears will deform and draw up tight to the light as they are tightened.



- Or if optioned, install the Kelderman end cap light delete screen (9) using the hardware supplied with the light delete kit.
- Zip tie wiring to the tie downs welded inside the bumper.
- The Bumper is now ready for installation.

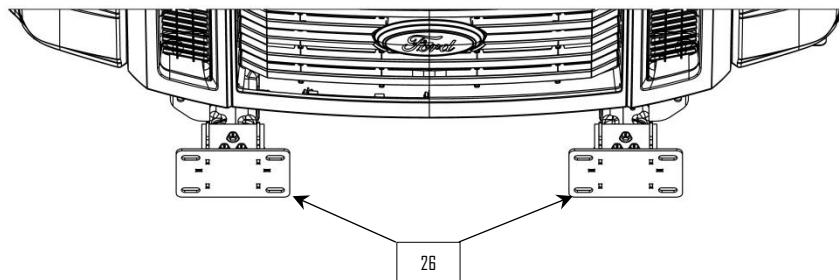


Bumper Installation

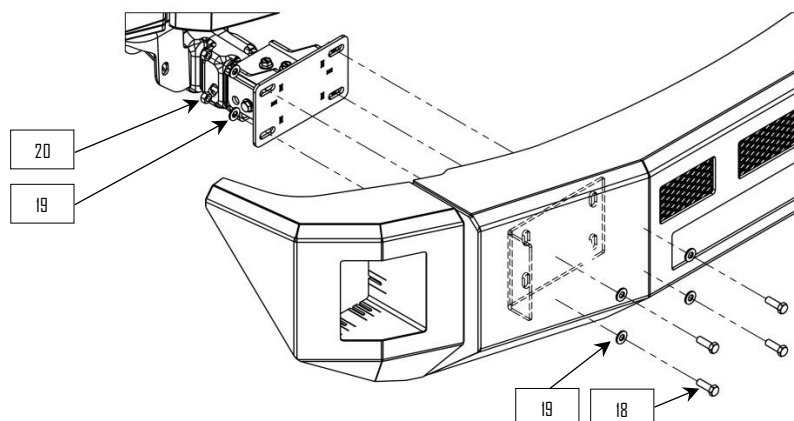


5: Install the bumper frame brackets (17). Use the OEM bolts from step 4, flat washers (21) and nuts (22) to bolt thru the top of the frame.

6: Install three ½" bolts (23) into each frame horn with washers (19) and nuts (20).

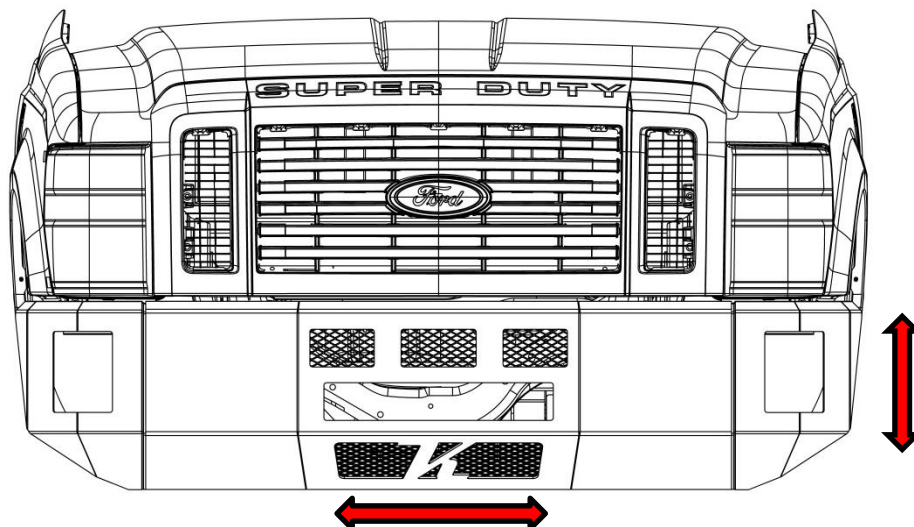


7: Use bolts (18) to position the bumper on the frame brackets (17). Use washer (19) and nut (20) to fasten the bumper to the mount.



8: Insert the remaining 1/2" hardware thru the bumper and bracket.

9: Align the bumper on the truck and tighten the mounting hardware. **NOTE:** the end caps can be re-adjusted at this point if required.



10: Torque all fasteners according to the chart below

Bolt Size	Torque
1/4"-20	70 <i>in-lb</i>
3/8"-16	20 <i>ft-lb</i>
1/2"-20	50 <i>ft-lb</i>
9/16"-18	70 <i>ft-lb</i>
7/8"-9	250 <i>ft-lb</i>
M12-1.75	60 <i>ft-lb</i>

11: Finish wiring accessories.

Parts Key

Item Number	Part Number	Description
1	32071	Center Section
2	31577	Outer Screen
3	31579	Inner Screen
4	12108	Bolt: ¼"-20 X ¾"
5	13000	Flat Washer: ¼"
6	13100	Lock Nut: ¼"-20
7	31565	Lower Screen
8	31569	Light Delete Screen Center <i>(Optional)</i>
9	31566	Light Delete Screen End Cap <i>(Optional)</i>
10	31978	End Cap (DS) Stock Width
11	31979	End Cap (PS) Stock Width
12	31976	End Cap (DS) Wide Width
13	31977	End Cap (PS) Wide Width
14	12210	Bolt: 3/8"-24 X 1-1/4"
15	13002	Flat Washer: 3/8"
16	13102	Lock Nut: 3/8"-24
17	31972	Bumper Frame Mount
18	12007	Bolt: ½"-20 X 1-1/2"
19	13004	Flat Washer: ½"
20	13124	Lock Nut: ½"-20
21	13888	Flat Washer: M12
22	13909	Lock Nut: M12-1.75
23	12005	Bolt: ½"-20 X 1-1/4"

Notes

Notes

Contact Information

- Kelderman Manufacturing appreciates your business. We strive to meet the needs of our customers by providing the highest quality products. If you have any questions concerning our products please call or email us at the following:

**2686 Highway 92
Oskaloosa, Iowa 52577**

Phone: (641) 673-5396

Fax: (641) 673-4168

Email: info@kelderman.com

