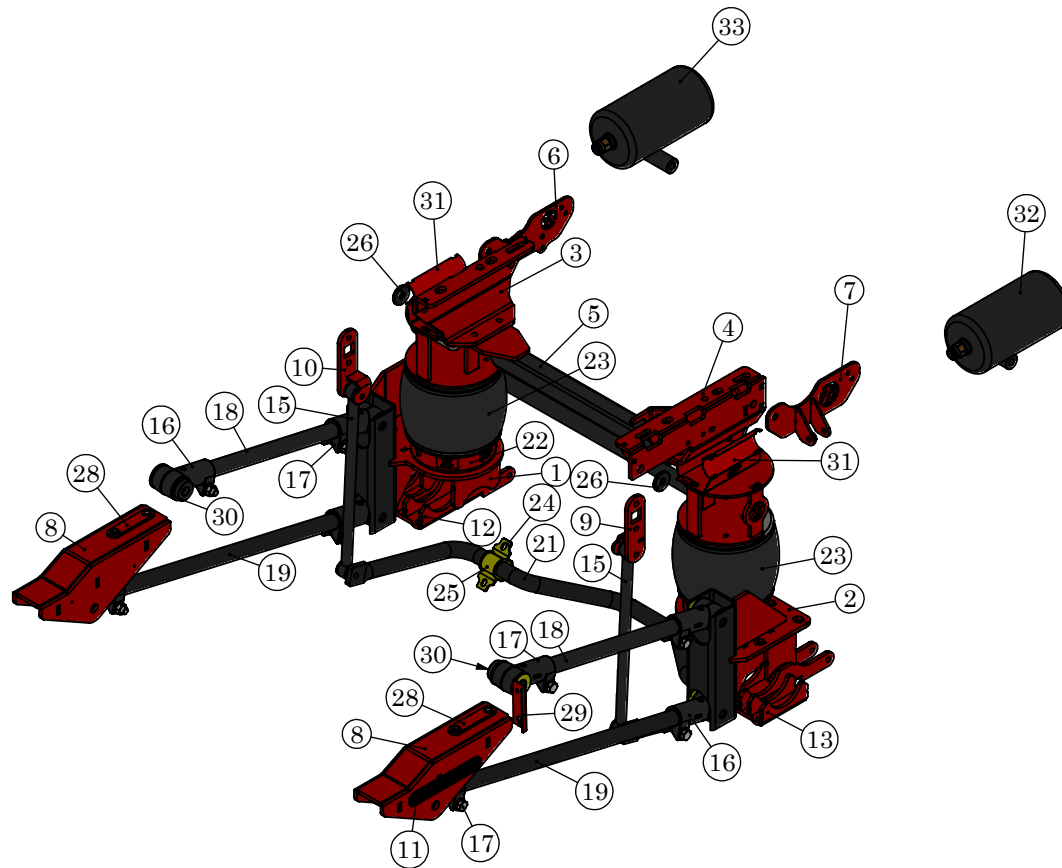


ITEM NO.	PART NUMBER	DESCRIPTION	Conf2/QTY.
1	69362	(PS) Lower Bag Mount (4" Axle)	1
2	69358	(DS) Lower Bag Mount (4.5" Axle)	1
3	69364	(PS) Upper Frame/Bag Mount	1
4	69363	(DS) Upper Frame/Bag/Panhard Bar Mount	1
5	69311	Crossmember	1
6	69319	(PS) Upper Shock Mount	1
7	69316	(DS) Upper Shock Mount	1
8	69321	Trailing Arm/Frame Mount	2
9	69335	(DS) End-Link Bracket	1
10	69338	(PS) End-Link Bracket	1
11	69340	Plate 14ga - Kelderman Badge	2
12	69165	(PS) 4.5" Axle/Shock Bracket	1
13	69164	(DS) 4.5" Axle/Shock Bracket	1
14	69341	Brake Line Relocation Bracket	1
15	69449	20" End-Link	2
16	18498	Trailing Arm Knuckle 10006	4
17	18499	Trailing Arm Knuckle 10005	4
18	52124	24" Trailing Arm Bar	2
19	52136	36" Trailing Arm Bar	2
20	69348	Adjustable Pan Hard Bar (3/4" Bolt)	1
21	1139-182KLD	1139-182KLD Sway Bar	1
22	69254	2" Riser	2
23	5748	5748 Firestone Air Bag	2
24	80046	Retainer (D-Ring)	2
25	80141	4139-182KLD Sway Bar Bushing	2
26	16955	(PHB) Spacer (5/8" Bolt)	2
27	18769	Shock Bushing	2
28	69446	Perch Mounting Tab	2
29	69444	Brake Reloaction Bracket	1
30	18768	Bushing - 2" OD x .875" ID x .5625" Thick	2
31	69452	Shock Reservoir Bracket	2
32	69150	(DS) Accumulator Tank	1
33	69151	(PS) Accumulator Tank	1



Friday, March 3, 2017 10:35:13 AM

Project: 2017 F450 Pickup

TITLE: 4.5" Axle, 8-10" Lift (Rear)

DWG. NO. KLM-69027

SCALE: 1:32

kelderman

DO NOT SCALE DRAWING

SHEET 2 OF 2

UNLESS OTHERWISE SPECIFIED:
 DIMENSIONS ARE IN INCHES
 TOLERANCES, Unless Specified
 FRACTIONAL ± 1/32"
 ANGULAR: MACH ± .5°
 TWO PLACE DECIMAL ± .03
 THREE PLACE DECIMAL ± .010

MATERIAL
FINISH
WEIGHT 574.20

DESIGN BY	ZPB
Shelf #/ QTY	
NEW DXF	
Run QTY	

PROPRIETARY AND CONFIDENTIAL
 THE INFORMATION CONTAINED IN THIS DRAWING IS THE SOLE PROPERTY OF KELDERMAN MFG. INC. ANY REPRODUCTION IN PART OR AS A WHOLE WITHOUT THE WRITTEN PERMISSION OF KELDERMAN MFG. INC. IS PROHIBITED.