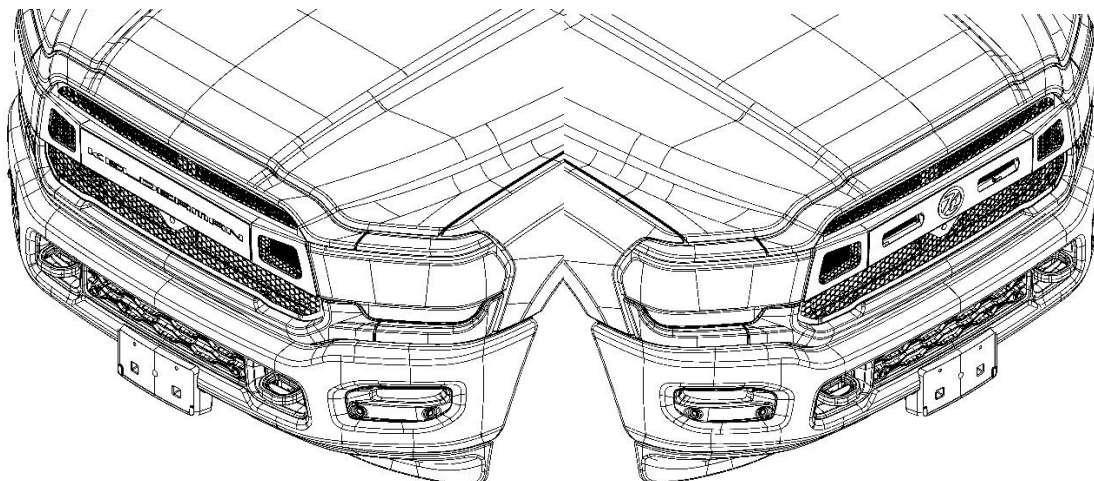




Alpha and Bravo Series Grille Installation Manual

- 2019 Ram 2500-5500

Kelderman Alpha and Bravo Series Grille



Alpha

Bravo

- Contents

- Kit Numbers..... (3)
- Introduction..... (4)
- Safety..... (5)
- Grille Removal..... (6)
- Grille Assembly..... (9)
- Grille Installation..... (12)
- Parts Key..... (14)
- Contact Information..... (16)

Kit Numbers

- This installation manual covers the following grilles.

Kit Number	Description
KLM-501041019-008020100	Ram 2500 – Alpha Smooth
KLM-501041019-002020100	Ram 2500 – Bravo Smooth
KLM-501041019-002020106	Ram 2500 – Bravo Smooth – 6” Light
KLM-501042019-008020100	Ram 3500 – Alpha Smooth
KLM-501042019-002020100	Ram 3500 – Bravo Smooth
KLM-501042019-002020106	Ram 3500 – Bravo Smooth – 6” Light
KLM-501043019-008020100	Ram 4500 – Alpha Smooth
KLM-501043019-002020100	Ram 4500 – Bravo Smooth
KLM-501043019-002020106	Ram 4500 – Bravo Smooth – 6” Light
KLM-501044019-008020100	Ram 5500 – Alpha Smooth
KLM-501044019-002020100	Ram 5500 – Bravo Smooth
KLM-501044019-002020106	Ram 5500 – Bravo Smooth – 6” Light

Introduction

- **Important**

It is important that the entire installation instructions be read thoroughly before proceeding with grille installation.

- **Product Installer Responsibilities**

Installer is responsible for installing this product in accordance with Kelderman Mfg. Inc. specifications and installation instructions.

Installer is responsible for providing proper installation of vehicle components and attachments as well as required or necessary clearance for suspension components, axles, wheels, tires, and other vehicle components to ensure a safe and sound installation and operation of this product.

Kelderman Mfg. Inc. cannot guarantee correct out of the box fitment across all light brands and sizes. The installer is responsible for test fitting all lights into the grille and making any required modifications before the grille is sent to paint. This grille has been designed to utilize the following Rigid Industries lights.

- Rigid Industries SR-Series 6 Inch

- **Product Owner Responsibilities**

Owner is solely responsible for pre-operation inspection, periodic inspections, maintenance, and use of the product as specified by Kelderman Mfg. Inc.

- **Definition of Terms**

- **Warning:** Indicates a potentially hazardous situation which, if not avoided, could result in death or serious injury.
- **Caution:** A potential hazardous situation may result in property damage.
- **Note:** Provide information or suggestions that help correctly perform a task

Safety

- **Your Safety and the Safety of Others is Very Important.**
Read and understand all safety precautions and instructions before installing this product.

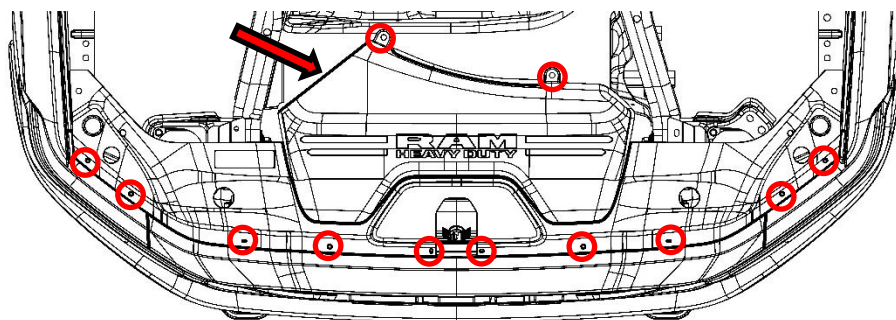
- **CAUTION: Trucks Equipped with Parking Sensors, Cameras, or Other Like Devices.**
Relocation of these devices will alter the field of view. It is the responsibility of the owner to understand how these changes affect the operation of these systems.

- **This Product is Intended for Off-Road Use**
All liability for installation and use rests with the owner.

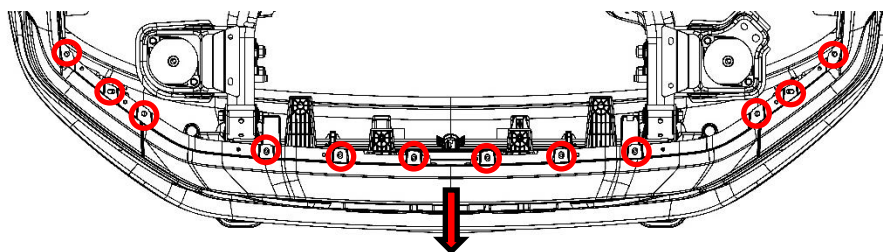
- **WARNING: Careless Installation Can Result in Serious Injury or Property Damage**
 - Wear eye protection.
 - Disconnect the battery before doing any work on the vehicle.
 - Work on flat level ground.
 - Ensure truck is properly supported by jack stands. Never work under a vehicle supported only by hydraulic jacks.
 - Never work directly under the product until it has been securely fastened to the vehicle.
 - Avoid sharp, hot, and moving components when routing electrical cables.
 - If drilling inspect both sides of the surface and remove/relocate any objects located in the way.
 - Ensure all bolts are properly tightened before driving.

Grille Removal

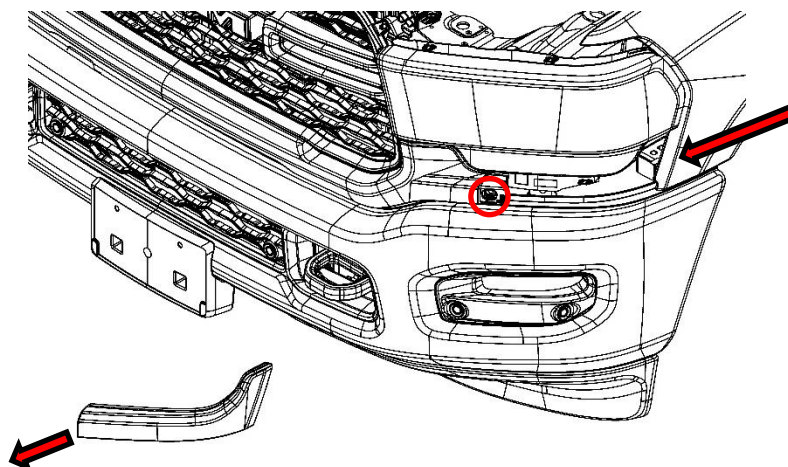
- 1: To access the grille first remove the black plastic radiator cover panel. Disconnect the airbox intake tube. This will be reinstalled.



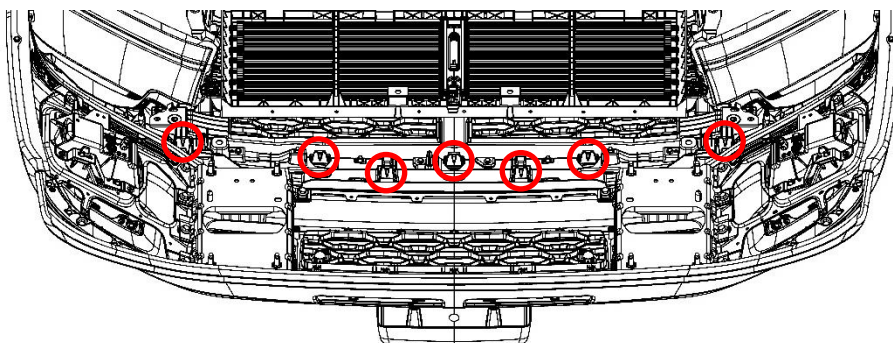
- 2: Remove the screws holding the upper trim panel in place. The panel contains plastic alignment pins, pull forward to remove the panel from the truck. This will be reinstalled.



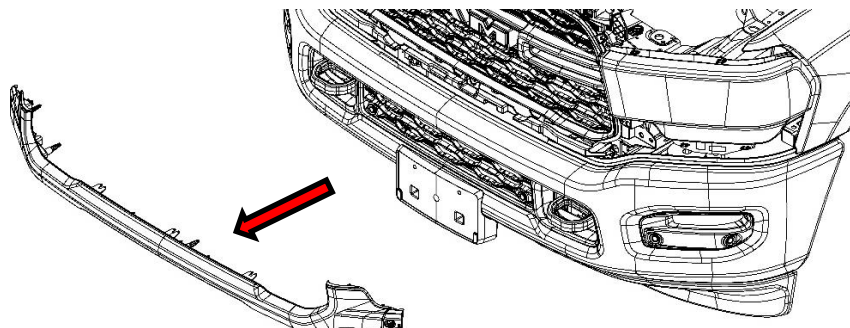
- 3: Remove the plastic corner trim under each headlight, these are snapped in place. Start at the fender gap and use a plastic wedge to pry on the corner trim while pulling straight forward. Remove the screw located behind the corner Trim. These will be reinstalled.



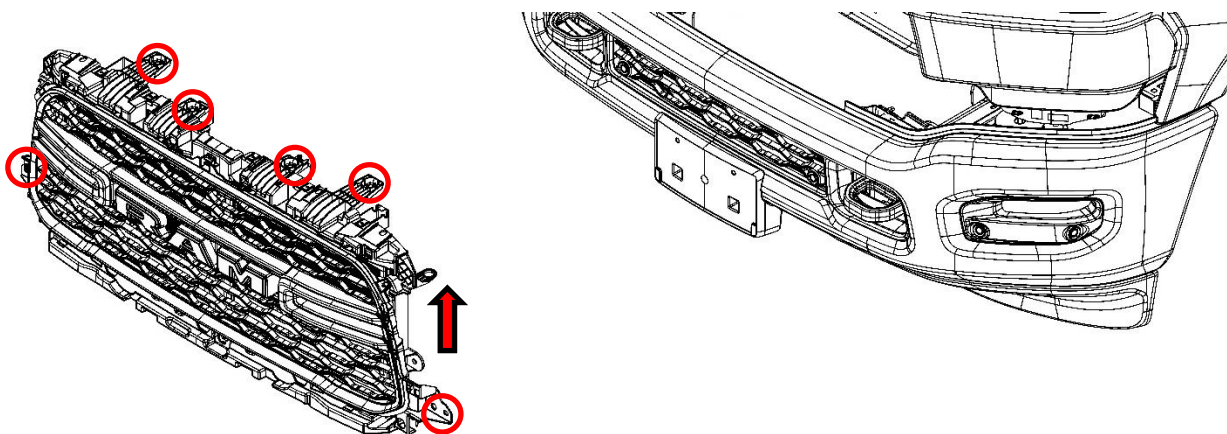
- 4:** Remove the lower trim panel. Loosen the seven nuts located on the underside of the panel.



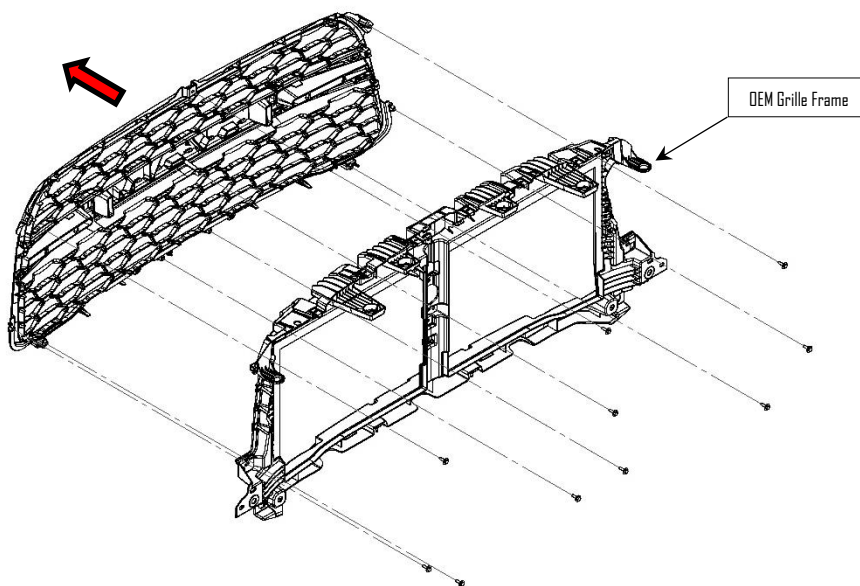
- 5:** The panel contains plastic alignment pins, pull forward to remove the panel from the truck. This will be reinstalled.



- 6:** Remove the six screws that fasten the grille frame to the truck. The grille frame sits on two alignment pins, lift the grille up off the pins then pull the grille forward and out.
NOTE: Disconnect the front camera wiring.

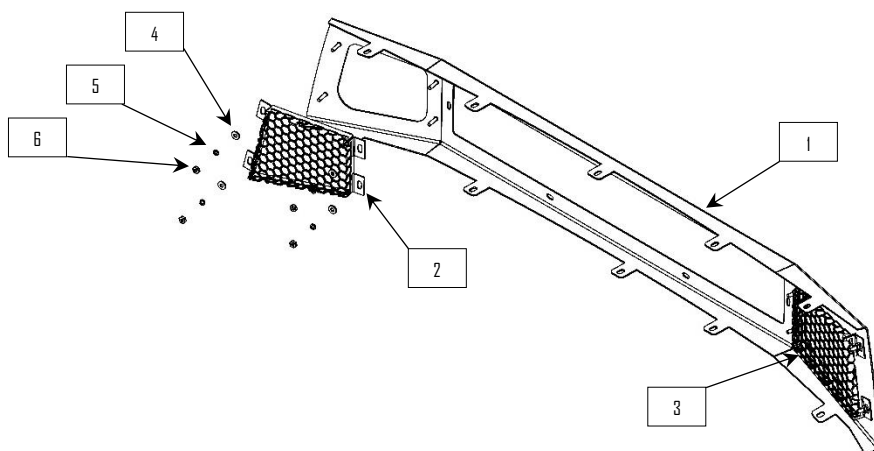


- 7:** Remove the screws that fasten the grille to the frame. Pry apart the remaining plastic tabs to remove the grille from the frame. The grille frame will be reinstalled.

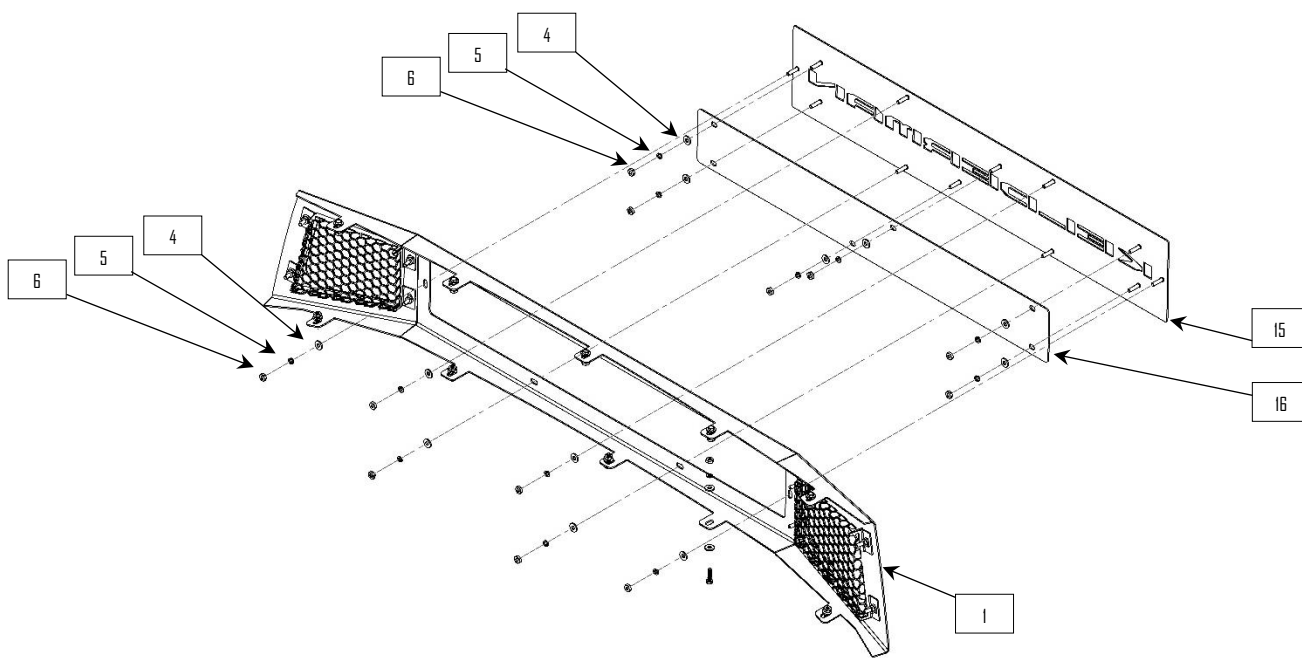


Grille Assembly

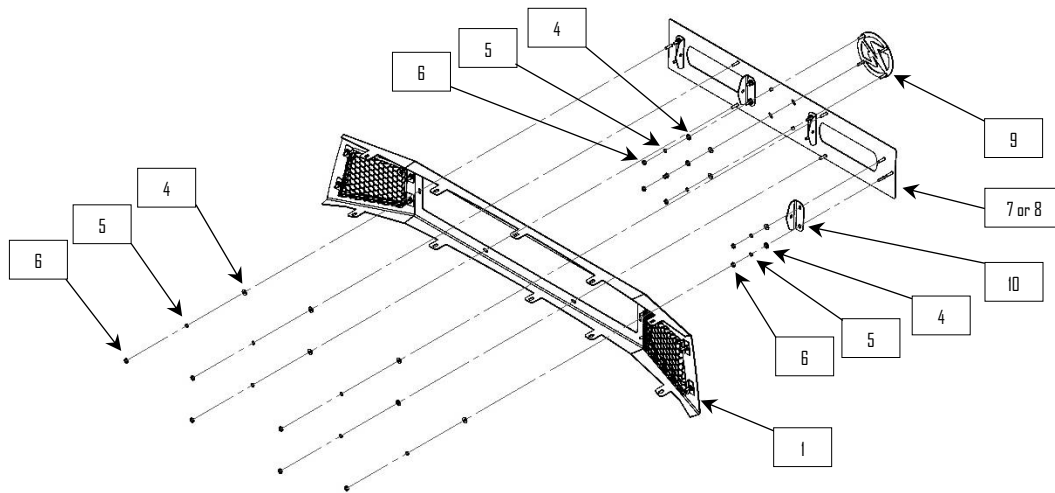
- **NOTE:** This section covers multiple grille options. Not all steps and parts depicted may pertain to your grille install.
- Use the #10 hardware (4, 5, & 6) to fasten the side mesh (2 & 3) into the blade frame (1).



- **Alpha Grille:** Bolt the blade (15) and the blade backing plate (16) to the blade frame (1) using the #10 hardware (4, 5, & 6).

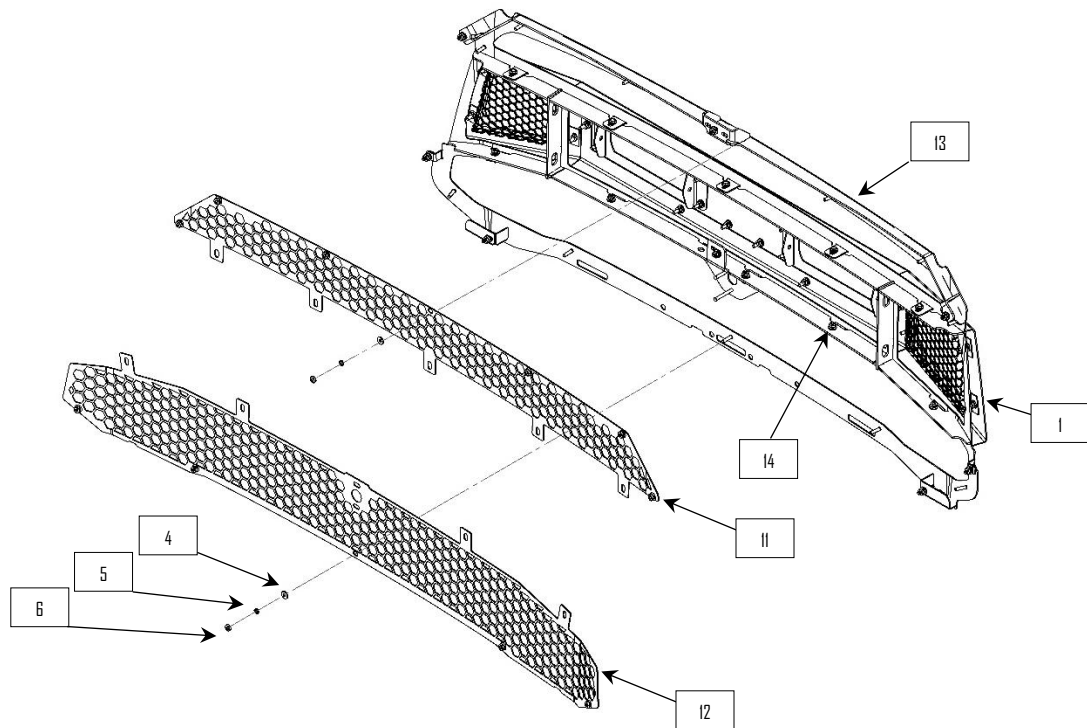


- **Bravo Grille:** Bolt the blade (7 or 8) and the center logo (9) to the blade frame (1) using the #10 hardware (4, 5, & 6).

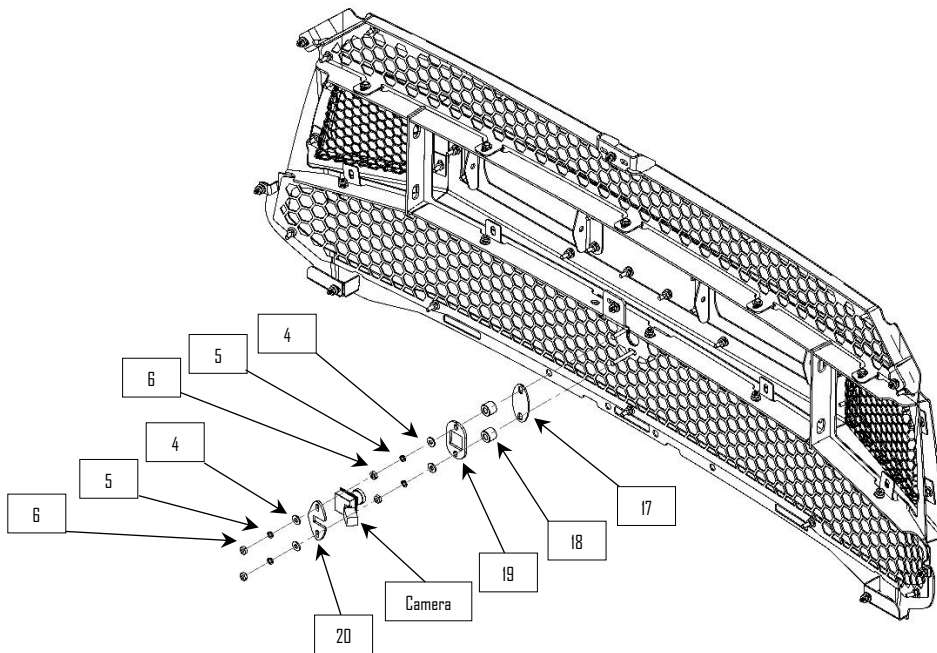


- Light Installation.
 - If optional fasten light brackets (10) to the 6" SR Rigid light using the hardware supplied with the light before bolting the brackets to blade frame using #10 hardware (4, 5, & 6).

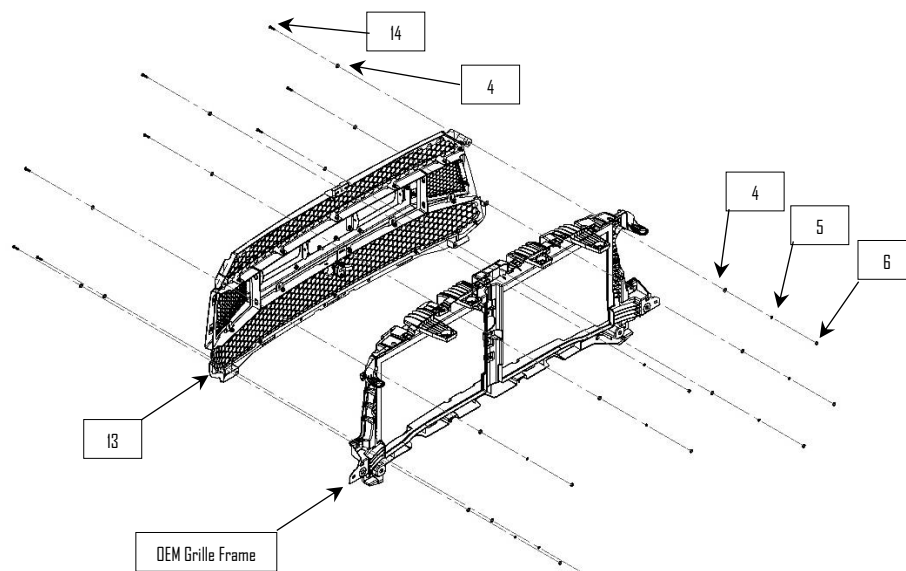
- Fasten the assembled blade frame (1), the upper mesh (11), and the lower mesh (12) to the grille frame (13) using #10 hardware (4, 5, 6, & 14).



- Non-camera trucks: Install camera block off plate (17) using #10 hardware (4, 5, & 6).
- Camera equipped trucks: Install camera standoff bushings (18) and camera standoff plate (19) using #10 hardware (4, 5, & 6). Place the camera into the camera standoff plate (19), use camera retainer (20) and #10 hardware (4, 5, & 6) to fasten the camera to the grille. **NOTE:** Camera block off plate (17) is not used.



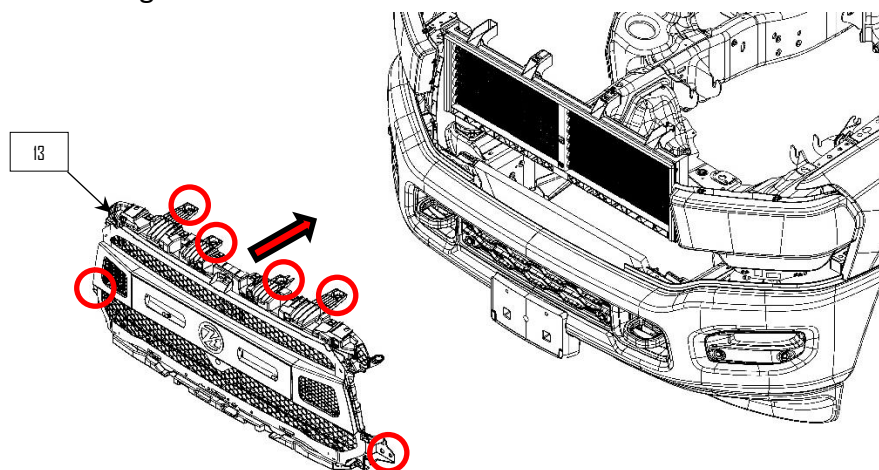
- Attach the OEM frame that was removed in *step 7* to the assembled grille frame (13) using #10 hardware (4, 5, 6, & 14).



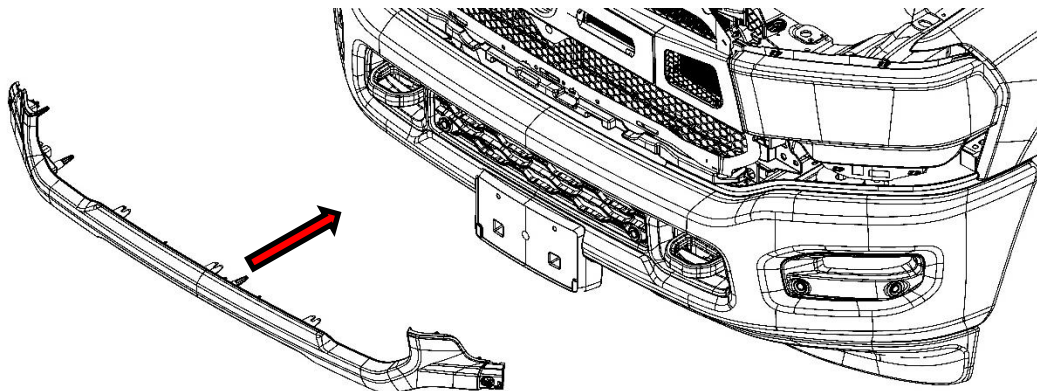
Grille Installation

8: Wire lights, if optioned.

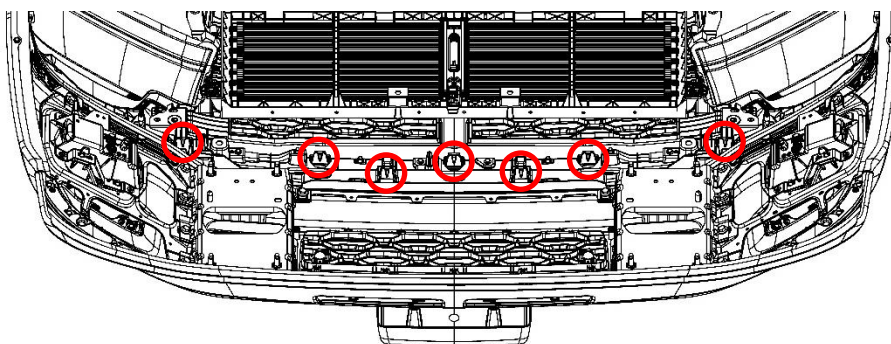
9: Install the assembled grille frame (13), reuse the hardware removed in *step 6*. Connect the camera wiring.



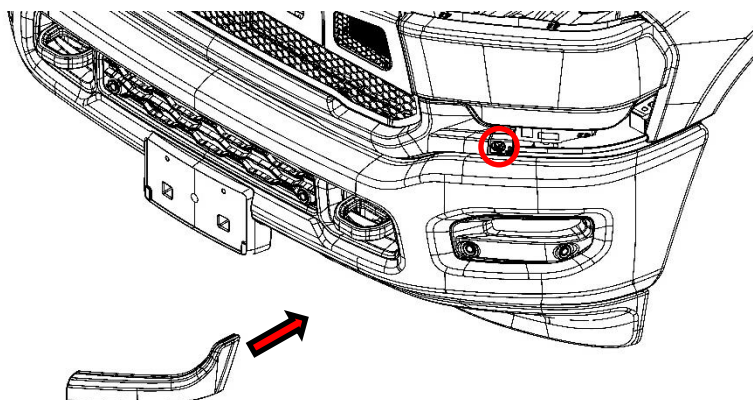
10: Reinstall the lower trim panel from *step 5*.



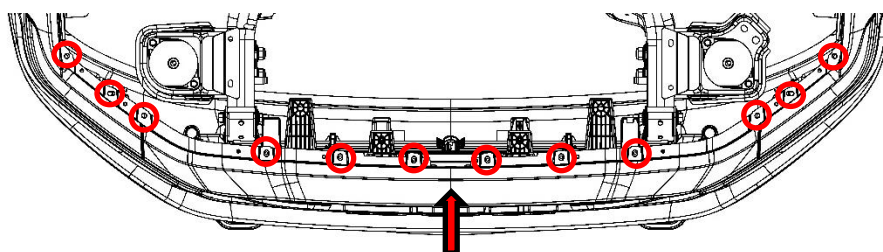
11: Reinstall the OEM nuts removed in *step 4* to fasten the lower trim panel to the truck.



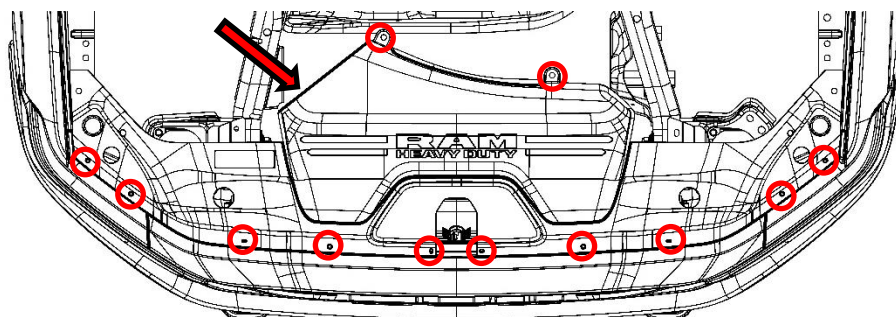
- 12:** Reinstall the screws located under the headlight removed in *step 3* and snap the lower corner trim back into place.



- 13:** Use the OEM hardware removed in *step 2* to reinstall the upper trim panel. **NOTE:** Carefully shut the hood while checking the clearance and panel gap between the hood and the upper trim, adjust the upper trim if required.



- 14:** Use the OEM hardware removed in *step 1* to reinstall the black plastic radiator cover panel, reinstall the airbox intake tube. **NOTE:** Carefully shut the hood while checking the clearance between the hood and the radiator cover panel, adjust the panel if required.



Parts Key

Item Number	Part Number	Description
1	10009088	Weldment - Blade Frame
2	10009083	Plate - 16ga - Honeycomb Screen (DS)
3	10009069	Plate - 16ga - Honeycomb Screen (PS)
4	14062	Flat Washer: #10
5	14086	Split Lock Washer: #10
6	14070	Hex Nut: #10-24
7	10007845	Weldment - Bravo Blade - 6" SR Light
8	10009351	Weldment - Bravo Blade
9	10007843	Weldment - "K" Logo 3-15/16" Bolt Circle
10	10007790	Plate - 14ga - Light Bracket
11	10009170	Plate - 16ga - Honeycomb Upper Screen
12	10009182	Plate - 16ga - Honeycomb Lower Screen
13	10009095	Weldment - Grille Frame
14	14096	Hex Head Machine Screw - #10-24x3/4"
15	10007792	Weldment - Alpha Blade
16	10007668	Plate - 14ga - Alpha Blade Backing Plate
17	10007936	Plate - 14ga - Camera Block Off Plate
18	10006654	Bushing - .288" ID x 1/2" L - Camera Standoff
19	10009166	Plate - 11ga - Camera Standoff
20	10009033	Plate - 11ga. - Camera Positioner - 2021 style

Notes

Contact Information

- Kelderman Manufacturing appreciates your business. We strive to meet the needs of our customers by providing the highest quality products. If you have any questions concerning our products please call or email us at the following:

**2686 Highway 92
Oskaloosa, Iowa 52577**

Phone: (641) 673-5396

Fax: (641) 673-4168

Email: info@kelderman.com

