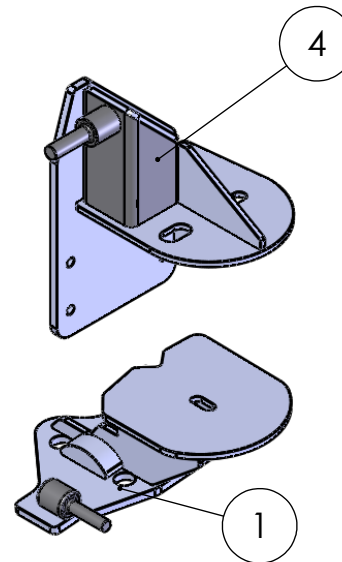
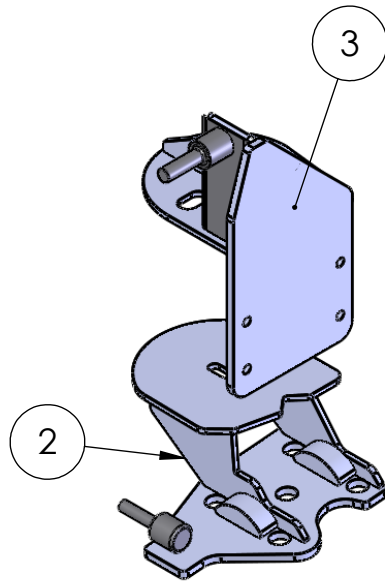


ITEM NO.	PART NUMBER	DESCRIPTION	Default(PM)/QTY.
1	10903	MOUNT - FRONT BAG PS	1
2	10904	MOUNT - FRONT BAG (DS)	1
3	11623	MOUNT - FORD FRONT 0" (PS)	1
4	11624	MOUNT - FORD FRONT 0" (DS)	1



UNLESS OTHERWISE SPECIFIED: DIMENSIONS ARE IN INCHES TOLERANCES: FRACTIONAL $\pm 1/32"$ ANGULAR: MACH ± 1 BEND ± 1 TWO PLACE DECIMAL $\pm .030$ THREE PLACE DECIMAL $\pm .010$	Design By: Zach Beltz 2014	Project: 99-04 F250/350 Front P/U	
	Shelf # / Qty		
	Inventory		
	Run Qty:		
MATERIAL	PROPRIETARY AND CONFIDENTIAL THE INFORMATION CONTAINED IN THIS DRAWING IS THE SOLE PROPERTY OF KELDERMAN MFG. INC. ANY REPRODUCTION IN PART OR AS A WHOLE WITHOUT THE WRITTEN PERMISSION OF KELDERMAN MFG. INC. IS PROHIBITED.		
FINISH			
WEIGHT 58.23	SIZE A	DWG. NO. 11145	
	SCALE: 1:12	DO NOT SCALE DRAWING	SHEET 1 OF 1