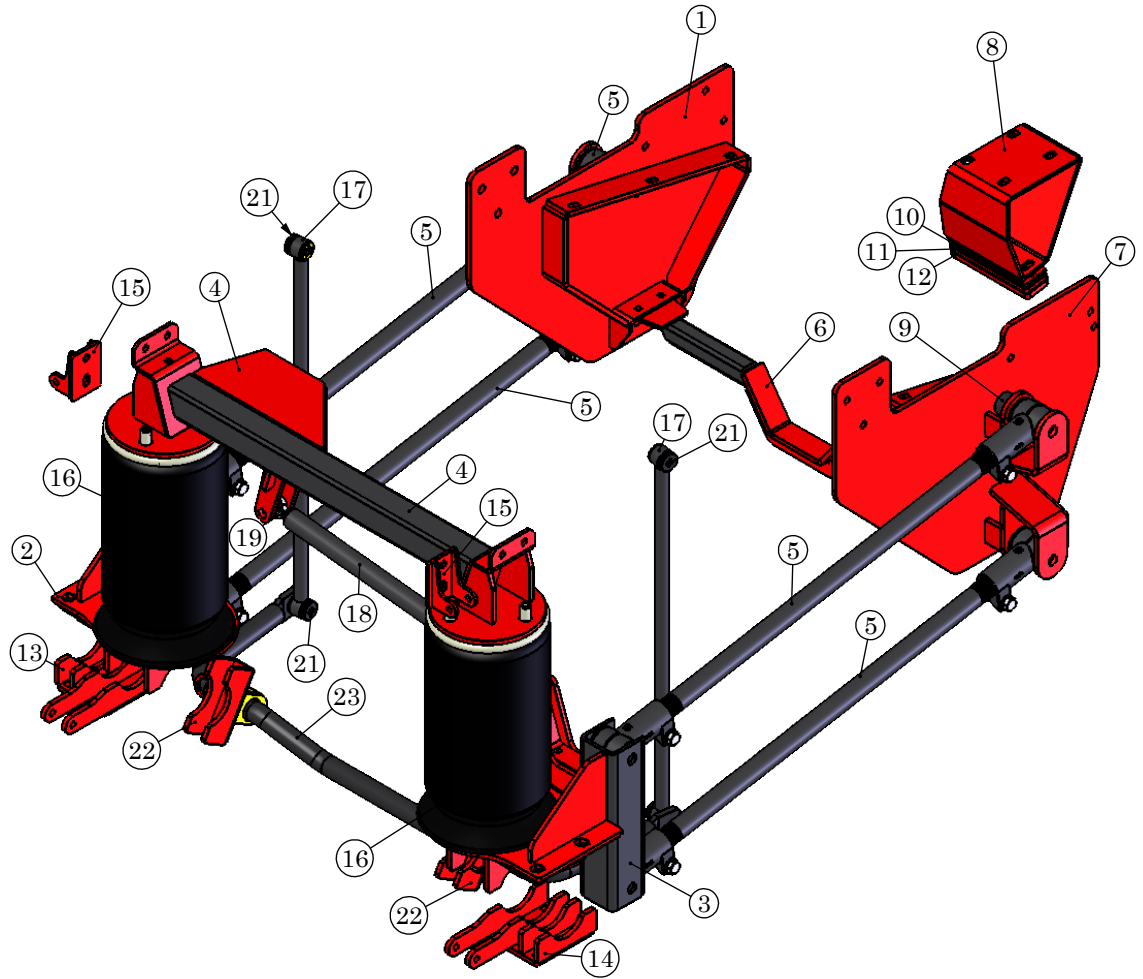


ITEM NO.	PART NUMBER	DESCRIPTION	QTY.
1	11237	(DS) Side Plate	1
2	10409	(DS) Lower Bag Mount (14" Tube)	1
3	10408	(PS) Lower Bag Mount	1
4	10419	Crossmember / (PHB) Mount / Upper Bag Mount	1
5	10515	41" Trailing Arm	4
6	11776	CROSSMEMBER - STRAIGHT	1
7	11236	(PS) Side Plate	1
8	10295	MOUNT - CARRIER BEARING	1
9	18774	Side Plate Spacer	4
10	10579	(CB) Shim - 1/4"	1
11	11927	(CB) Shim - 3/8"	1
12	11928	(CB) Shim - 1/2"	1
13	10619	Axle Clamp w/ Shock Mount (3.5)	1
14	10621	Axle Clamp w/ Shock Mount (3.5")	1
15	19042	(FOX) Shock Mounting Bracket	2
16	80012-9619	Firestone 9619	2
17	52038	32" End Link	2
18	11524	22.75" Panhard Bar	1
19	80109	(RH) Ball Joint Rod End 3/4-16 x 3/4"	1
20	80110	(LH) Ball Joint Rod End 3/4-16 x 3/4"	1
21	11551	1.5"OD x .53" ID x 1/4"	4
22	11854	CLAMP - LOWER AXLE(3.50)	2
23	1139-154KLD	Sway Bar Kit	1



UNLESS OTHERWISE SPECIFIED:
 DIMENSIONS ARE IN INCHES
 TOLERANCES, Unless Specified
 FRACTIONAL $\pm 1/32$ "
 ANGULAR: MACH $\pm .5^\circ$
 TWO PLACE DECIMAL $\pm .03$
 THREE PLACE DECIMAL $\pm .010$

MATERIAL
 FINISH
 WEIGHT **436.94975773**

DESIGN BY ZPB
 Shelf #/ QTY
 NEW DXF
 Run QTY

PROPRIETARY AND CONFIDENTIAL
 THE INFORMATION CONTAINED IN THIS DRAWING IS THE SOLE PROPERTY OF KELDERMAN MFG. INC. ANY REPRODUCTION IN PART OR AS A WHOLE WITHOUT THE WRITTEN PERMISSION OF KELDERMAN MFG. INC. IS PROHIBITED.

Thursday, August 31, 2017 11:45:25 AM
 Project: 1999-2004 F250-350 Pickup / Harley Truck
 TITLE: Link (Rear) 12-14" Lift - 3.5" Axle - Short Box

DWG. NO. KLM-11235 SCALE: 1:32
 DO NOT SCALE DRAWING
kelderman
 SHEET 1 OF 2

