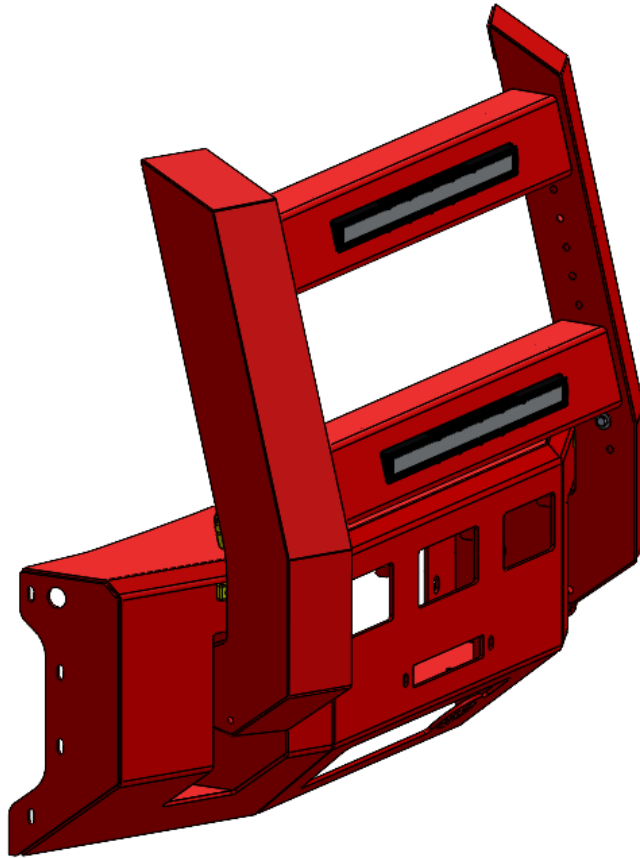


INSTALL INSTRUCTIONS

2019+ GM 4500-6500 CAB CHASSIS



**COMMANDER GRILLE
GUARD - ALPHA SERIES
BUMPERS**

kelderman



TABLE OF CONTENTS

- ◆ **KIT NUMBERS.....(3)**
- ◆ **INTRODUCTION.....(4)**
- ◆ **SAFETY.....(5)**
- ◆ **PRODUCT OWNER RESPONSIBILITIES.....(6)**
- ◆ **GRILL GUARD PREPARATION.....(7)**
- ◆ **INSTALLATION WITH BUMPER.....(8-13)**
- ◆ **KIT DRAWINGS.....(14)**
- ◆ **NOTES.....(15)**
- ◆ **CONTACT INFORMATION.....(16)**

kelderman



KIT NUMBERS

- THIS INSTALLATION MANUAL COVERS THE FOLLOWING AIR RIDE KITS:

KIT NUMBER	DESCRIPTION
<p>KLM-200063019-02323000000</p> <p>KLM-200064019-02323000000</p> <p>KLM-200065019-02323000000</p>	<p>2019+ CHEVROLET SILVERADO 4500/5500/6500 ALPHA FRONT BUMPER COMMANDER GRILLE GUARD - 33-5/16" CROSSBARS, 20" SQUARE LIGHT CUTOUT (X2), SMOOTH, DROP FRONT (GLAM SHELL HOOD)</p>
<p>KLM-200065019-02424000000</p>	<p>2019+ CHEVROLET SILVERADO 4500/5500/6500 ALPHA FRONT BUMPER COMMANDER GRILLE GUARD - 33-5/16" CROSSBARS, SMOOTH, DROP FRONT (GLAM</p>



INTRODUCTION

IMPORTANT

- ◆ IT IS IMPORTANT THAT THE ENTIRE INSTALLATION INSTRUCTIONS BE READ THOROUGHLY BEFORE PROCEEDING WITH INSTALLATION.
- ◆ IF YOUR KIT WAS ORDERED RAW, OPEN EVERY BOX AND LOCATE ALL PARTS. THERE ARE SEVERAL SMALLER BUSHING PIECES AND BOLTS THAT ARE PACKAGED SEPARATELY INSIDE THE MAIN BOX.

PRODUCT INSTALLER RESPONSIBILITIES

- ◆ INSTALLER IS RESPONSIBLE FOR INSTALLING THIS PRODUCT IN ACCORDANCE WITH KELDERMAN MFG. INC. SPECIFICATIONS AND INSTALLATION INSTRUCTIONS.
- ◆ INSTALLER IS RESPONSIBLE FOR PROVIDING PROPER INSTALLATION OF VEHICLE COMPONENTS AND ATTACHMENTS AS WELL AS REQUIRED OR NECESSARY CLEARANCE FOR SUSPENSION COMPONENTS, AXLES, WHEELS, TIRES, AND OTHER VEHICLE COMPONENTS TO ENSURE A SAFE AND SOUND INSTALLATION AND OPERATION OF THIS PRODUCT.

DEFINITION OF TERMS

- ◆ **WARNING:** INDICATES A POTENTIALLY HAZARDOUS SITUATION WHICH, IF NOT AVOIDED, COULD RESULT IN DEATH OR SERIOUS INJURY.
- ◆ **CAUTION:** A POTENTIAL HAZARDOUS SITUATION MAY RESULT IN PROPERTY DAMAGE.
- ◆ **NOTE:** PROVIDE INFORMATION OR SUGGESTIONS THAT HELP CORRECTLY PERFORM A TASK.
- ◆ **TORQUE:** WHEN ITALICIZED "TORQUE" ALERTS THE INSTALLER TO TIGHTEN FASTENERS TO A SPECIFIED VALUE.

kelderman



SAFETY

YOUR SAFETY AND THE SAFETY OF OTHERS IS VERY IMPORTANT.

- ◆ READ AND UNDERSTAND ALL SAFETY PRECAUTIONS AND INSTRUCTIONS BEFORE INSTALLING THIS PRODUCT.

CAUTION: TRUCKS EQUIPPED WITH PARKING SENSORS OR OTHER LIKE DEVICES.

- ◆ RELOCATION OF THESE DEVICES WILL ALTER THE FIELD OF VIEW. IT IS THE RESPONSIBILITY OF THE OWNER TO UNDERSTAND HOW THESE CHANGES AFFECT THE OPERATION OF THESE SYSTEMS.

WARNING: COMPONENTS UNDER PRESSURE.

- ◆ BLEED ALL PRESSURE FROM THE AIR SYSTEM BEFORE PERFORMING ANY MAINTENANCE OR SERVICE. SERIOUS INJURY COULD OCCUR IF COMPONENTS ARE REMOVED WHILE SYSTEM IS PRESSURIZED.

WARNING: CARELESS INSTALLATION CAN RESULT IN SERIOUS INJURY OR PROPERTY DAMAGE

- ◆ WEAR EYE PROTECTION.
- ◆ DISCONNECT THE BATTERY BEFORE DOING ANY WORK ON THE VEHICLE.
- ◆ WORK ON FLAT LEVEL GROUND.
- ◆ ENSURE TRUCK IS PROPERLY SUPPORTED BY JACK STANDS. NEVER WORK UNDER A VEHICLE SUPPORTED ONLY BY HYDRAULIC JACKS.
- ◆ TAKE PRECAUTIONS WHEN LIFTING PRODUCT. DUE TO THE SIZE AND WEIGHT OF THIS PRODUCT TWO PEOPLE ARE RECOMMENDED FOR INSTALLATION.
- ◆ NEVER WORK DIRECTLY UNDER THE PRODUCT UNTIL IT HAS BEEN SECURELY FASTENED TO THE VEHICLE.
- ◆ AVOID SHARP, HOT, AND MOVING COMPONENTS WHEN ROUTING ELECTRICAL CABLES AND AIR LINES.
- ◆ IF DRILLING, INSPECT BOTH SIDES OF THE SURFACE AND REMOVE/RELOCATE ANY OBJECTS LOCATED IN THE WAY.
- ◆ ENSURE ALL BOLTS ARE PROPERLY TIGHTENED BEFORE DRIVING.

kelderman



PRODUCT OWNER RESPONSIBILITIES

- ◆ PRODUCT OWNER IS SOLELY RESPONSIBLE FOR PRE-OPERATION INSPECTION, PERIODIC INSPECTIONS, MAINTENANCE, AND USE OF THE PRODUCT AS SPECIFIED BY KELDERMAN MFG. INC. OF PARTICULAR IMPORTANCE IS THE RE-TORQUE OF FASTENERS.
- ◆ THIS RE-TORQUE MUST BE PERFORMED WITHIN 2500 MILES OF THIS PRODUCT BEING PUT INTO SERVICE.
- ◆ PRODUCT OWNER IS RESPONSIBLE FOR “*DOWN TIME*” EXPENSES, CARGO DAMAGE, AND ALL BUSINESS COSTS AND LOSSES RESULTING FROM A WARRANTABLE FAILURE.

SERVICE INTERVALS**FIRST 2,500 MILES**

- ◆ CHECK FOR ANY LOOSE OR RUBBING HOSES AND WIRES.
- ◆ RE-TORQUE ALL HARDWARE.

EVERY 30,000 MILES

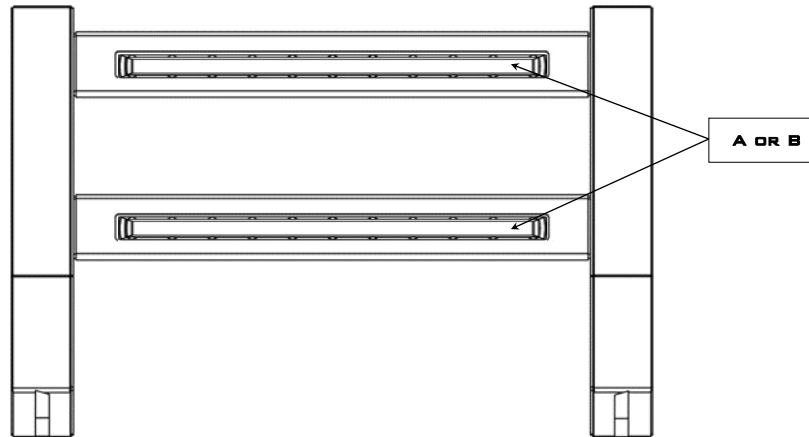
- ◆ CHECK FOR ANY LOOSE OR RUBBING HOSES AND WIRES.
- ◆ RE-TORQUE ALL HARDWARE.

kelderman

GRILLE GUARD PREPARATION

- ◆ BEFORE PAINTING, OPEN EVERY BOX AND LOCATE ALL PARTS. SOME ITEMS ARE PACKAGED SEPARATELY INSIDE THE MAIN BOX.
- ◆ **CAUTION:** KELDERMAN MFG. INC. CANNOT GUARANTEE CORRECT OUT OF THE BOX FITMENT ACROSS ALL LIGHT BRANDS AND SIZES. THE INSTALLER IS RESPONSIBLE FOR TEST FITTING ALL LIGHTS INTO THE GRILLE GUARD AND MAKING ANY REQUIRED MODIFICATIONS BEFORE THE GUARD IS SENT TO PAINT. THIS GUARD, IF OPTIONED, HAS BEEN DESIGNED TO UTILIZE THE FOLLOWING RIGID INDUSTRIES LIGHTS.

- A) SQ. CHANNEL WITH RIGID INDUSTRIES SR-SERIES 20 INCH LIGHT (33-5/16" POCKET CENTERS)
- B) SQ. CHANNEL NO LIGHT (33-5/16" POCKET CENTERS)

*kelderman*

INSTALLATION WITH BUMPER

- ◆ **THIS SECTION COVERS HOW TO INSTALL A COMMANDER GRILLE GUARD AND ALPHA BUMPER SIMULTANEOUSLY.**
- ◆ SEE **ALPHA SERIES FRONT BUMPER INSTALLATION MANUAL** FOR FACTORY **BUMPER REMOVAL** AND KELDERMAN **BUMPER PREPARATION** INSTRUCTIONS.
- ◆ PERFORM THE STEPS LISTED BELOW IN PLACE OF THE FIRST THREE STEPS IN THE **BUMPER ASSEMBLY** PORTION OF THE KELDERMAN BUMPER INSTALLATION MANUAL.
- ◆ ON A CLEAN FLAT NON-SCRATCHING SURFACE PLACE THE ALPHA BUMPER CENTER SECTION. IF IT'S A DELTA BUMPER THE GRILLE GUARD CAN BE MOUNTED WITH BUMPER ON THE TRUCK.
- ◆ WHEN INSTALLING GRILLE GUARD ON A BUMPER MOUNTED TO THE TRUCK MAKE SURE ONLY BOLT THE (3) INNER BOLTS ON EACH SIDE, AS THE OTHER (4) BOLTS IN THE POCKET WILL BE USED FOR INSTALL GRILL GUARD.

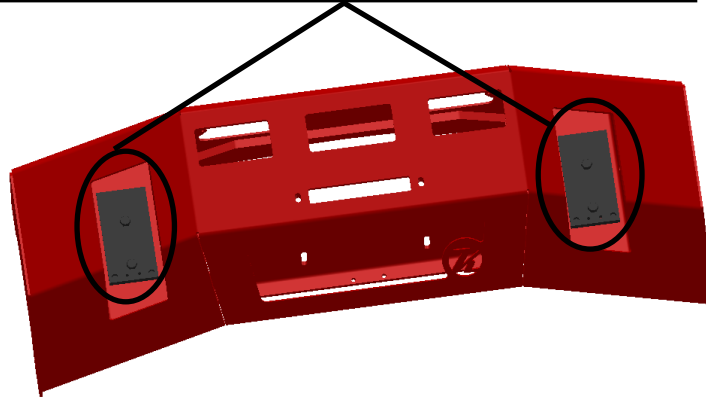
kelderman



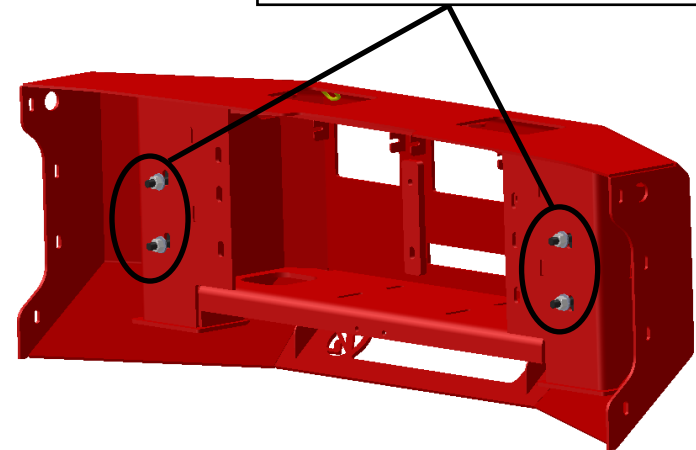
INSTALLATION WITH BUMPER

1. INSTALL PIN LOCK WELDMENTS (#10029406) INTO POCKETS OF THE CENTER SECTION OF BUMPER. HEX NUTS WILL BE USED TO FASTEN DOWN FOR THIS PORTION SO THEY CAN BE REMOVED. THE FINAL PORTION OF INSTALLATION WILL USE LOCK NUTS.

INSTALL PIN LOCK WELDMENTS INTO SLOTS IN THE POCKET OF THE CENTER SECTION OF BUMPER



1/2" 20 HEX NUTS & WASHERS

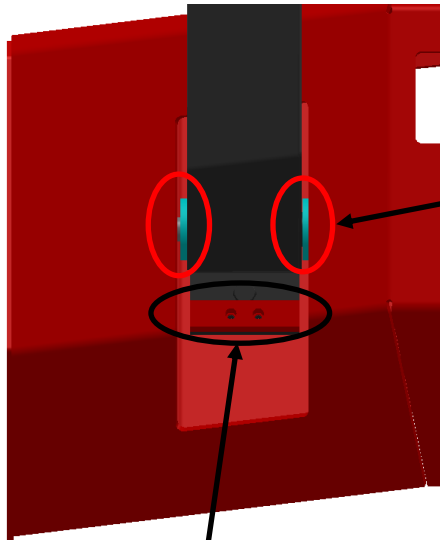


kelderman



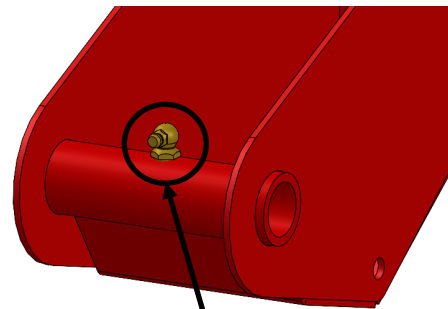
INSTALLATION WITH BUMPER

2. INSTALL HORN WELDMENTS (#10029361-PS & #10029368-DS) TO THE BUMPER POCKETS WITH PROVIDED 7/8"-9 X 7" BOLTS. MAKE SURE TO PUT (2) SEALING WASHERS (#80375) ON EACH SIDE OF THE WELDMENTS AS YOU INSTALL THE BOLT THROUGH THE POCKET. MAKE SURE TO INSTALL GREASE ZERKS (#13284) BEFORE INSTALL HORNS IN BUMPERS.

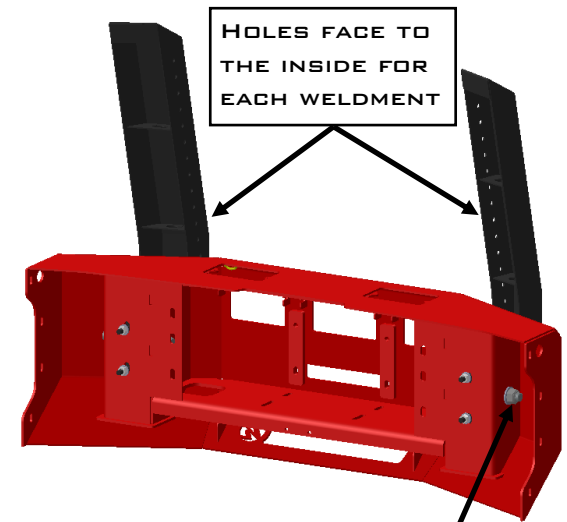


EACH SIDE GETS (2) WASHERS (#80375)

AT THIS POINT THE LARGER BUMPER (#80362) CAN BE INSTALLED ON EACH SIDE WITH 1/4"-20 X 1/2" SOCKET HEAD BOLTS



ZERK ORIENTATION



HOLES FACE TO THE INSIDE FOR EACH WELDMENT

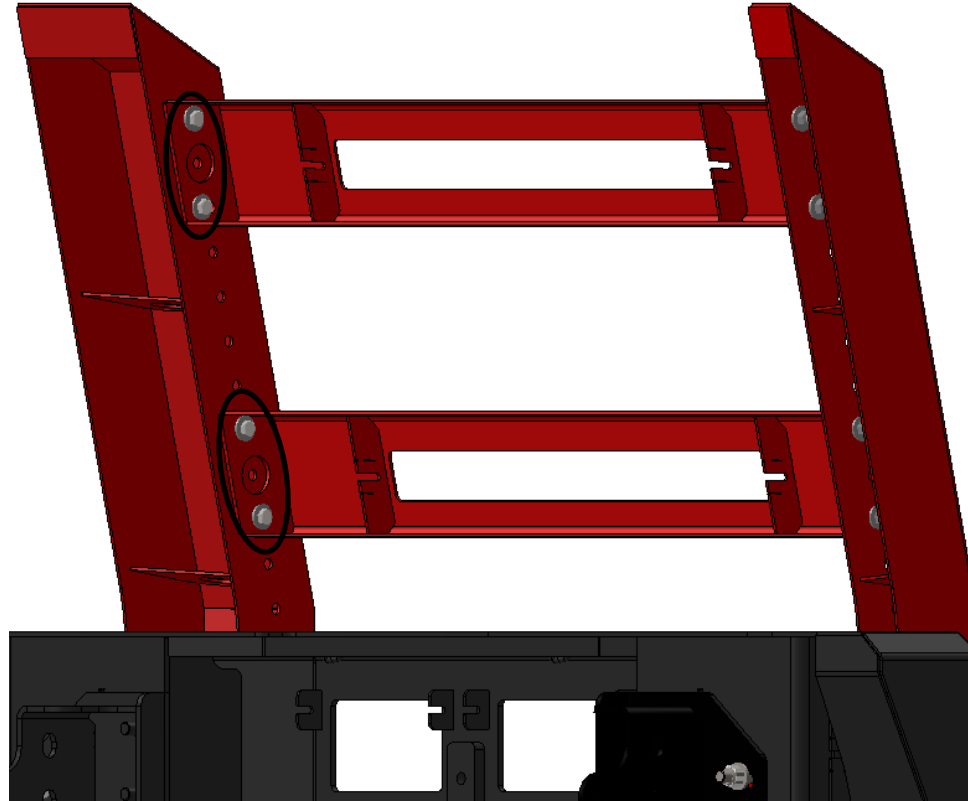
7/8"-9 X 7" BOLT

kelderman



INSTALLATION WITH BUMPER

3. INSTALL (2) SQUARE CHANNEL WELDMENTS (#10029391) WITH 3/8"-16 x 1-1/4" BOLTS, WASHERS & LOCK NUTS. TOP HOLE OF CHANNEL WILL BOLT INTO TOP HOLE OF THE HORN WELDMENT. FOR THE SECOND CHANNEL, LEAVE (4) HOLES IN BETWEEN THE NEXT TOP HOLE OF THE SECOND CHANNEL. INSTALL BOLTS SHOWN BELOW WITH A HOLE IN BETWEEN BOLTS.



kelderman

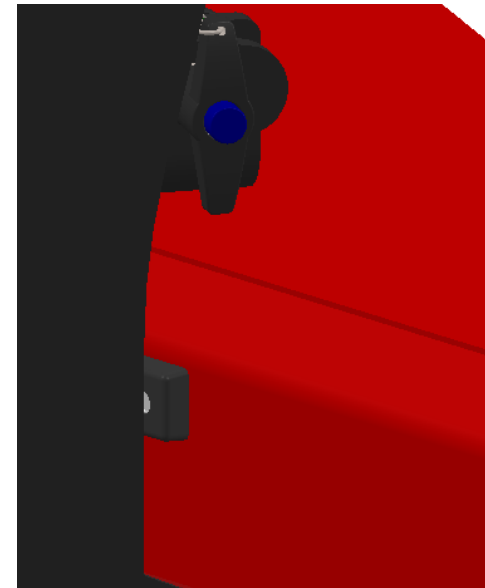
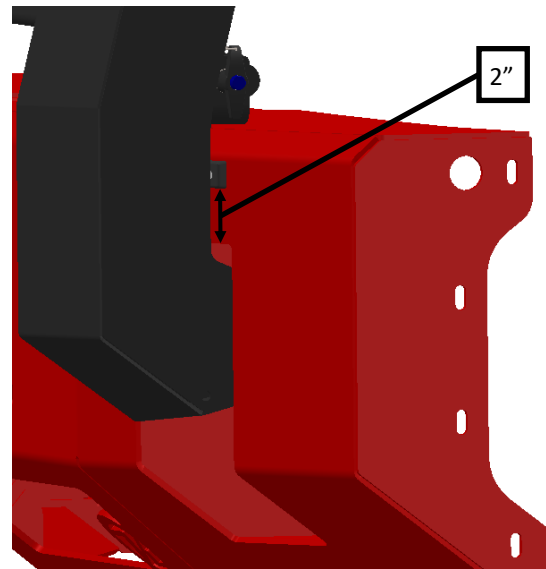


INSTALLATION WITH BUMPER

4. ONCE CHANNELS HAVE BEEN INSTALLED, REMOVE 1/2" HEX BOLTS FROM PIN LOCK WELDMENTS AND REPLACE WITH 1/2" LOCK NUTS AND TIGHTEN DOWN.

5. IF PURCHASED WITH LIGHTS, LOCATE 20" LIGHT BAR AND ASSEMBLE IN CHANNEL OPENING WITH PROVIDED LIGHT HARDWARE. A PIGTAIL WIRING HARNESS WILL BE PROVIDED TO WIRE THE LIGHTS TO THE TRUCK. LOCATE THE LIGHT WIRING DIAGRAM FROM THE LIGHT BOX AND FOLLOW FOR INSTRUCTIONS.

6. INSTALL SMALL BUMPERS ON THE FRONT OF THE PIN LOCK WELDMENTS WITH #10-24 X 3/4" BOLTS, WASHERS, SPLIT LOCK WASHERS AND HEX NUTS. THESE SHOULD KEEP THE GRILLE GUARD TIGHT WHEN PINNED AND AVOID EXCESS RATTLING.

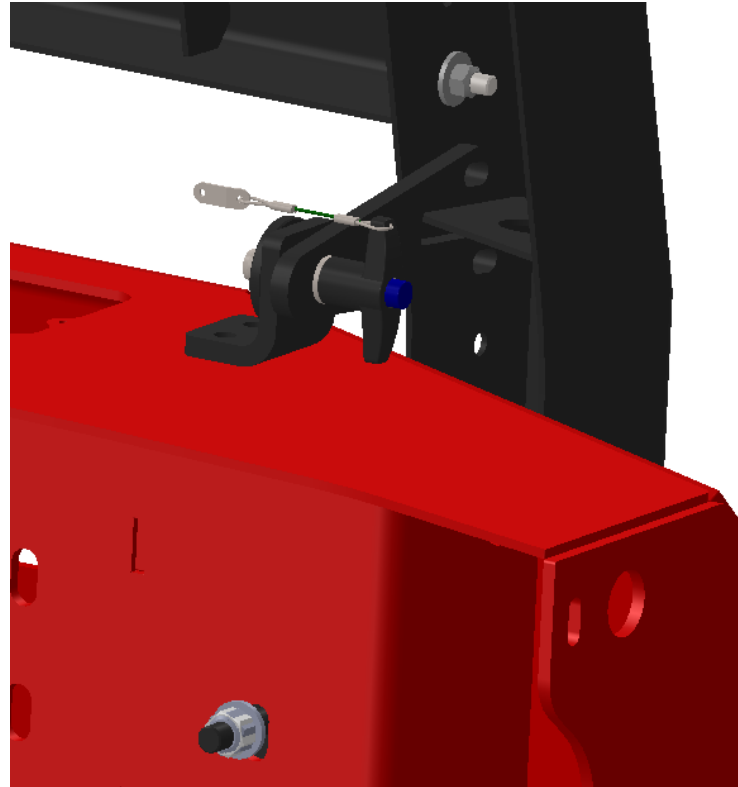


kelderman



INSTALLATION WITH BUMPER

7. INSERT T-HANDLE QUICK RELEASE PIN INTO EACH UPRIGHT AND ATTACH LANYARD TO THE BUMPER OR UPRIGHT SO PIN WON'T GET LOST.



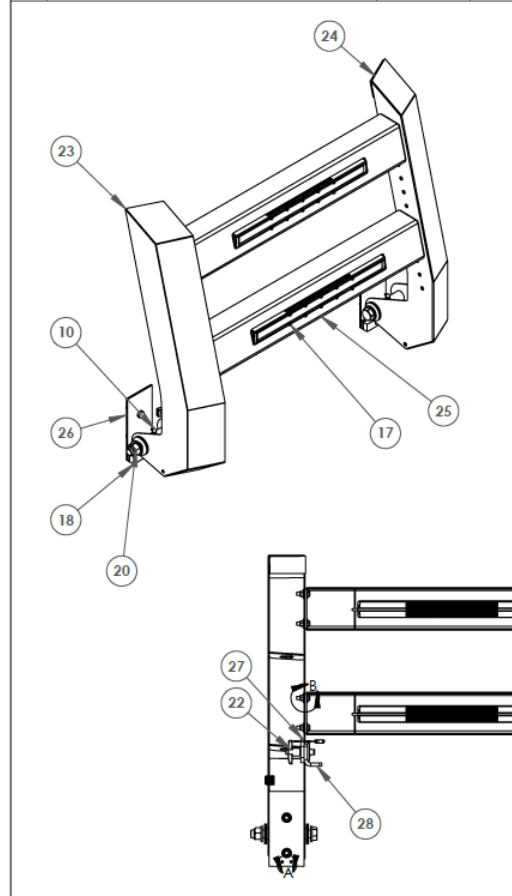
8. CHECK ALL HARDWARE FOR TIGHTNESS AND MAKE SURE TO GREASE THE 7/8" BOLT WITH GREASE ZERK.

kelderman

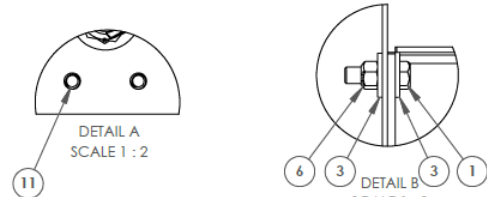


KIT DRAWINGS

REVISIONS			
REV.	DESCRIPTION	DATE	BY
A	Design Change to 10029361, 10029368 & 10029406. Added 80394 & removed 80361	10/31/2024	AWC



ITEM NO.	PART NUMBER	DESCRIPTION	QTY.
1	12212	Hex Bolt - 3/8"-16 x 1-1/4" - GR5 - Z	8
2	12644	Hex Bolt - 7/8"-9 x 7" - GR5 - Z	2
3	13002	Flat Washer USS - 3/8" - GR8 - YZ	16
4	13024	Flat Washer SAE - 1/2" - GR8 - YZ	4
5	13030	Flat Washer SAE - 7/8" - GR8 - YZ	4
6	13102	Top Distorted Thread Lock Nut - 3/8"-16 - GR5 - Z	8
7	13110	Top Distorted Thread Lock Nut - 7/8"-9 - GR5 - Z	2
8	13124	Top Distorted Thread Lock Nut - 1/2"-20 - GR8 - YZ	4
9	13164	Hex Nut - 1/2"-20 - GR8 - YZ	4
10	13284	Grease Zerk - 90° - 1/4"-28 - UNF - Brass	2
11	13503	Socket Head Cap Screw - 1/4-20 x 1/2" - 18-8 SS - Plain	4
12	14062	Flat Washer SAE - #10 - 18-8 SS - Plain	2
13	14086	Split Lock Washer - M10 - 18-8 SS - Plain	1
14	14096	Machine Screw - #10-24 x 3/4" - 18-8 SS - Plain	2
15	14097	Hex Nut - #10-24 - GR5 - Z	2
16	16955	2" OD x .625" ID x .25"	2
17	80165	Purchased - LED Light - SR 20" - Driving - White	2
18	80362	Heavy Duty Unthreaded Bumper - 4" x 1" x 3/4"	2
19	80374	Purchased Part - Unthreaded Bumper - 1" x 1" x 25/64"	2
20	80375	Purchased Part - Abrasion-Resistant Sealing Washer - 2-1/4"OD x 15/16"ID x 1/8"THK	8
21	80378	Retractable Coil Cord, 12/4 SOOW UL/CSA, 1FT Retracted, 5FT Extended	1
22	80394	T-Handle Locking Quick-Release Pin - 5/8"OD x 1" Useable Length - 17-4 PH Stainless Steel	2
23	10029361	Weldment - Push Bar Horn (PS)	1
24	10029368	Weldment - Push Bar Horn (DS)	1
25	10029391	Weldment - Sq. Chanel - 20" SR Light - 33-5/16"	2
26	10029406	Weldment - Pin Lock	2
27	10030853	Plate - Grille Guard Hitch Pin Mount	2
28	10030854	Plate - Grill Guard Hitch Pin Bumper Mount	2



UNLESS OTHERWISE SPEC. DIMS. IN INCHES STD. TOLERANCES X.XX ± .000 X.XXX ± .010 FRACTIONAL ± 1/32" Deg. ± 3°	PROJECT: 2019+ Chevrolet 4500/5500/6500 - Alpha Front Bumper	NOTE: THE DOCUMENT AND ITS CONTENTS ARE THE PROPERTY OF KELDERMAN. NO PARTS OR INFORMATION FROM THIS DOCUMENT ARE TO BE REPRODUCED OR TRANSMITTED IN ANY FORM OR BY ANY MEANS, ELECTRONIC OR MECHANICAL, INCLUDING PHOTOCOPYING, RECORDING, OR BY ANY INFORMATION STORAGE AND RETRIEVAL SYSTEM.	
	PART NUMBER: 10029410		
	DESIGN BY: Alex Catson		
	DATE: 1/14/2023		



NOTES

kelderman



CONTACT INFORMATION**SCAN ME****SCAN QR CODE
FOR KELDERMAN
WARRANTY PAGE**

KELDERMAN MANUFACTURING APPRECIATES YOUR BUSINESS. WE STRIVE TO MEET THE NEEDS OF OUR CUSTOMERS BY PROVIDING THE HIGHEST QUALITY PRODUCTS. IF YOU HAVE ANY QUESTIONS CONCERNING OUR PRODUCTS PLEASE CALL OR EMAIL US AT THE FOLLOWING:

**2686 HIGHWAY 92
OSKALOOSA, IOWA 52577**

**PHONE: 1-800-334-6150
EMAIL: INFO@KELDERMAN.COM**

SEE YOUTUBE PAGE FOR ADDITIONAL VIDEOS:

HTTPS://WWW.YOUTUBE.COM/USER/KELDERMANTRUCKS

kelderman